

REMAX ENERGY Butterfly Valves

Model: RBUV series

Description

Butterfly valves can be used in most liquid product applications in the food-processing, pharmaceutical and chemical industries. The butterfly valve can be operated automatically through an actuator or manually with a handle. The handle blocks the valve in the "open" or "closed" position, although there are also other models with intermediate positions. The actuator transforms the axial movement of the piston into a 90° rotary movement which it transmits to the disc. Compact and robust design. Multi-position handle as standard feature for valves up to DN-100/4". Two - position handle as standard feature for valves starting from DN-100/4". Several models of easily interchangeable manual handles and pneumatic or electric actuators. Low pressure losses. Body halves interchangeable with any connection type.



Features:

size: DN 10 - DN 200

Temperature rating: -10 °C to +120 °C (EPDM) 14 °F to 248 °F
+140 °C (SIP, max. 30 min) 284 °F

Min. working pressure 0,2 bar

Max. working pressure 10 bar (DN 10 - DN 100)
8 bar (DN 125 - DN 150) / 5 bar (DN 200)



Multi position



clamped type



3 piece type



Threaded type



Welding type



Flanged type



Basic type



Position feedback type

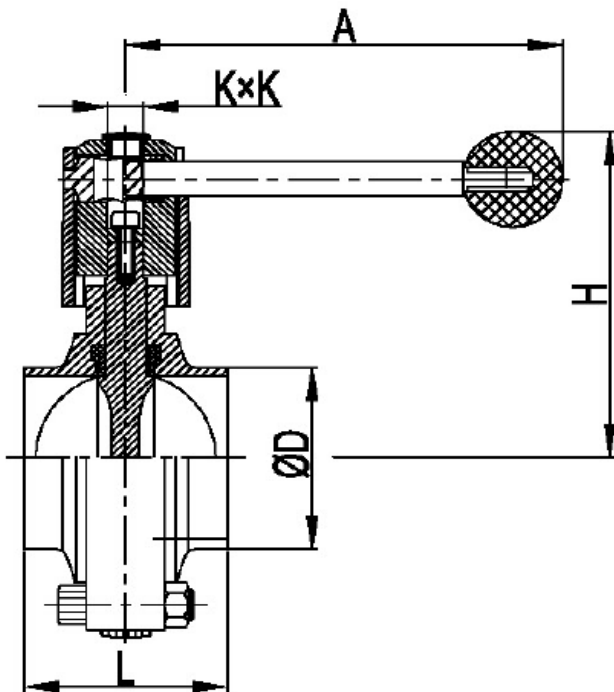


Intelligent type



Positioning type

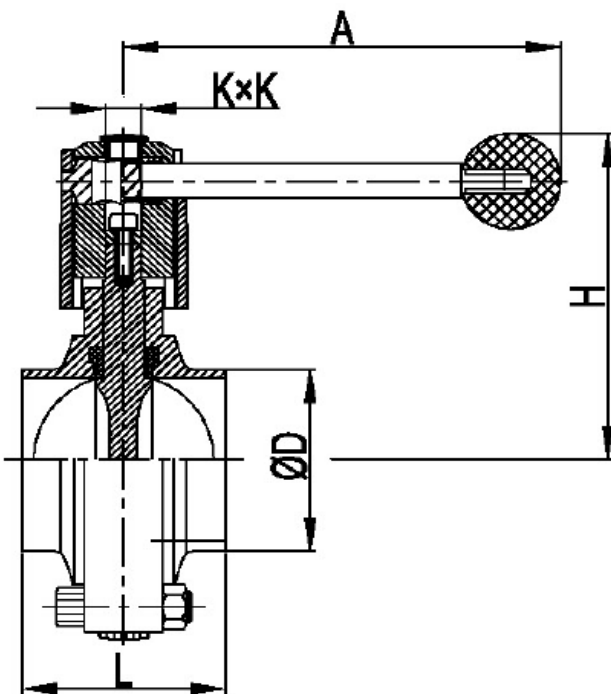
Welded Butterfly Valves Dimensions



DIN

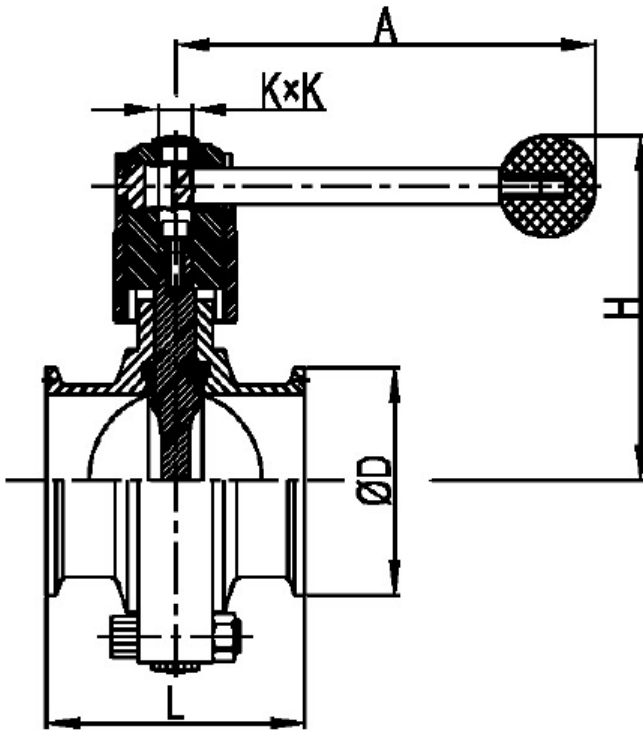
Size	D		K*K	L	A	H
	1	2				
DN20	22	23	8*8	50	135	68
DN25	28	29	8*8	50	135	68
DN32	34	35	8*8	50	135	70
DN40	40	41	8*8	50	135	74
DN50	52	53	10*10	52	135	82
DN65	70	/	10*10	58	135	94
DN80	85	/	10*10	62	160	102
DN100	104	/	10*10	66	160	112
DN125	129	/	12*12	80	210	128
DN150	154	/	12*12	90	210	142
DN200	204	/	14*14	92	315	183

3A / ISO / IDF



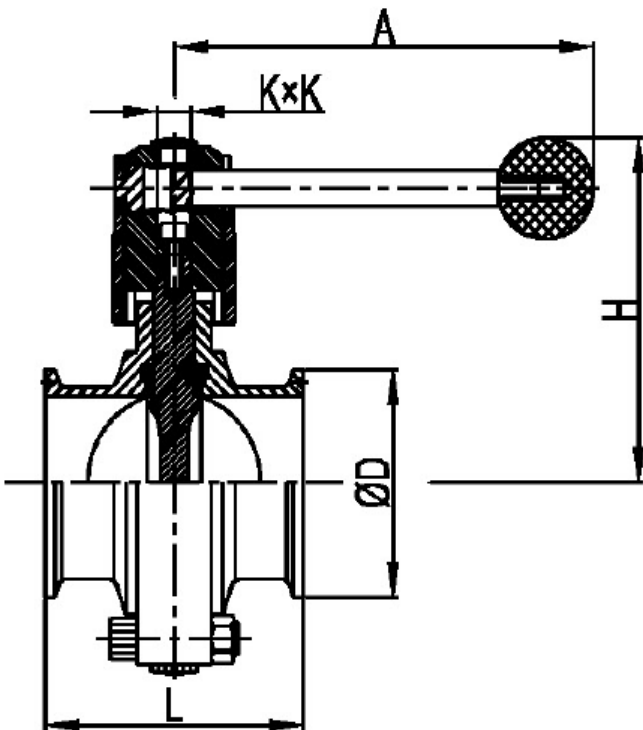
Size	D	K*K	L	A	H
3/4"	19.1	8*8	50	135	68
1"	25.4	8*8	50	135	68
1 1/4"	31.8	8*8	50	135	68
1 1/2"	38.1	8*8	50	135	72
2"	50.8	10*10	52	135	79
2 1/2"	63.5	10*10	56	135	86
3"	76.2	10*10	58	135	96
3 1/2"	88.9	10*10	60	160	102
4"	101.6	10*10	66	160	110
4 1/2"	108	10*10	66	160	112
5"	133	12*12	80	210	128
6"	159	12*12	90	210	147
8"	219	14*14	92	315	183

Clamped Butterfly Valves Dimensions



DIN

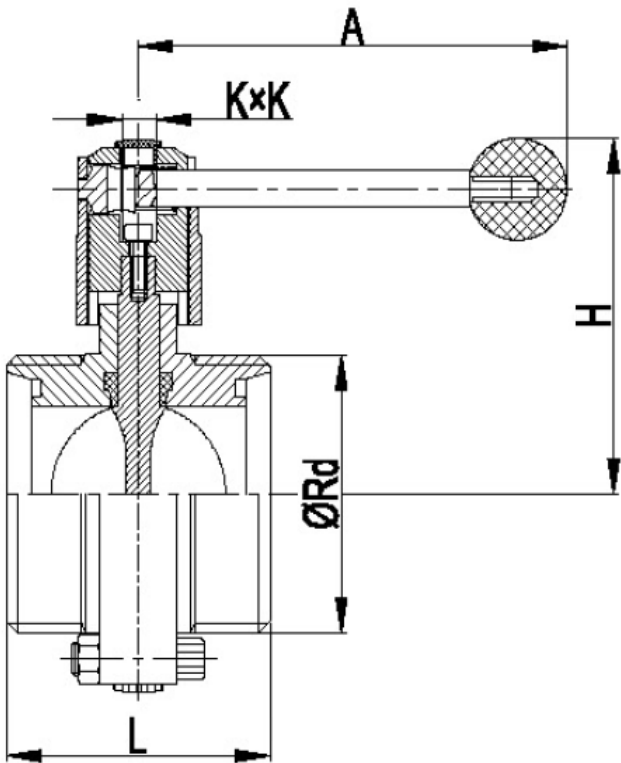
Size	D	K*K	L	A	H
DN20	50.5	8*8	50	135	66
DN25	50.5	8*8	50	135	66
DN32	50.5	8*8	50	135	66
DN40	50.5	8*8	50	135	66
DN50	64	10*10	52	135	72
DN65	91	10*10	58	135	76
DN80	106	10*10	62	160	80
DN100	119	10*10	66	160	90
DN125	145	12*12	80	210	108
DN150	167	12*12	90	210	110
DN200	217.7	14*14	92	315	120



3A / ISO / IDF

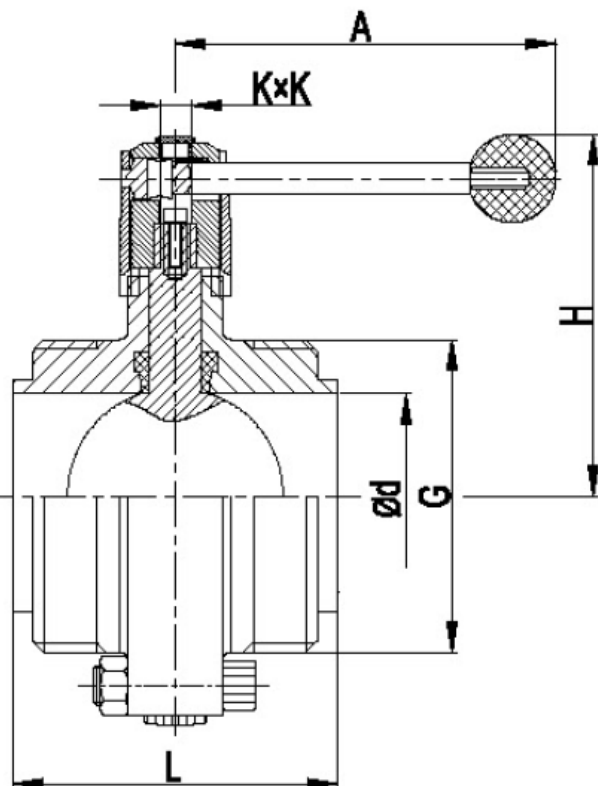
Size	D	K*K	L	A	H
3/4"	50.5	8*8	66	135	68
1"	50.5	8*8	66	135	68
1 1/4"	50.5	8*8	66	135	68
1 1/2"	50.5	8*8	66	135	72
2"	64	10*10	72	135	79
2 1/2"	77.5	10*10	76	135	86
3"	91	10*10	76	135	96
3 1/2"	106	10*10	84	160	102
4"	119	10*10	90	160	110
4 1/2"	119	10*10	90	160	112
5"	145	12*12	108	210	128
6"	183	12*12	110	210	147
8"	233.5	14*14	134	315	183

Threaded Butterfly Valves Dimensions



DIN

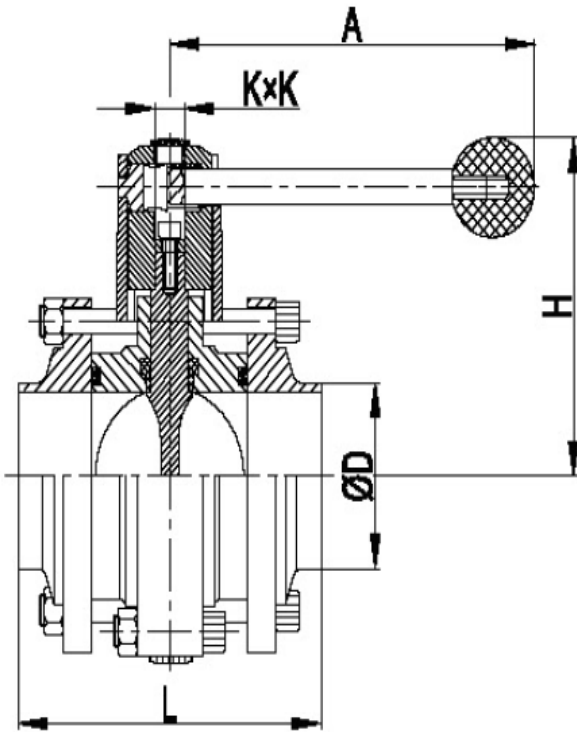
Size	Rd	K*K	L	A	H
DN25	52*1/6"	8*8	68	135	66
DN32	58*1/6"	8*8	68	135	66
DN40	65*1/6"	8*8	72	135	66
DN50	78*1/6"	10*10	76	135	72
DN65	95*1/6"	10*10	80	135	76
DN80	110*1/4"	10*10	90	160	80
DN100	130*1/4"	10*10	100	160	90
DN125	160*1/4"	12*12	143	210	108
DN150	190*1/4"	12*12	160	210	110



ISO / IDF

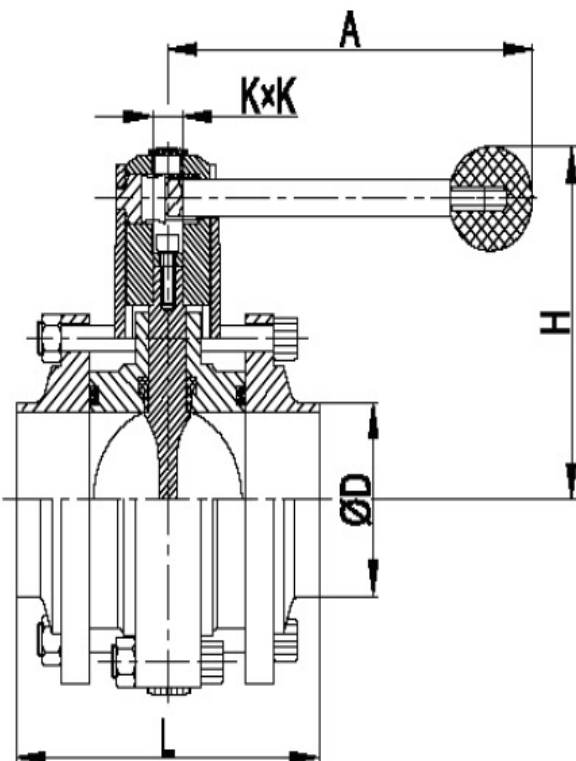
Size	d	G	K*K	L	A	H
1"	22.4	37.1*1/8	8*8	72	135	68
1 1/2"	35.1	50.6*1/8	8*8	76	135	72
2"	47.8	64.1*1/8	10*10	82	135	79
2 1/2"	59.5	77.6*1/8	10*10	86	135	86
3"	72.2	91.1*1/8	10*10	90	135	96
4"	97.6	118.2*1/8	10*10	110	160	110

Three Piece Butterfly Valves Dimensions



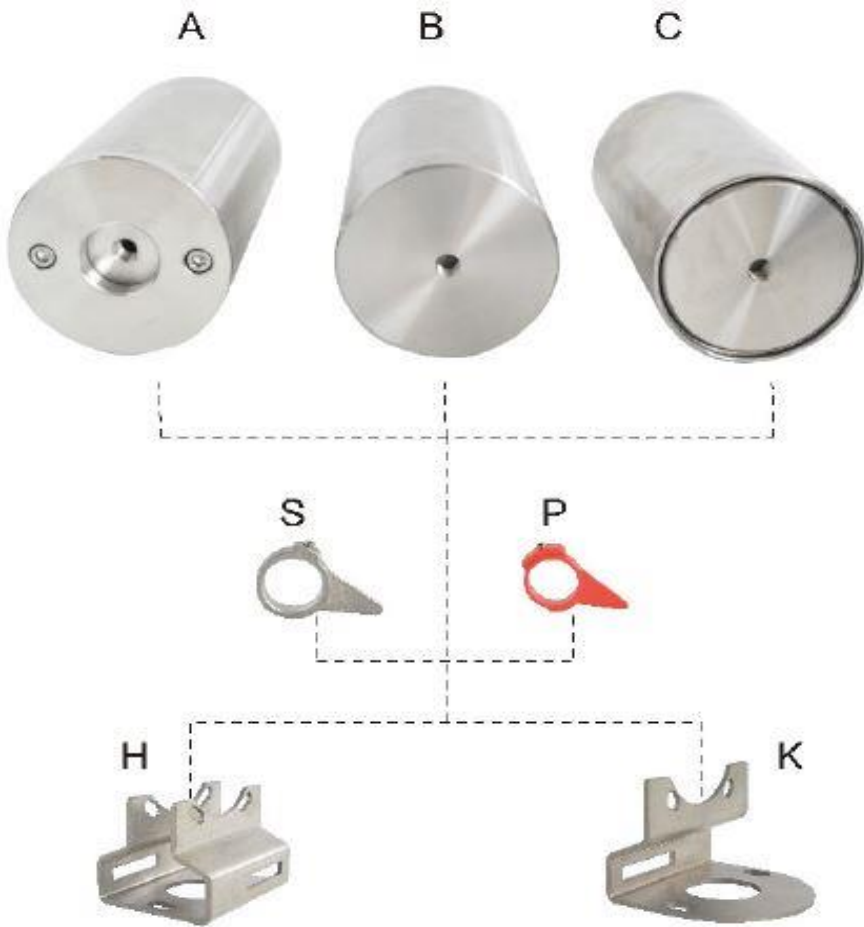
DIN

Size	D		K*K	L	A	H
	1	2				
DN25	28	29	8*8	100	135	68
DN32	34	35	8*8	100	135	70
DN40	40	41	8*8	100	135	74
DN50	52	53	10*10	104	135	82
DN65	70	/	10*10	108	135	94
DN80	85	/	10*10	110	160	102
DN100	104	/	10*10	116	160	112



3A / ISO / IDF

Size	D	K*K	L	A	H
1"	25.4	8*8	100	135	68
1 1/4"	31.8	8*8	100	135	68
1 1/2"	38.1	8*8	100	135	72
2"	50.8	10*10	104	135	79
2 1/2"	63.5	10*10	106	135	86
3"	76.2	10*10	108	135	96
3 1/2"	88.9	10*10	112	160	102
4"	101.6	10*10	116	160	110



A: Double Acting

B: Closed single action

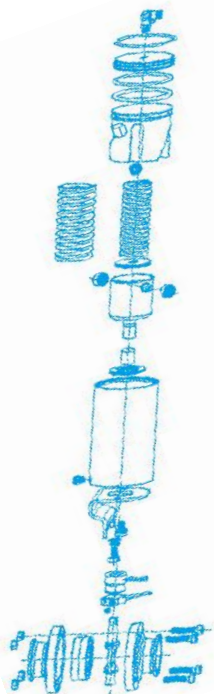
C: Open single action

S: stainless steel needle

P: Plastic pointer

H: Double stents

K: Unilateral stents



Material Table	
Body	AISI304-316L
Handle	AISI 304 - PP
Other st steel parts	AISI 304
Gaskets	EPDM-Silicone-FPM
Internal surface Ra	≤ 0,8 μm
External surface	Machined