

## REMAX ENERGY Ball Valve

**3 piece**  
**Model: RBV3**

### Description

RBV3 series is a manual type sanitary 3-pc ball valve with tri-clamp / tri-clamp ends and Encapsulated PTFE seat, which is extensively used in food & beverage processing, brewing, oil refinery, cosmetic, pharmaceutical, and chemical industries to control medium flow. The Encapsulated PTFE seat design with no residue makes it an optimum choice for sanitary needs, RBV3 ball valve operates manually.



### Features

- Max. working pressure: 145psi (10bar)
- Temperature range: -4 ~ 302°F (-20 ~ 150°C), -22 ~ 392°F (-30 ~ 200°C) option.
- End connections: tri-clamp / tri-clamp, others available upon request.
- Surface treatment: Ra 16 ~ 32µin (0.4 ~ 0.8µm), Ra 32µin is the default

### Options

- End connection can be butt-welded, sanitary tri-clamp, threaded, or others upon request.
- The valve body can be three-way: T type or L type ball core for choose from
- Actuators to reach automatic operation: pneumatic stainless steel actuator (vertical type), pneumatic aluminum actuator (horizontal type), and electric actuator

Electrical actuator



horizontal pneumatic actuator

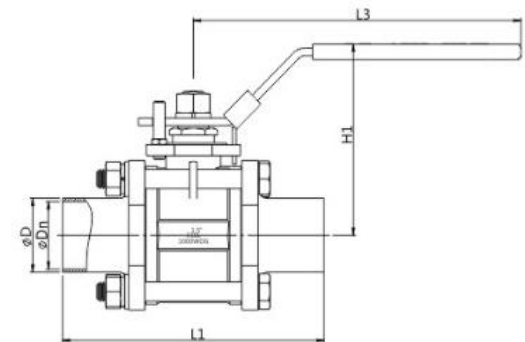
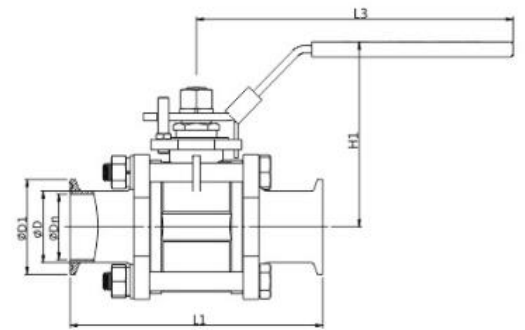


Stainless steel actuator+position sensor



**Dimension:**

Size	D	L1	L3	H1
1/2"	7.5	78	130	55
3/4"	12.7	90	130	60.5
1"	19.1	102	130	64.5
1 1/4"	25.4	114	170	78
1 1/2"	31.8	125	170	87
2"	38.1	138	173	98
2 1/2"	50.8	156	176	107
3"	63.5	170	223	130
3 1/2"	76.7	197	335	153
4"	101.6	242	335	169



Material table	
Body	AISI 304 / 316 / 316L
Seal	PTFE
ball	AISI 316 / 316L
seat	TFM 1600
Bolts	AISI 304
Handle	AISI 304
Spring washers	AISI 304
O-ring	viton

## Design Features

Maintenance-free operation

Compact and portable

Small operating torque

Valve seals and gaskets comply with FDA 177.2600

Manual handle, pneumatic actuator, electric actuator are interchangeable.

Spare parts are available on request

Other connections , size and material is available on request

