



Type 3233 with weld end connection, diaphragm size 8

Type 3233 with clamp connection

## 2/2 way Diaphragm Valve, manually operated, forged valve body, weld end and clamp connection, port connection DN8 - 100

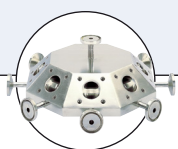
- Hermetical separation of fluids from the operating mechanism by diaphragm
- Zero dead volume
- Various surface finishes
- Quality certifications

Type 3233 can be combined with...



**Type 2031**

Solenoid valve



**Multi-Port Block**



**Type 3233/2031**

Tandem valve

The manually-operated diaphragm valve in compact form of the Type 3233 consists of a flow-optimised stainless steel body with various surface finishes, a diaphragm and a manual actuator.

The material combinations are selectable. The diaphragm is both a switch element and a sealing element to the outside. It can be easily replaced. The flow can be continually adjusted with the handwheel.

The valves have no dead volume and can be mounted to be self-draining. This enables high flow capacities and a variety of applications to be realized. The valves are autoclavable.

### Applications

- Pharma
- Biotechnology
- Food industry

| Technical data  |  |
|---|--|
| <b>Port connection size</b>   | DN6 - DN100 (1/8" - 4")  |
| <b>Diaphragm size</b>   | 8 - 100  |
| <b>Port connections</b>   |  |
| <b>Weld ends acc.</b>   | DIN EN ISO 1127/ISO 4200/DIN11866 B<br>DIN 11850 2/DIN11866 A<br>ASME BPE / DIN 11866 C<br>BS4825<br>SMS 3008<br>DIN 11850 0 |
| <b>Clamps acc.</b>  | DIN 32676 B (with pipe ISO 4200)<br>DIN 32676 A (with pipe DIN 11850 2)<br>ASME BPE<br>further port connections on request   |
| <b>Materials</b>  |  |
| <b>Body</b>   | Stainless steel 316L / 1.4435 / BN2  |
| <b>Actuator</b>   | Handwheel / Bonnet   |
| Diaphragm size 8  | PPS (Stainless steel on request) / Stainless steel   |
| Diaphragm size 15 - 50  | PPS (Stainless steel on request) / PPS (Stainless steel on request)  |
| Diaphragm size 80 - 100   | Stainless steel / Stainless steel  |
| <b>Diaphragm materials</b>  | EPDM (AB), PTFE/EPDM (EA)<br>EPDM (AD), advanced PTFE/EPDM (EU), GYLON®/EPDM laminated (ER) and FKM (FF) on request          |
| <b>Media</b>  | Neutral gases and liquids, high-purity, sterile, aggressive or abrasive fluids   |
| <b>Viscosity</b>  | Up to viscous  |
| <b>Surface finish</b>   |  |
| internally electropolished<br>(external surface forged electropolished) | Ra ≤ 0.38 µm (ASME BPE SF4)  |
| internally mechanically polished<br>(external surface forged)           | Ra ≤ 0.5 µm (ASME BPE SF1)   |
| <b>Medium temperature</b>   |  |
| EPDM (AB), PTFE/EPDM (EA)   | -10 to +130 °C (steam sterilisation +140 °C for 60 min)  |
| EPDM (AD), advanced PTFE/EPDM (EU)                                      | -5 to +143 °C (steam sterilisation +150 °C for 60 min)   |
| GYLON®/EPDM laminated (ER)  | -5 to +130 °C (steam sterilisation +140 °C for 60 min)   |
| FKM (FF)  | 0 to +130 °C (not recommended for steam)   |
| <b>Ambient temperature</b>  | up to +130 °C (briefly up to +150 °C)  |
| <b>Installation</b>   | As required, preferably with actuator in upright position  |

## Technical data, pressure

| Port Connection DN |        | Dia-<br>phragm<br>size | Max. media<br>pressure<br>[bar] | K <sub>v</sub> value [m <sup>3</sup> /h]   |                            |                         |        |         |             |
|--------------------|--------|------------------------|---------------------------------|--|----------------------------|-------------------------|--------|---------|-------------|
| [mm]               | [inch] |                        |                                 | DIN EN ISO 1127<br>ISO 4200<br>DIN 11866 B | DIN 11850 2<br>DIN 11866 A | ASME BPE<br>DIN 11866 C | BS4825 | SMS3008 | DIN 11850 0 |
| 6                  | ¼"     | 8                      | 10                              | -  | -                          | -                       | -      | -       | 1.1         |
| 8                  | ¼"     | 8                      | 10                              | 1.5  | -                          | 0.7                     | 0.5    | -       | 1.7         |
| 10                 | ⅜"     | 8                      | 10                              | 1.5  | 1.5                        | 1.6                     | 1.4    | -       | -           |
| 15                 | ½"     | 8                      | 10                              | -  | -                          | 1.5                     | -      | -       | -           |
| 10                 | ⅜"     | 15                     | 10                              | 5.5  | 3.5                        | -                       | -      | -       | -           |
| 15                 | ½"     | 15                     | 10                              | 6.5  | 6.5                        | 3.1                     | 3.7    | -       | -           |
| 20                 | ¾"     | 15                     | 10                              | -  | -                          | 6.5                     | -      | -       | -           |
| 20                 | ¾"     | 20                     | 10                              | 12.5                                       | 12.4                       | 8.4                     | 8.9    | -       | -           |
| 25                 | 1"     | 25                     | 10                              | 18   | 20                         | 15.5                    | 15.5   | 16      | -           |
| 32                 | 1 ¼"   | 40                     | 10                              | -  | 34                         | -                       | -      | -       | -           |
| 40                 | 1 ½"   | 40                     | 10                              | 41   | 40                         | 37                      | 37     | 37.8    | -           |
| 50                 | 2"     | 50                     | 7                               | 66   | 66                         | 66                      | 66     | 66      | -           |
| 65                 | 2 ½"   | 50                     | 7                               | -  | -                          | 66                      | 66     | 66      | -           |
| 65                 | 2 ½"   | 80                     | 10                              | 160  | 160                        | 160                     | 160    | -       | -           |
| 80                 | 3"     | 80                     | 10                              | 160  | 160                        | 160                     | 160    | 160     | -           |
| 100                | 4"     | 100                    | 6                               | 235  | 235                        | 235                     | 235    | -       | -           |

**Flow rate:** K<sub>v</sub> value [m<sup>3</sup>/h] for elastomer diaphragms measured at 20 °C and 1 bar pressure drop at mean operating pressure

**Pressure values:** Overpressure to the atmospheric pressure. valve closes dynamically against max. operating pressure

## Approvals

### Suitable for foodstuffs / sterile applications



- The composition of the EPDM (AB), EPDM (AD), Gylon®/EPDM laminated (ER) and advanced PTFE (EU) diaphragms corresponds to the Code of Federal Regulations, published by the FDA (Food and Drug Administration, USA).



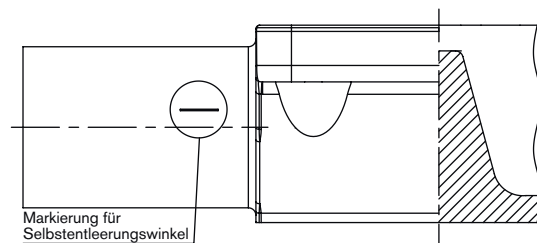
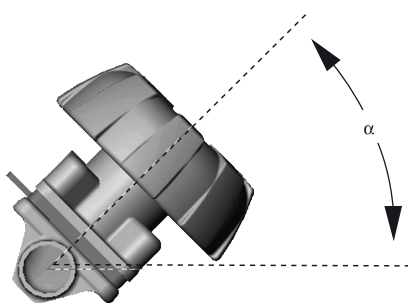
- The composition of the EPDM (AB), EPDM (AD), Gylon®/EPDM laminated (ER), PTFE/EPDM (EA) and advanced PTFE (EU) diaphragms is suitable for the application with food and beverage (acc. to EC-Regulation 1935/2004/EC)

- The composition of the EPDM (AB), EPDM (AD), Gylon®/EPDM laminated (ER), PTFE/EPDM (EA) und advanced PTFE (EU) diaphragms are approved acc. USP Class VI



- Diaphragm valve according to 3-A approved on request (3-A Sanitary Standards Symbol Administrative Council)

## Installation for self-draining operation



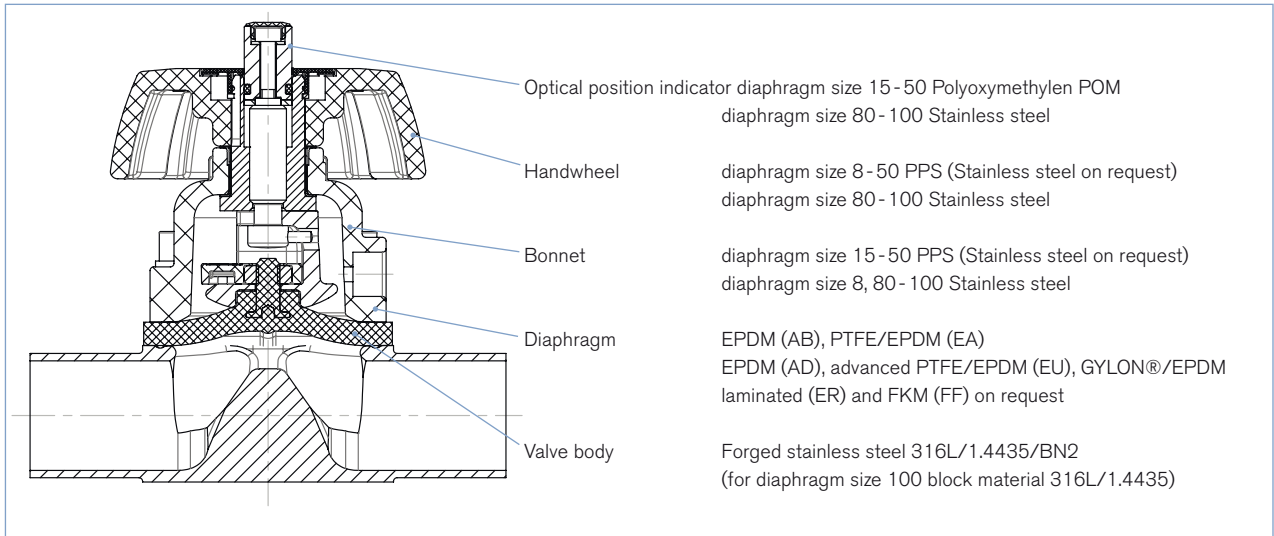
$\alpha$  = see dimensions, body label (Marking must face upwards, 12 o'clock position)

plus 1° to 5° inclination to the pipe axis.

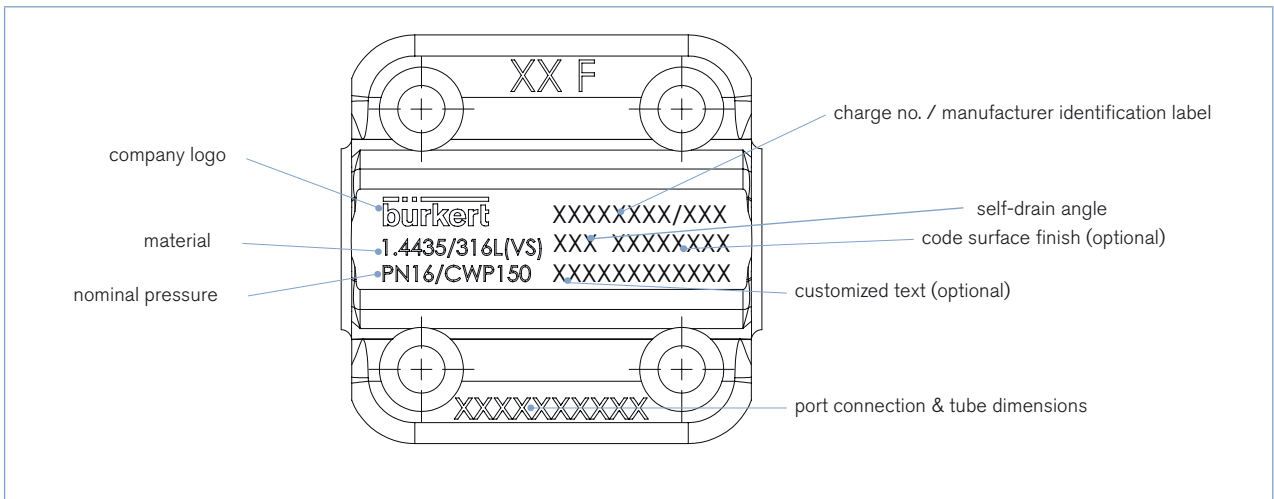
Drain marks permanently marked on both sides of the valve body show the correct mounting position to optimise drain ability.

**Materials**

**Diaphragm size 8 - 50**



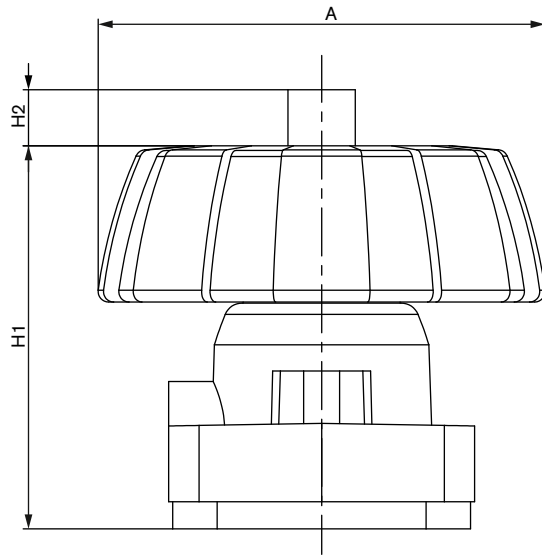
**Body label**



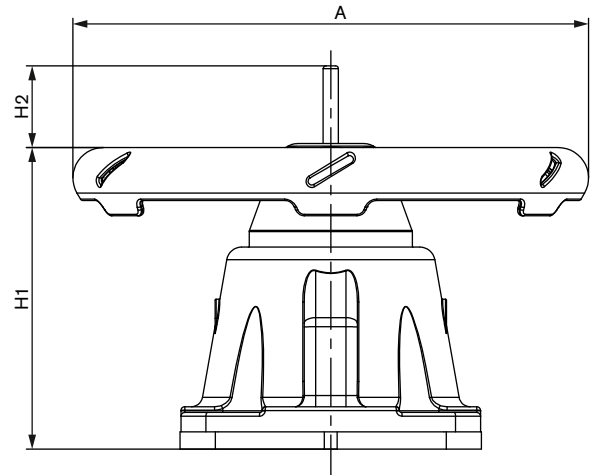
## Dimensions [mm]

## Actuator

Diaphragm size 8 - 50



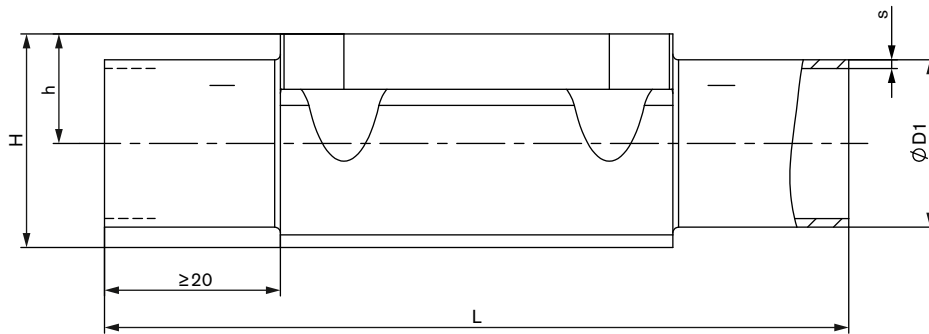
Diaphragm size 80 - 100



| Diaphragm size | H1   | H2 | ØA  |
|----------------|------|----|-----|
| 8              | 46.5 | -  | 35  |
| 15             | 70   | 7  | 86  |
| 20             | 73   | 11 | 86  |
| 25             | 75   | 12 | 86  |
| 40             | 88   | 19 | 114 |
| 50             | 97   | 25 | 114 |
| 80             | 161  | 43 | 272 |
| 100            | 161  | 49 | 272 |

## Dimensions [mm]

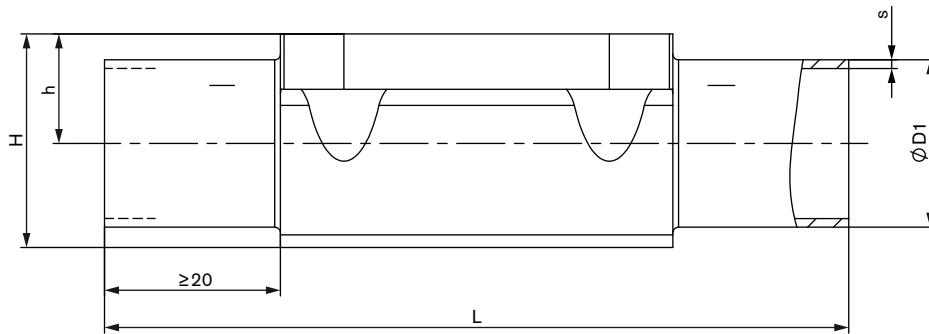
forged body - weld end



| Port Connection DN                              |        | Diaphragm Size | ØD1    | s    | h  | H   | L   | self-drain angle $\alpha$ |
|---|--------|----------------|--------|------|----|-----|-----|---------------------------|
| [mm]  | [inch] |                |        |      |    |     |     |                           |
| <b>DIN EN ISO 1127 / ISO 4200 / DIN 11866 B</b> |        |                |        |      |    |     |     |                           |
| 8   | ¼"     | 8              | 13.5   | 1.6  | 9  | 19  | 90  | 24                        |
| 10  | ⅜"     | 8              | 17.2   | 1.6  | 9  | 19  | 90  | 13                        |
| 10  | ⅜"     | 15             | 17.2   | 1.6  | 12 | 24  | 110 | 25                        |
| 15  | ½"     | 15             | 21.3   | 1.6  | 12 | 24  | 110 | 18                        |
| 20  | ¾"     | 20             | 26.9   | 1.6  | 16 | 30  | 119 | 17                        |
| 25  | 1"     | 25             | 33.7   | 2.0  | 19 | 37  | 129 | 19                        |
| 40  | 1 ½"   | 40             | 48.3   | 2.0  | 28 | 52  | 161 | 14                        |
| 50  | 2"     | 50             | 60.3   | 2.0  | 36 | 68  | 192 | 14                        |
| 65  | 2 ½"   | 80             | 76.1   | 2.0  | 51 | 98  | 250 | 20                        |
| 80  | 3"     | 80             | 88.9   | 2.3  | 51 | 98  | 250 | 15                        |
| 100   | 4"     | 100            | 114.3  | 2.3  | 64 | 127 | 295 | 13.5                      |
| <b>DIN 11850 2 / DIN 11866 A</b>                |        |                |        |      |    |     |     |                           |
| 10  | ⅜"     | 8              | 13.0   | 1.5  | 9  | 19  | 90  | 24                        |
| 10  | ⅜"     | 15             | 13.0   | 1.5  | 8  | 20  | 110 | 40                        |
| 15  | ½"     | 15             | 19.0   | 1.5  | 12 | 24  | 110 | 22                        |
| 20  | ¾"     | 20             | 23.0   | 1.5  | 16 | 30  | 119 | 22                        |
| 25  | 1"     | 25             | 29.0   | 1.5  | 19 | 37  | 129 | 23                        |
| 32  | 1 ¼"   | 40             | 35.0   | 1.5  | 28 | 52  | 161 | 26                        |
| 40  | 1 ½"   | 40             | 41.0   | 1.5  | 28 | 52  | 161 | 20                        |
| 50  | 2"     | 50             | 53.0   | 1.5  | 36 | 68  | 192 | 18                        |
| 65  | 2 ½"   | 80             | 70.0   | 2.0  | 51 | 98  | 250 | 22.5                      |
| 80  | 3"     | 80             | 85.0   | 2.0  | 51 | 98  | 250 | 16                        |
| 100   | 4"     | 100            | 104.0  | 2.0  | 64 | 127 | 295 | 17                        |
| <b>ASME BPE / DIN 11866 C</b>                   |        |                |        |      |    |     |     |                           |
| 8   | ¼"     | 8              | 6.35   | 0.89 | 6  | 15  | 78  | 48                        |
| 10  | ⅜"     | 8              | 9.53   | 0.89 | 6  | 15  | 89  | 39                        |
| 15  | ½"     | 8              | 12.70  | 1.65 | 9  | 19  | 89  | 26                        |
| 15  | ½"     | 15             | 12.70  | 1.65 | 8  | 20  | 108 | 41                        |
| 20  | ¾"     | 15             | 19.05  | 1.65 | 12 | 24  | 108 | 22                        |
| 20  | ¾"     | 20             | 19.05  | 1.65 | 16 | 30  | 117 | 29                        |
| 25  | 1"     | 25             | 25.40  | 1.65 | 19 | 37  | 127 | 27                        |
| 40  | 1 ½"   | 40             | 38.10  | 1.65 | 28 | 52  | 159 | 24                        |
| 50  | 2"     | 50             | 50.80  | 1.65 | 36 | 68  | 190 | 20                        |
| 65  | 2 ½"   | 50             | 63.50  | 1.65 | 36 | 68  | 192 | 11                        |
| 65  | 2 ½"   | 80             | 63.50  | 1.65 | 51 | 98  | 250 | 25                        |
| 80  | 3"     | 80             | 76.20  | 1.65 | 51 | 98  | 250 | 19                        |
| 100   | 4"     | 100            | 101.60 | 2.11 | 64 | 127 | 295 | 18                        |

Dimensions [mm], *continued*

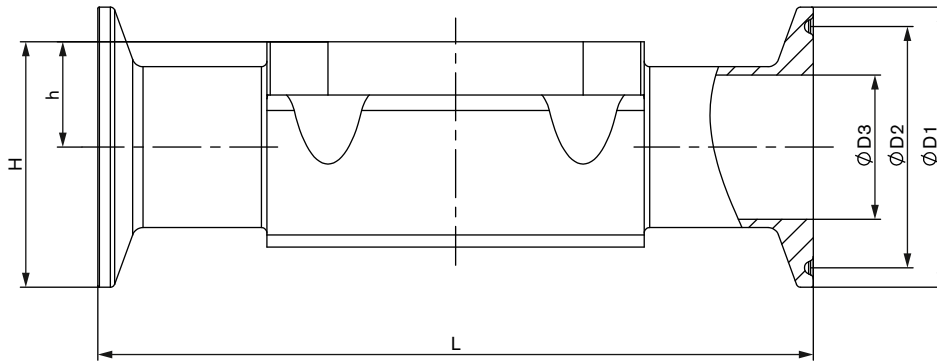
forged body - weld end



| Port Connection DN |        | Diaphragm Size | ØD1    | s    | h  | H   | L   | self-drain angle $\alpha$ |
|--------------------|--------|----------------|--------|------|----|-----|-----|---------------------------|
| [mm]               | [inch] |                |        |      |    |     |     |                           |
| <b>BS 4825</b>     |        |                |        |      |    |     |     |                           |
| 8                  | ¼"     | 8              | 6.35   | 1.20 | 6  | 15  | 78  | 50                        |
| 10                 | ⅜"     | 8              | 9.53   | 1.20 | 6  | 15  | 89  | 42                        |
| 15                 | ½"     | 15             | 12.70  | 1.20 | 8  | 20  | 108 | 40                        |
| 20                 | ¾"     | 20             | 19.05  | 1.20 | 16 | 30  | 117 | 28                        |
| 25                 | 1"     | 25             | 25.40  | 1.65 | 19 | 37  | 127 | 27                        |
| 40                 | 1 ½"   | 40             | 38.10  | 1.65 | 28 | 52  | 159 | 24                        |
| 50                 | 2"     | 50             | 50.80  | 1.65 | 36 | 68  | 190 | 20                        |
| 65                 | 2 ½"   | 50             | 63.50  | 1.65 | 36 | 68  | 192 | 11                        |
| 65                 | 2 ½"   | 80             | 63.50  | 1.65 | 51 | 98  | 250 | 25                        |
| 80                 | 3"     | 80             | 76.20  | 1.65 | 51 | 98  | 250 | 19                        |
| 100                | 4"     | 100            | 101.60 | 2.11 | 64 | 127 | 295 | 18                        |
| <b>SMS 3008</b>    |        |                |        |      |    |     |     |                           |
| 25                 | 1"     | 25             | 25.0   | 1.2  | 19 | 37  | 129 | 27                        |
| 40                 | 1 ½"   | 40             | 38.0   | 1.2  | 28 | 52  | 161 | 22                        |
| 50                 | 2"     | 50             | 51.0   | 1.2  | 36 | 68  | 192 | 19                        |
| 65                 | 2 ½"   | 50             | 63.5   | 1.6  | 36 | 68  | 192 | 11                        |
| 80                 | 3"     | 80             | 76.1   | 1.6  | 51 | 98  | 250 | 19                        |
| <b>DIN 11850 0</b> |        |                |        |      |    |     |     |                           |
| 6                  | ⅛"     | 8              | 8.0    | 1.0  | 6  | 15  | 90  | 44                        |
| 8                  | ¼"     | 8              | 10.0   | 1.0  | 6  | 15  | 90  | 39                        |

## Dimensions [mm]

## Forged body - Clamp



| Port Connection DN                       |        | Diaphragm Size | ØD1    | s    | Cl    | ØD2   | h  | H   | L   | self-drain angle $\alpha$ |
|--|--------|----------------|--------|------|-------|-------|----|-----|-----|---------------------------|
| [mm]                                     | [inch] |                |        |      |       |       |    |     |     |                           |
| <b>DIN 32676 B with pipe EN ISO 4200</b> |        |                |        |      |       |       |    |     |     |                           |
| 15                                       | ½"     | 15             | 21.3   | 1.6  | 50.5  | 18.1  | 12 | 37  | 167 | 18                        |
| 20                                       | ¾"     | 20             | 26.9   | 1.6  | 50.5  | 23.7  | 16 | 41  | 114 | 17                        |
| 25                                       | 1"     | 25             | 33.7   | 2.0  | 50.5  | 29.7  | 19 | 44  | 129 | 19                        |
| 40                                       | 1 ½"   | 40             | 48.3   | 2.0  | 64.0  | 44.3  | 28 | 60  | 161 | 14                        |
| 50                                       | 2"     | 50             | 60.3   | 2.0  | 77.5  | 56.3  | 36 | 74  | 190 | 14                        |
| <b>DIN 32676 A with pipe DIN 11850 2</b> |        |                |        |      |       |       |    |     |     |                           |
| 10                                       | ⅜"     | 15             | 13.0   | 1.5  | 34.0  | 10.0  | 8  | 25  | 110 | 40                        |
| 15                                       | ½"     | 15             | 19.0   | 1.5  | 34.0  | 16.0  | 12 | 29  | 110 | 22                        |
| 20                                       | ¾"     | 20             | 23.0   | 1.5  | 34.0  | 20.0  | 16 | 33  | 119 | 22                        |
| 25                                       | 1"     | 25             | 29.0   | 1.5  | 50.5  | 26.0  | 19 | 44  | 129 | 23                        |
| 40                                       | 1 ½"   | 40             | 41.0   | 1.5  | 50.5  | 38.0  | 28 | 53  | 161 | 20                        |
| 50                                       | 2"     | 50             | 53.0   | 1.5  | 64.0  | 50.0  | 36 | 68  | 192 | 18                        |
| <b>ASME BPE</b>                          |        |                |        |      |       |       |    |     |     |                           |
| 8  | ¼"     | 8              | 6.35   | 0.89 | 25.0  | 4.57  | 6  | 18  | 64  | 48                        |
| 10                                       | ⅜"     | 8              | 9.53   | 0.89 | 25.0  | 7.75  | 6  | 18  | 89  | 39                        |
| 15                                       | ½"     | 8              | 12.70  | 1.65 | 25.0  | 9.4   | 9  | 22  | 89  | 26                        |
| 15                                       | ½"     | 15             | 12.70  | 1.65 | 25.0  | 9.4   | 8  | 21  | 89  | 41                        |
| 20                                       | ¾"     | 20             | 19.05  | 1.65 | 25.0  | 15.75 | 16 | 29  | 102 | 29                        |
| 25                                       | 1"     | 25             | 25.40  | 1.65 | 50.5  | 22.1  | 19 | 44  | 114 | 27                        |
| 40                                       | 1 ½"   | 40             | 38.10  | 1.65 | 50.5  | 34.8  | 28 | 53  | 140 | 24                        |
| 50                                       | 2"     | 50             | 50.80  | 1.65 | 64.0  | 47.5  | 36 | 68  | 159 | 20                        |
| 65                                       | 2 ½"   | 50             | 63.50  | 1.65 | 77.5  | 60.2  | 36 | 74  | 190 | 11                        |
| 65                                       | 2 ½"   | 80             | 63.50  | 1.65 | 77.5  | 60.2  | 51 | 98  | 216 | 25                        |
| 80                                       | 3"     | 80             | 76.20  | 1.65 | 91.0  | 72.9  | 51 | 98  | 222 | 19                        |
| 100                                      | 4"     | 100            | 101.60 | 2.11 | 119.0 | 97.38 | 64 | 127 | 306 | 18                        |

## Ordering chart for valves (other versions on request)

## Welded connection acc. EN ISO 1127 / ISO 4200 / DIN11866 B

Certification of Conformity for Raw Material EN-ISO 10204 3.1 (included in delivery)

| Port Connection DN                       |        | Diaphragm size<br>[mm] | Actuator material<br>Handwheel<br>/ Bonnet | K <sub>v</sub> value [m <sup>3</sup> /h] | Max. operating<br>pressure [bar] | Article no.                                       |   |
|--|--------|------------------------|--|--|----------------------------------|---|---|
| [mm]                                     | [inch] |                        |  |  |                                  | mechani-<br>cally pol-<br>ished<br>Ra ≤ 0.5<br>µm | electropol-<br>ished<br>Ra ≤ 0.38<br>µm |
| <b>diaphragm material EPDM (AB)</b>      |        |                        |  |  |                                  |   |   |
| 8  | ¼"     | 8                      | PPS / Stainless steel                      | 1.5                                      | 10                               | 446182  | 446183                                  |
| 10                                       | ⅜"     | 8                      | PPS / Stainless steel                      | 1.5                                      | 10                               | 446187  | 446188                                  |
| 10                                       | ⅜"     | 15                     | PPS / PPS                                  | 5.5                                      | 10                               | 449930  | 554176                                  |
| 15                                       | ½"     | 15                     | PPS / PPS                                  | 6.5                                      | 10                               | 445503  | 445504                                  |
| 20                                       | ¾"     | 20                     | PPS / PPS                                  | 12.5                                     | 10                               | 445508  | 445509                                  |
| 25                                       | 1"     | 25                     | PPS / PPS                                  | 18                                       | 10                               | 445513  | 445514                                  |
| 40                                       | 1 ½"   | 40                     | PPS / PPS                                  | 41                                       | 10                               | 445518  | 445519                                  |
| 50                                       | 2"     | 50                     | PPS / PPS                                  | 66                                       | 10                               | 445523  | 445524                                  |
| 65                                       | 2 ½"   | 80                     | Stainless steel / Stainless steel          | 160                                      | 10                               | 254349  | 273309                                  |
| 80                                       | 3"     | 80                     | Stainless steel / Stainless steel          | 160                                      | 10                               | on request  | 273310                                  |
| 100                                      | 4"     | 100                    | Stainless steel / Stainless steel          | 235                                      | 6                                | on request  | on request                              |
| <b>diaphragm material PTFE/EPDM (EA)</b> |        |                        |  |  |                                  |   |   |
| 8  | ¼"     | 8                      | PPS / Stainless steel                      | 2  | 10                               | 446217  | 446218                                  |
| 10                                       | ⅜"     | 8                      | PPS / Stainless steel                      | 2  | 10                               | 446222  | 446223                                  |
| 10                                       | ⅜"     | 15                     | PPS / PPS                                  | 5.2                                      | 10                               | 299713  | 299688                                  |
| 15                                       | ½"     | 15                     | PPS / PPS                                  | 6  | 10                               | 445538  | 445539                                  |
| 20                                       | ¾"     | 20                     | PPS / PPS                                  | 12                                       | 10                               | 445543  | 445544                                  |
| 25                                       | 1"     | 25                     | PPS / PPS                                  | 16                                       | 10                               | 445548  | 445549                                  |
| 40                                       | 1 ½"   | 40                     | PPS / PPS                                  | 40                                       | 10                               | 445553  | 445554                                  |
| 50                                       | 2"     | 50                     | PPS / PPS                                  | 67                                       | 10                               | 445558  | 445559                                  |
| 65                                       | 2 ½"   | 80                     | Stainless steel / Stainless steel          | 160                                      | 10                               | on request  | 273312                                  |
| 80                                       | 3"     | 80                     | Stainless steel / Stainless steel          | 160                                      | 10                               | on request  | 270877                                  |
| 100                                      | 4"     | 100                    | Stainless steel / Stainless steel          | 235                                      | 6                                | on request  | on request                              |

 Further versions on request
**Material**

Diaphragms for sterilization with steam EPDM (AD), advanced PTFE/EPDM (EU) and GYLON®/EPDM laminated (ER) and FKM (FF)

Handwheel and bonnet in stainless steel



## Ordering chart for valves (other versions on request)

## Welded connection acc. DIN 11866 A / DIN 11850 2

Certification of Conformity for Raw Material EN-ISO 10204 3.1 (included in delivery)

| Port Connection DN                       |        | Diaphragm size [mm] | Actuator material<br>Handwheel /<br>Bonnet | K <sub>v</sub> value [m <sup>3</sup> /h] | Max. operating pressure [bar] | Article no.                       |                              |
|--|--------|---------------------|--|--|-------------------------------|-----------------------------------|------------------------------|
| [mm]                                     | [inch] |                     |  |  |                               | mechanically polished Ra ≤ 0.5 μm | electropolished Ra ≤ 0.38 μm |
| <b>diaphragm material EPDM (AB)</b>      |        |                     |  |  |                               |                                   |                              |
| 10                                       | 3/8"   | 8                   | PPS / Stainless steel                      | 1.5                                      | 10                            | 445462                            | 446322                       |
| 10                                       | 3/8"   | 15                  | PPS / PPS                                  | 3.5                                      | 10                            | 299708                            | 299686                       |
| 15                                       | 1/2"   | 15                  | PPS / PPS                                  | 6.5                                      | 10                            | 445638                            | 445639                       |
| 20                                       | 3/4"   | 20                  | PPS / PPS                                  | 12.4                                     | 10                            | 445643                            | 445644                       |
| 25                                       | 1"     | 25                  | PPS / PPS                                  | 20                                       | 10                            | 445648                            | 445649                       |
| 32                                       | 1 1/4" | 40                  | PPS / PPS                                  | 34                                       | 10                            | 554981                            | 554982                       |
| 40                                       | 1 1/2" | 40                  | PPS / PPS                                  | 40                                       | 10                            | 445653                            | 445654                       |
| 50                                       | 2"     | 50                  | PPS / PPS                                  | 66                                       | 10                            | 445658                            | 445659                       |
| 65                                       | 2 1/2" | 80                  | Stainless steel / Stainless steel          | 160                                      | 10                            | on request                        | 273315                       |
| 80                                       | 3"     | 80                  | Stainless steel / Stainless steel          | 160                                      | 10                            | on request                        | 273316                       |
| 100                                      | 4"     | 100                 | Stainless steel / Stainless steel          | 235                                      | 6                             | on request                        | on request                   |
| <b>diaphragm material PTFE/EPDM (EA)</b> |        |                     |  |  |                               |                                   |                              |
| 10                                       | 3/8"   | 8                   | PPS / Stainless steel                      | 1.9                                      | 10                            | 447340                            | 446351                       |
| 10                                       | 3/8"   | 15                  | PPS / PPS                                  | 3.4                                      | 10                            | 299709                            | 299687                       |
| 15                                       | 1/2"   | 15                  | PPS / PPS                                  | 6  | 10                            | 445668                            | 445669                       |
| 20                                       | 3/4"   | 20                  | PPS / PPS                                  | 12                                       | 10                            | 445673                            | 445674                       |
| 25                                       | 1"     | 25                  | PPS / PPS                                  | 17                                       | 10                            | 445678                            | 445679                       |
| 32                                       | 1 1/4" | 40                  | PPS / PPS                                  | 34                                       | 10                            | 554991                            | 554992                       |
| 40                                       | 1 1/2" | 40                  | PPS / PPS                                  | 40                                       | 10                            | 445683                            | 445684                       |
| 50                                       | 2"     | 50                  | PPS / PPS                                  | 66                                       | 10                            | 445688                            | 445689                       |
| 65                                       | 2 1/2" | 80                  | Stainless steel / Stainless steel          | 160                                      | 10                            | on request                        | 273321                       |
| 80                                       | 3"     | 80                  | Stainless steel / Stainless steel          | 160                                      | 10                            | 258261                            | 273322                       |
| 100                                      | 4"     | 100                 | Stainless steel / Stainless steel          | 235                                      | 6                             | on request                        | on request                   |

 Further versions on request
**Material**

Diaphragms for sterilization with steam EPDM (AD), advanced PTFE/EPDM (EU) and GYLON®/EPDM laminated (ER) and FKM (FF)

Handwheel and bonnet in stainless steel

## Ordering chart for valves (other versions on request)

## Welded connection acc. ASME BPE

Certification of Conformity for Raw Material EN-ISO 10204 3.1 (included in delivery)

| Port Connection DN                       |        |     | Diaphragm size [mm]               | Actuator material<br>Handwheel /<br>Bonnet | K <sub>v</sub> value [m <sup>3</sup> /h] | Max. operating pressure [bar] [bar] | Article no.                       |                              |
|--|--------|-----|-----------------------------------|--|--|-------------------------------------|-----------------------------------|------------------------------|
| [mm]                                     | [inch] |     |                                   |  |  |                                     | mechanically polished Ra ≤ 0.5 μm | electropolished Ra ≤ 0.38 μm |
| <b>diaphragm material EPDM (AB)</b>      |        |     |                                   |  |  |                                     |                                   |                              |
| 8  | ¼"     | 8   | PPS / Stainless steel             | 0.7  | 10                                       | 447975                              | 447976                            |                              |
| 10                                       | ⅜"     | 8   | PPS / Stainless steel             | 1.6  | 10                                       | 447980                              | 447981                            |                              |
| 15                                       | ½"     | 8   | PPS / Stainless steel             | 1.5  | 10                                       | 299699                              | 299672                            |                              |
| 15                                       | ½"     | 15  | PPS / PPS                         | 3.1  | 10                                       | 445573                              | 445574                            |                              |
| 20                                       | ¾"     | 15  | PPS / PPS                         | 6.5  | 10                                       | 250478                              | 299683                            |                              |
| 20                                       | ¾"     | 20  | PPS / PPS                         | 8.4  | 10                                       | 445578                              | 445579                            |                              |
| 25                                       | 1"     | 25  | PPS / PPS                         | 15.5                                       | 10                                       | 445583                              | 445584                            |                              |
| 40                                       | 1 ½"   | 40  | PPS / PPS                         | 37   | 10                                       | 445588                              | 445589                            |                              |
| 50                                       | 2"     | 50  | PPS / PPS                         | 66   | 10                                       | 445593                              | 445594                            |                              |
| 65                                       | 2 ½"   | 50  | PPS / PPS                         | 66   | 10                                       | 299722                              | 266030                            |                              |
| 65                                       | 2 ½"   | 80  | Stainless steel / Stainless steel | 160  | 10                                       | 271331                              | on request                        |                              |
| 80                                       | 3"     | 80  | Stainless steel / Stainless steel | 160  | 10                                       | on request                          | on request                        |                              |
| 100                                      | 4"     | 100 | Stainless steel / Stainless steel | 235  | 6  | on request                          | on request                        |                              |
| <b>diaphragm material PTFE/EPDM (EA)</b> |        |     |                                   |  |  |                                     |                                   |                              |
| 8  | ¼"     | 8   | PPS / Stainless steel             | 0.7  | 10                                       | 447995                              | 447996                            |                              |
| 10                                       | ⅜"     | 8   | PPS / Stainless steel             | 1.8  | 10                                       | 448000                              | 448001                            |                              |
| 15                                       | ½"     | 8   | PPS / Stainless steel             | 1.9  | 10                                       | 558789                              | 299673                            |                              |
| 15                                       | ½"     | 15  | PPS / PPS                         | 3.1  | 10                                       | 445608                              | 445609                            |                              |
| 20                                       | ¾"     | 15  | PPS / PPS                         | 6  | 10                                       | 250482                              | 299684                            |                              |
| 20                                       | ¾"     | 20  | PPS / PPS                         | 8.5  | 10                                       | 445613                              | 445614                            |                              |
| 25                                       | 1"     | 25  | PPS / PPS                         | 14.5                                       | 10                                       | 445618                              | 445619                            |                              |
| 40                                       | 1 ½"   | 40  | PPS / PPS                         | 37.5                                       | 10                                       | 445623                              | 445624                            |                              |
| 50                                       | 2"     | 50  | PPS / PPS                         | 66   | 10                                       | 445628                              | 445629                            |                              |
| 65                                       | 2 ½"   | 50  | PPS / PPS                         | 66   | 10                                       | 551115                              | 246098                            |                              |
| 65                                       | 2 ½"   | 80  | Stainless steel / Stainless steel | 160  | 10                                       | 276777                              | on request                        |                              |
| 80                                       | 3"     | 80  | Stainless steel / Stainless steel | 160  | 10                                       | 274778                              | 260493                            |                              |
| 100                                      | 4"     | 100 | Stainless steel / Stainless steel | 235  | 6  | on request                          | on request                        |                              |

 Further versions on request
**Material**

Diaphragms for sterilization with steam EPDM (AD), advanced PTFE/EPDM (EU) and GYLON®/EPDM laminated (ER) and FKM (FF)

Handwheel and bonnet in stainless steel

## Ordering chart for valves (other versions on request)

## Welded connection acc. BS4825

Certification of Conformity for Raw Material EN-ISO 10204 3.1 (included in delivery)

| Port Connection DN                       |        | Diaphragm size [mm] | Actuator material<br>Handwheel /<br>Bonnet | K <sub>v</sub> value<br>[m <sup>3</sup> /h] | Max. operating pressure<br>[bar] [bar] | Article no.                             |                                    |
|--|--------|---------------------|--|---|--|---|------------------------------------|
| [mm]                                     | [inch] |                     |  |   |  | mechanically polished<br>Ra ≤ 0.5<br>µm | electropolished<br>Ra ≤ 0.38<br>µm |
| <b>diaphragm material EPDM (AB)</b>      |        |                     |  |   |  |   |                                    |
| 8  | ¼"     | 8                   | PPS / Stainless steel                      | 0.5   | 10                                     | 446252                                  | 446253                             |
| 10                                       | ⅜"     | 8                   | PPS / Stainless steel                      | 1.4   | 10                                     | 446257                                  | 446258                             |
| 15                                       | ½"     | 15                  | PPS / PPS                                  | 3.7   | 10                                     | 447925                                  | 447926                             |
| 20                                       | ¾"     | 20                  | PPS / PPS                                  | 8.9   | 10                                     | 447930                                  | 447931                             |
| 25                                       | 1"     | 25                  | PPS / PPS                                  | 15.5  | 10                                     | 445583                                  | 445584                             |
| 40                                       | 1 ½"   | 40                  | PPS / PPS                                  | 37  | 10                                     | 445588                                  | 445589                             |
| 50                                       | 2"     | 50                  | PPS / PPS                                  | 66  | 10                                     | 445593                                  | 445594                             |
| 65                                       | 2 ½"   | 50                  | PPS / PPS                                  | 66  | 10                                     | 299722                                  | 266030                             |
| 65                                       | 2 ½"   | 80                  | Stainless steel / Stainless steel          | 160   | 10                                     | 271331                                  | on request                         |
| 80                                       | 3"     | 80                  | Stainless steel / Stainless steel          | 160   | 10                                     | on request                              | on request                         |
| 100                                      | 4"     | 100                 | Stainless steel / Stainless steel          | 235   | 6                                      | on request                              | on request                         |
| <b>diaphragm material PTFE/EPDM (EA)</b> |        |                     |  |   |  |   |                                    |
| 8  | ¼"     | 8                   | PPS / Stainless steel                      | 0.5   | 10                                     | 446287                                  | 446288                             |
| 10                                       | ⅜"     | 8                   | PPS / Stainless steel                      | 1.6   | 10                                     | 446292                                  | 446293                             |
| 15                                       | ½"     | 15                  | PPS / PPS                                  | 3.6   | 10                                     | 447945                                  | 447946                             |
| 20                                       | ¾"     | 20                  | PPS / PPS                                  | 8.8   | 10                                     | 447950                                  | 447951                             |
| 25                                       | 1"     | 25                  | PPS / PPS                                  | 14.5  | 10                                     | 445618                                  | 445619                             |
| 40                                       | 1 ½"   | 40                  | PPS / PPS                                  | 37.5  | 10                                     | 445623                                  | 445624                             |
| 50                                       | 2"     | 50                  | PPS / PPS                                  | 66  | 10                                     | 445628                                  | 445629                             |
| 65                                       | 2 ½"   | 50                  | PPS / PPS                                  | 66  | 10                                     | 551115                                  | 246098                             |
| 65                                       | 2 ½"   | 80                  | Stainless steel / Stainless steel          | 160   | 10                                     | 276777                                  | on request                         |
| 80                                       | 3"     | 80                  | Stainless steel / Stainless steel          | 160   | 10                                     | 274778                                  | 260493                             |
| 100                                      | 4"     | 100                 | Stainless steel / Stainless steel          | 235   | 6                                      | on request                              | on request                         |

**i** Further versions on request**Material**

Diaphragms for sterilization with steam EPDM (AD), advanced PTFE/EPDM (EU) and GYLON®/EPDM laminated (ER) and FKM (FF)

Handwheel and bonnet in stainless steel

## Ordering chart for valves (other versions on request)

## Welded connection acc. SMS 3008

Certification of Conformity for Raw Material EN-ISO 10204 3.1 (included in delivery)

| Port Connection DN                       |        |    | Diaphragm size [mm] | Actuator material Handwheel / Bonnet | K <sub>v</sub> value [m <sup>3</sup> /h] | Max. operating pressure [bar] [bar] | Article no.                       |                              |
|--|--------|----|---------------------|--------------------------------------|--|-------------------------------------|-----------------------------------|------------------------------|
| [mm]                                     | [inch] |    |                     |                                      |  |                                     | mechanically polished Ra ≤ 0.5 μm | electropolished Ra ≤ 0.38 μm |
| <b>diaphragm material EPDM (AB)</b>      |        |    |                     |                                      |  |                                     |                                   |                              |
| 25                                       | 1"     | 25 |                     | PPS / PPS                            | 16                                       | 10                                  | 445693                            | 445694                       |
| 40                                       | 1 ½"   | 40 |                     | PPS / PPS                            | 37.8                                     | 10                                  | 445698                            | 445699                       |
| 50                                       | 2"     | 50 |                     | PPS / PPS                            | 66                                       | 10                                  | 445703                            | 445704                       |
| 65                                       | 2 ½"   | 50 |                     | PPS / PPS                            | 66                                       | 10                                  | 449820                            | 551557                       |
| 80                                       | 3"     | 80 |                     | Stainless steel / Stainless steel    | 160                                      | 10                                  | on request                        | 273326                       |
| <b>diaphragm material PTFE/EPDM (EA)</b> |        |    |                     |                                      |  |                                     |                                   |                              |
| 25                                       | 1"     | 25 |                     | PPS / PPS                            | 14.8                                     | 10                                  | 445708                            | 445709                       |
| 40                                       | 1 ½"   | 40 |                     | PPS / PPS                            | 38                                       | 10                                  | 445713                            | 445714                       |
| 50                                       | 2"     | 50 |                     | PPS / PPS                            | 66                                       | 10                                  | 445718                            | 445719                       |
| 65                                       | 2 ½"   | 50 |                     | PPS / PPS                            | 66                                       | 10                                  | 551561                            | 551562                       |
| 80                                       | 3"     | 80 |                     | Stainless steel / Stainless steel    | 160                                      | 10                                  | on request                        | 273328                       |

## Welded connection acc. DIN 11850 0

Certification of Conformity for Raw Material EN-ISO 10204 3.1 (included in delivery)

| Port Connection DN                       |        |   | Diaphragm size [mm] | Actuator material Handwheel / Bonnet | K <sub>v</sub> value [m <sup>3</sup> /h] | Max. operating pressure [bar] [bar] | Article no.                       |                              |
|--|--------|---|---------------------|--------------------------------------|--|-------------------------------------|-----------------------------------|------------------------------|
| [mm]                                     | [inch] |   |                     |                                      |  |                                     | mechanically polished Ra ≤ 0.5 μm | electropolished Ra ≤ 0.38 μm |
| <b>diaphragm material EPDM (AB)</b>      |        |   |                     |                                      |  |                                     |                                   |                              |
| 8  | ¼"     | 8 |                     | PPS / Stainless steel                | 1.1                                      | 10                                  | 299701                            | 299678                       |
| 10                                       | ⅜"     | 8 |                     | PPS / Stainless steel                | 1.7                                      | 10                                  | 299703                            | 181775                       |
| <b>diaphragm material PTFE/EPDM (EA)</b> |        |   |                     |                                      |  |                                     |                                   |                              |
| 8  | ¼"     | 8 |                     | PPS / Stainless steel                | 1.1                                      | 10                                  | 299702                            | 299679                       |
| 10                                       | ⅜"     | 8 |                     | PPS / Stainless steel                | 1.9                                      | 10                                  | 299704                            | 299680                       |

## Clamp connection acc. DIN 32676 B (with pipe ISO 4200)

Certification of Conformity for Raw Material EN-ISO 10204 3.1 (included in delivery)

| Port Connection DN                       |        |    | Diaphragm size [mm] | Actuator material Handwheel / Bonnet | K <sub>v</sub> value [m <sup>3</sup> /h] | Max. operating pressure [bar] [bar] | Article no.                       |                              |
|--|--------|----|---------------------|--------------------------------------|--|-------------------------------------|-----------------------------------|------------------------------|
| [mm]                                     | [inch] |    |                     |                                      |  |                                     | mechanically polished Ra ≤ 0.5 μm | electropolished Ra ≤ 0.38 μm |
| <b>diaphragm material EPDM (AB)</b>      |        |    |                     |                                      |  |                                     |                                   |                              |
| 15                                       | ½"     | 15 |                     | PPS / PPS                            | 6.5                                      | 10                                  | 299710                            | 299689                       |
| 20                                       | ¾"     | 20 |                     | PPS / PPS                            | 12.5                                     | 10                                  | 299714                            | 299691                       |
| 25                                       | 1"     | 25 |                     | PPS / PPS                            | 18                                       | 10                                  | 299718                            | 553714                       |
| 40                                       | 1 ½"   | 40 |                     | PPS / PPS                            | 41                                       | 10                                  | 299720                            | 299695                       |
| 50                                       | 2"     | 50 |                     | PPS / PPS                            | 66                                       | 10                                  | 299723                            | 299697                       |
| <b>diaphragm material PTFE/EPDM (EA)</b> |        |    |                     |                                      |  |                                     |                                   |                              |
| 15                                       | ½"     | 15 |                     | PPS / PPS                            | 6  | 10                                  | 299712                            | 299690                       |
| 20                                       | ¾"     | 20 |                     | PPS / PPS                            | 12                                       | 10                                  | 299716                            | 299692                       |
| 25                                       | 1"     | 25 |                     | PPS / PPS                            | 16                                       | 10                                  | 299719                            | 299693                       |
| 40                                       | 1 ½"   | 40 |                     | PPS / PPS                            | 40                                       | 10                                  | 299721                            | 299696                       |
| 50                                       | 2"     | 50 |                     | PPS / PPS                            | 67                                       | 10                                  | 299724                            | 299698                       |



## Further versions on request



## Material

Diaphragms for sterilization with steam EPDM (AD), advanced PTFE/EPDM (EU) and GYLON®/EPDM laminated (ER) and FKM (FF)

Handwheel and bonnet in stainless steel

## Ordering chart for valves (other versions on request)

## Clamp connection acc. DIN 32676 A (with pipe DIN 11850 2)

Certification of Conformity for Raw Material EN-ISO 10204 3.1 (included in delivery)

| Port Connection DN                       |        |    | Diaphragm size [mm] | Actuator material Handwheel / Bonnet | K <sub>v</sub> value [m <sup>3</sup> /h] | Max. operating pressure [bar] | Article no.                       |                              |
|--|--------|----|---------------------|--------------------------------------|--|-------------------------------|-----------------------------------|------------------------------|
| [mm]                                     | [inch] |    |                     |                                      |  |                               | mechanically polished Ra ≤ 0.5 μm | electropolished Ra ≤ 0.38 μm |
| <b>diaphragm material (AB)</b>           |        |    |                     |                                      |  |                               |                                   |                              |
| 10                                       | 3/8"   | 15 |                     | PPS / PPS                            | 3.5                                      | 10                            | 299705                            | 299681                       |
| 15                                       | 1/2"   | 15 |                     | PPS / PPS                            | 6.5                                      | 10                            | 445893                            | 445894                       |
| 20                                       | 3/4"   | 20 |                     | PPS / PPS                            | 12.4                                     | 10                            | 445898                            | 445899                       |
| 25                                       | 1"     | 25 |                     | PPS / PPS                            | 20                                       | 10                            | 445903                            | 445904                       |
| 40                                       | 1 1/2" | 40 |                     | PPS / PPS                            | 34                                       | 10                            | 445908                            | 445909                       |
| 50                                       | 2"     | 50 |                     | PPS / PPS                            | 40                                       | 10                            | 445913                            | 445914                       |
| <b>diaphragm material PTFE/EPDM (EA)</b> |        |    |                     |                                      |  |                               |                                   |                              |
| 10                                       | 3/8"   | 15 |                     | PPS / PPS                            | 3.4                                      | 10                            | 299706                            | 299682                       |
| 15                                       | 1/2"   | 15 |                     | PPS / PPS                            | 6  | 10                            | 445918                            | 445919                       |
| 20                                       | 3/4"   | 20 |                     | PPS / PPS                            | 12                                       | 10                            | 445923                            | 445924                       |
| 25                                       | 1"     | 25 |                     | PPS / PPS                            | 17                                       | 10                            | 445928                            | 445929                       |
| 40                                       | 1 1/2" | 40 |                     | PPS / PPS                            | 34                                       | 10                            | 445933                            | 445934                       |
| 50                                       | 2"     | 50 |                     | PPS / PPS                            | 40                                       | 10                            | 445938                            | 445939                       |

## Clamp connection acc. ASME BPE

Certification of Conformity for Raw Material EN-ISO 10204 3.1 (included in delivery)

| Port Connection DN                       |        |     | Diaphragm size [mm] | Actuator material Handwheel / Bonnet | K <sub>v</sub> value [m <sup>3</sup> /h] | Max. operating pressure [bar] | Article no.                       |                              |
|--|--------|-----|---------------------|--------------------------------------|--|-------------------------------|-----------------------------------|------------------------------|
| [mm]                                     | [inch] |     |                     |                                      |  |                               | mechanically polished Ra ≤ 0.5 μm | electropolished Ra ≤ 0.38 μm |
| <b>diaphragm material EPDM (AB)</b>      |        |     |                     |                                      |  |                               |                                   |                              |
| 8  | 1/4"   | 8   |                     | PPS / Stainless steel                | 0.7                                      | 10                            | 446510                            | 446511                       |
| 10                                       | 3/8"   | 8   |                     | PPS / Stainless steel                | 1.6                                      | 10                            | 446515                            | 446516                       |
| 15                                       | 1/2"   | 8   |                     | PPS / Stainless steel                | 1.5                                      | 10                            | 299700                            | 299674                       |
| 15                                       | 1/2"   | 15  |                     | PPS / PPS                            | 3.1                                      | 10                            | 445868                            | 445869                       |
| 20                                       | 3/4"   | 20  |                     | PPS / PPS                            | 8.4                                      | 10                            | 445873                            | 445874                       |
| 25                                       | 1"     | 25  |                     | PPS / PPS                            | 15.5                                     | 10                            | 445878                            | 445879                       |
| 40                                       | 1 1/2" | 40  |                     | PPS / PPS                            | 37                                       | 10                            | 445883                            | 445884                       |
| 50                                       | 2"     | 50  |                     | PPS / PPS                            | 66                                       | 10                            | 445888                            | 445889                       |
| 65                                       | 2 1/2" | 50  |                     | PPS / PPS                            | 66                                       | 10                            | 551454                            | 551455                       |
| 65                                       | 2 1/2" | 80  |                     | Stainless steel / Stainless steel    | 160                                      | 10                            | 292835                            | on request                   |
| 80                                       | 3"     | 80  |                     | Stainless steel / Stainless steel    | 160                                      | 10                            | 269347                            | 252571                       |
| 100                                      | 4"     | 100 |                     | Stainless steel / Stainless steel    | 235                                      | 6                             | on request                        | on request                   |
| <b>diaphragm material PTFE/EPDM (EA)</b> |        |     |                     |                                      |  |                               |                                   |                              |
| 8  | 1/4"   | 8   |                     | PPS / Stainless steel                | 0.7                                      | 10                            | 446545                            | 446546                       |
| 10                                       | 3/8"   | 8   |                     | PPS / Stainless steel                | 1.8                                      | 10                            | 446550                            | 446551                       |
| 15                                       | 1/2"   | 8   |                     | PPS / Stainless steel                | 1.9                                      | 10                            | 553269                            | 299677                       |
| 15                                       | 1/2"   | 15  |                     | PPS / PPS                            | 3.1                                      | 10                            | 445833                            | 445834                       |
| 20                                       | 3/4"   | 20  |                     | PPS / PPS                            | 8.5                                      | 10                            | 445838                            | 445839                       |
| 25                                       | 1"     | 25  |                     | PPS / PPS                            | 14.5                                     | 10                            | 445843                            | 445844                       |
| 40                                       | 1 1/2" | 40  |                     | PPS / PPS                            | 37.5                                     | 10                            | 445848                            | 445849                       |
| 50                                       | 2"     | 50  |                     | PPS / PPS                            | 66                                       | 10                            | 445853                            | 445854                       |
| 65                                       | 2 1/2" | 50  |                     | PPS / PPS                            | 66                                       | 10                            | 551460                            | 551461                       |
| 65                                       | 2 1/2" | 80  |                     | Stainless steel / Stainless steel    | 160                                      | 10                            | 279251                            | on request                   |
| 80                                       | 3"     | 80  |                     | Stainless steel / Stainless steel    | 160                                      | 10                            | 254131                            | 257108                       |
| 100                                      | 4"     | 100 |                     | Stainless steel / Stainless steel    | 235                                      | 6                             | on request                        | on request                   |

 Further versions on request


## Material

Diaphragms for sterilization with steam EPDM (AD), advanced PTFE/EPDM (EU) and GYLON®/EPDM laminated (ER) and FKM (FF)

Handwheel and bonnet in stainless steel

**Note**

You can fill out the fields directly in the PDF file before printing out the form.

**Diaphragm valves – request for quotation**

▶ Please fill out and send to your nearest Bürkert facility\* with your inquiry or order

|               |                |
|---------------|----------------|
| Company       | Contact person |
| Customer no.  | Department     |
| Address       | Tel./Fax       |
| Postcode/town | E-Mail         |

= mandatory fields to fill out

Quantity

Required delivery date

**Operating data**

|   |                                 |                                |                              |
|---|---------------------------------|--------------------------------|------------------------------|
| <input checked="" type="checkbox"/> Process medium                                  | <input type="text"/>            |                                |                              |
| <input checked="" type="checkbox"/> Type of media                                   | <input type="checkbox"/> Liquid | <input type="checkbox"/> Steam | <input type="checkbox"/> Gas |
| <input checked="" type="checkbox"/> Flow rate (Q, Q <sub>N</sub> , W) <sup>1)</sup> | <input type="text"/> nominal    | <input type="text"/> unit      |                              |
| <input checked="" type="checkbox"/> Temperature at valve inlet                      | <input type="text"/>            | <input type="text"/>           |                              |
| <input checked="" type="checkbox"/> Absolute pressure at valve inlet                | <input type="text"/>            | <input type="text"/>           |                              |
| <input type="checkbox"/> Steam sterilisation  | temperature                     | <input type="text"/>           |                              |

<sup>1)</sup> standard unit:  
Liquid Q = m<sup>3</sup>/h;  
Steam W = kg/h;  
Gas Q<sub>N</sub> = Nm<sup>3</sup>/h

**Valve features**

**Specification key**

automatically transferred from next page

**3233-2-0**

Surface finish (if not standard)

internal  μm

external  μm

**Certifications**

- Test Report 2.2 acc. to EN 10204 (Article no. 803 722)
- Inspection Certificate 3.1 acc. to EN 10204 - Material Test Report (included in delivery)
- Inspection Certificate 3.1 acc. to EN 10204 - Surface Roughness Measurement (Article no. 804175)
- Compliance with FDA, EC-Regulation 1935/2004/EC and USP Class VI

**Comment / sketch**

|  |
|--|
|  |
|  |
|  |
|  |
|  |
|  |

\* To find your nearest Bürkert facility, click on the orange box → [www.burkert.com](http://www.burkert.com)

Valve features

Example

15 AB VS SA42 D050 NO17

Specification key

Please make a choice

Diaphragm size

- 08
- 15
- 20
- 25
- 40
- 50
- 80
- 100

SEAL MATERIAL

|    |                                  |
|----|----------------------------------|
| AB | EPDM                             |
| AD | EPDM                             |
| EA | PTFE/EPDM                        |
| ER | GYLONR/EPDM laminated            |
| FF | FKM                              |
| EU | advanced PTFE/EPDM in two pieces |

BODY MATERIAL

|    |  |
|----|--|
| VS | Forged Stainless steel 316L / 1.4435 / BN <sub>2</sub> |
| VH | Blockmaterial 316L / 1.4435                            |

VARIABLE CODES

|                         |                                     |
|-------------------------|-------------------------------------|
| Surface finish internal |                                     |
| NO14                    | Int. mechanical polished Ra ≤ 0.5µm |
| NO17                    | Int. electro polished Ra ≤ 0.38µm   |

ACTUATOR VERSION

|      |  |
|------|--|
| D050 | Handwheel / Bonnet PPS                                       |
| D051 | Handwheel PPS / Bonnet stainless steel                       |
| D052 | Handwheel / Bonnet stainless steel                           |
| D102 | Handwheel / Bonnet stainless steel (diaphragm size 80 – 100) |



PORT CONNECTION

Weld end

| Port connection DN |        | DIN EN ISO 1127 / ISO 4200 / DIN11866 B# | DIN 11850 2 / DIN11866 A | ASME BPE / DIN 11866 C | BS4825              | SMS 3008        | DIN 11850 0      |
|--------------------|--------|--|--------------------------|------------------------|---------------------|-----------------|------------------|
| [mm]               | [inch] |  |                          |                        |                     |                 |                  |
| 6                  | 1/8"   |  |                          |                        |                     |                 | SC41 - 8.0 × 1.0 |
| 8                  | 1/4"   | SA40-13.5 × 1.6                          |                          | SA90-6.35 × 0.89       | SODB - 6.35 × 1.2   |                 | SC42-10.0 × 1.0  |
| 10                 | 3/8"   | SA41-17.2 × 1.6                          | SD40-13.0 × 1.5          | SA91-9.53 × 0.89       | SODC - 9.53 × 1.2   |                 |                  |
| 15                 | 1/2"   | SA42-21.3 × 1.6                          | SD42-19.0 × 1.5          | SA92-12.7 × 1.65       | SODD - 12.7 × 1.2   |                 |                  |
| 20                 | 3/4"   | SA43-26.9 × 1.6                          | SD43-23.0 × 1.5          | SA93-19.05 × 1.65      | SODE - 19.05 × 1.2  |                 |                  |
| 25                 | 1"     | SA44-33.7 × 2.0                          | SD44-29.0 × 1.5          | SODF - 25.4 × 1.65     | SODF - 25.4 × 1.65  | SA60-25.0 × 1.2 |                  |
| 32                 | 1 1/4" | SA45-42.4 × 2.0                          | SD45-35.0 × 1.5          |                        |                     |                 |                  |
| 40                 | 1 1/2" | SA46-48.3 × 2.0                          | SD46-41.0 × 1.5          | SODH - 38.1 × 1.65     | SODH - 38.1 × 1.65  | SA62-38.0 × 1.2 |                  |
| 50                 | 2"     | SA47-60.3 × 2.0                          | SD47-53.0 × 1.5          | SODI - 50.8 × 1.65     | SODI - 50.8 × 1.65  | SA63-51.0 × 1.2 |                  |
| 65                 | 2 1/2" | SA48-76.1 × 2.0                          | SD48-70.0 × 2.0          | SODJ - 63.5 × 1.65     | SODJ - 63.5 × 1.65  | SA64-63.5 × 1.6 |                  |
| 80                 | 3"     | SA49-88.9 × 2.3                          | SD49-85.0 × 2.0          | SODK - 76.2 × 1.65     | SODK - 76.2 × 1.65  | SA65-76.1 × 1.6 |                  |
| 100                | 4"     | SA39-114.3 × 2.3                         | SD50-104.0 × 2.0         | SODL - 101.6 × 2.11    | SODL - 101.6 × 2.11 |                 |                  |

Clamp

| Port connection DN |        | DIN 32676 B (with pipe ISO 4200) | DIN 32676 A (with pipe DIN 11850 2) | ASME BPE                       |
|--------------------|--------|----------------------------------|-------------------------------------|--------------------------------|
| [mm]               | [inch] |                                  |                                     |                                |
| 8                  | 1/4"   |                                  |                                     | TG 50 - 6.35 × 0.89 Cl: 25.0   |
| 10                 | 3/8"   |                                  | TD41 - 13.0 × 1.5 Cl: 34.0          | TG 01 - 9.53 × 0.89 Cl: 25.0   |
| 15                 | 1/2"   | TC52 - 21.3 × 1.6 Cl: 50.5       | TD42 - 19.0 × 1.5 Cl: 34.0          | TG 02 - 12.7 × 1.65 Cl: 25.0   |
| 20                 | 3/4"   | TC43 - 26.9 × 1.6 Cl: 50.5       | TD43 - 23.0 × 1.5 Cl: 34.0          | TG 03 - 19.05 × 1.65 Cl: 25.0  |
| 25                 | 1"     | TC44 - 33.7 × 2.0 Cl: 50.5       | TD44 - 29.0 × 1.5 Cl: 50.5          | TG 04 - 25.4 × 1.65 Cl: 50.5   |
| 40                 | 1 1/2" | TC46 - 48.3 × 2.0 Cl: 64.0       | TD46 - 41.0 × 1.5 Cl: 50.5          | TG 05 - 38.1 × 1.65 Cl: 50.5   |
| 50                 | 2"     | TC47 - 60.3 × 2.0 Cl: 77.5       | TD47 - 53.0 × 1.5 Cl: 64.0          | TG 06 - 50.8 × 1.65 Cl: 64.0   |
| 65                 | 2 1/2" |                                  |                                     | TG 07 - 63.5 × 1.65 Cl: 77.5   |
| 80                 | 3"     |                                  |                                     | TG 08 - 76.2 × 1.65 Cl: 91.0   |
| 100                | 4"     |                                  |                                     | TG 09 - 101.6 × 2.11 Cl: 119.0 |

In case of special application conditions, please consult for advice.

Subject to alteration.  
© Christian Bürkert GmbH & Co. KG

1801/20\_EU-en\_00891705