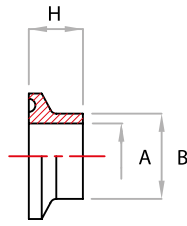


Misura / Size	H	A	B
1/2"	12.7	9.4	12.7
3/4"	12.7	15.7	19.05
1"	12.7	22.1	25.4
1 1/2"	12.7	34.8	38.1
2"	12.7	47.5	50.8
2 1/2"	12.7	60.2	63.5
3"	12.7	72.9	76.2
4"	15.8	97.6	101.6

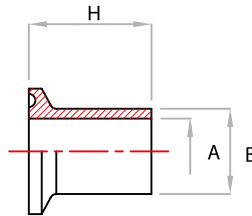


COD. 14WMP

Tronchetto saldabile
corto
Short Welding Ferrule
MAT. AISI 316L



Misura / Size	H	A	B
1/2"	28	9.4	12.7
3/4"	28	15.7	19.05
1"	28.6	22.1	25.4
1 1/2"	28.6	34.8	38.1
2"	28.6	47.5	50.8
2 1/2"	28.6	60.2	63.5
3"	28.6	72.9	76.2
4"	28.6	97.6	101.6

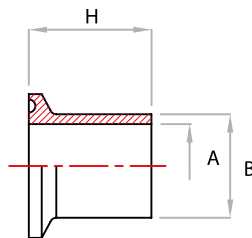


COD. L14AM7

Tronchetto saldabile
Lungo
Long Welding Ferrule
MAT. AISI 316L



Misura / Size	H	A	B
6"	28.6	146.8	152.4
8"	28.6	197.8	203.-2
10"	28.6	248.6	254
12"	28.6	299.4	304.8



COD. 14WLM0

Tronchetto saldabile
per orbitale
Orbital Welding Ferrule
MAT. AISI 316L



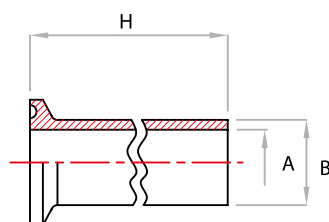
Tronchetti Clamp serie B.S.
B.S. Clamp Ferrules



Tronchetti Clamp serie B.S.
B.S. Clamp Ferrules

COD. 14WLMP

Tronchetto saldabile
Welding Ferrule
MAT. AISI 316L

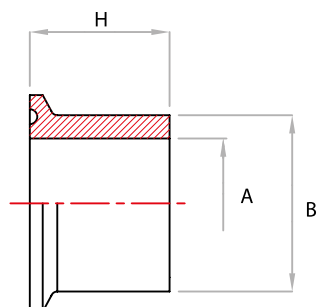


Misura / Size	H	A	B
1"	76.2	22.1	25.4
1"1/2	76.2	34.8	38.1
2"	76.2	47.5	50.8
2"1/2	76.2	60.2	63.5
3"	101.6	72.9	76.2
4"	101.6	97.6	101.6



COD. 14MPW

Tronchetto saldabile
spessorato
Heavy Welding Ferrule
MAT. AISI 316L

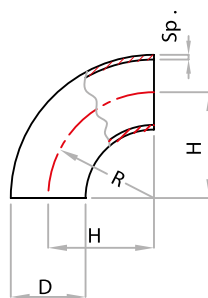


Misura / Size	H	A	B
3/4"	28	15.8	21.3
1"	41.3	22.1	29.5
1"1/2	41.3	34.8	42.6
2"	44.4	47.5	55.7
2"1/2	44.4	60.2	68.8
3"	46	72.6	81.9
4"	54	96.8	108.1



Ø	D	R	H	Sp
1/2"	12.7	26	26	1.6
3/4"	19.05	29	34	1.6
1"	25.4	38	40	1.6
1"1/2	38.1	56	56	1.6
2"	50.8	75	75	1.6
2"1/2	63.5	84	85	1.6
3"	76.2	85	85	2
4"	101.6	110	110	2

DN	D	R	H	Sp
10	12	26	26	1.5
15	18	35	35	1.5
20	22	40	40	1.5
25	28	50	50	1.5
32	34	52	55	1.5
40	40	60	60	1.5
50	52	72	72	1.5
60	60	75	75	1.5
65	70	85	85	2
80	85	93	95	2
100	104	110	110	2



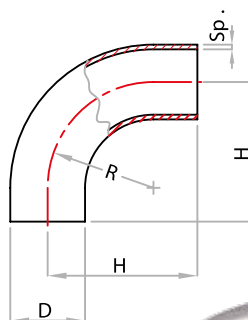
COD. CS90D..x..G/L/LL-6

Curva a 90° con
estremità a saldare
90° Elbow Weld Ends
MAT. AISI 316L



Ø	D	R	H	Sp
1/2"	12.7	26	40	1.6
3/4"	19.05	29	50	1.6
1"	25.4	38	75	1.6
1"1/2	38.1	56	90	1.6
2"	50.8	75	100	1.6
2"1/2	63.5	84	115	1.6
3"	76.2	85	130	2
4"	101.6	110	150	2

DN	D	R	H	Sp
10	12	38	26	1.5
15	18	47	35	1.5
20	22	52	40	1.5
25	28	70	50	1.5
32	34	78	55	1.5
40	40	90	60	1.5
50	52	100	72	1.5
60	60	110	75	1.5
65	70	110	85	2
80	85	130	95	2
100	104	150	110	2



COD. CM90D..x..G/L/LL-6

Curva a 90° con
estremità a mandrinare
*90° Elbow Expanding
Welds Ends*
MAT. AISI 316L



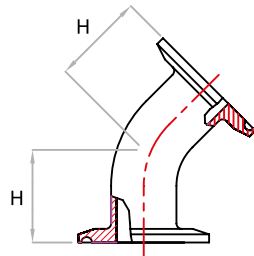
Curva Clamp serie B.S.
B.S. Elbow Clamp



Curva Clamp serie B.S.
B.S. Elbow Clamp

COD. 2KMP45ELL-...-LL-6

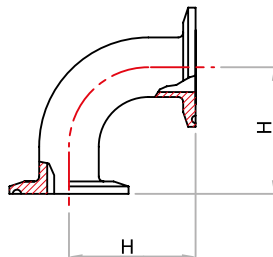
Curva a 45°
45° Elbow Clamps Ends
MAT. AISI 316L



Misura / Size	1/2"	3/4"	1"	1"1/2	2"	2"1/2	3"	4"
H	70	70	28.6	36.5	44.5	52.4	60.3	79.4

COD. 2CMP90ELL-...-LL-6

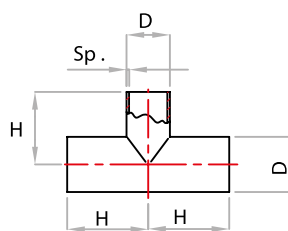
Curva 90°
90° Elbow Clamp Ends
MAT. AISI 316L



Misura / Size	1/2"	3/4"	1"	1"1/2	2"	2"1/2	3"	4"
H	38.5	46.5	52.5	68.5	87.5	97.5	97.5	122.5

Ø	D	R	Sp
1/2"	12.7	50	1.6
3/4"	19	50	1.6
1"	25.4	75	1.6
1"1/2	38.1	90	1.6
2"	50.8	100	1.6
2"1/2	63.5	115	1.6
3"	76.2	130	2
4"	101.6	150	2

DN	D	R	Sp
10	12	26	1.5
15	18	35	1.5
20	22	40	1.5
25	28	50	1.5
32	34	55	1.5
40	40	67	1.5
50	52	72	1.5
60	60	75	1.5
65	70	85	2
80	85	95	2
100	104	150	2



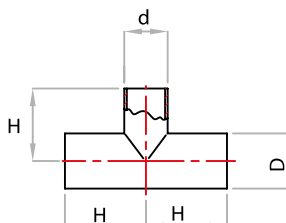
COD. 7M...x...G/L/LL-6

Pezzo a Tee a mandrinare
Tee Welds Ends
MAT. AISI 316L



D x d	H
19 x 12.7	92
25.4 x 12.7	
25.4 x 19	75
38.1 x 12.7	90
38.1 x 19	92
38.1 x 25.4	90

D x d	H
50.8 x 25.4	102
50.8 x 38.1	100
63.5 x 50.8	115
76.2 x 50.8	10
76.2 x 63.5	130

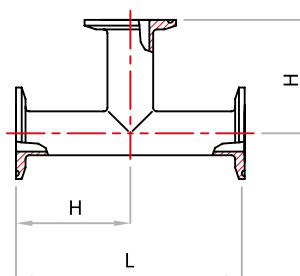


COD. 7R...x...G/L/LL-6

Pezzo a Tee ridotto
Reducing Tee Weld Ends
MAT. AISI 316L



Misura / Size	1/2"	3/4"	1"	1"1/2	2"	2"1/2	3"	4"
H	62.5	67.5	62.5	70	89	89	95	114
L	125	135	120	140	178	178	190	228



COD. 7MP...-LL-6

Raccordo Tee
Tee Clamp Ends
MAT. AISI 316L



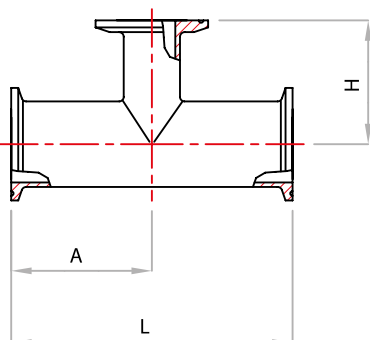
Tee e croci Clamp serie B.S.
B.S. tee and cross Clamp



Tee e croci Clamp serie B.S.
B.S. tee and cross Clamp

COD. 7RMP...-LL-6

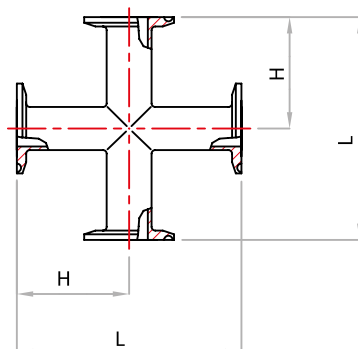
Raccordo Tee ridotto
Reducing Tee Clamp Ends
MAT. AISI 316L



Misura / Size	H	A	L
3/4" x 1/2"	23	67.5	135
1" x 1/2"	27	62.5	125
1" x 3/4"	27	62.5	125
1 1/2" x 1/2"	34.5	70	135
1 1/2" x 3/4"	34.5	70	135
1 1/2" x 1"	34.5	70	135
2" x 1"	42	89	178
2" x 1 1/2"	42	89	178
2 1/2" x 2"	49	89	178
3" x 2"	55.5	95	225
3" x 2 1/2"	55.5	95	225

COD. 9MP...-LL-6

Croce
Cross Tee Clamp Ends
MAT. AISI 316L

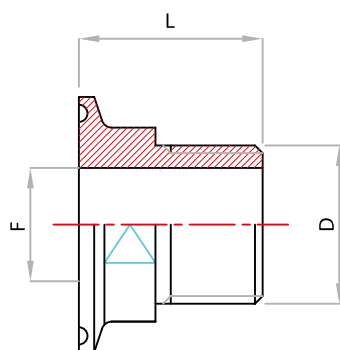


Misura Size	1/2"	3/4"	1"	1 1/2"	2"	2 1/2"	3"	4"
H	62.5	67.5	62.5	70	89	89	95	114
L	125	135	125	140	178	178	190	228

*Esecuzioni speciali su richiesta
*Special execution on request

Misura / Size	L	F
1/2" x 1/4"	35	9
3/4" x 1/2"	35	15.7
1" x 1"	36	22.1
1"1/2 x 1/2"	28	15.7
2" x 2"	43	47.5
2"1/2 x 2"	40	47.5
3"	48	72.6
4"	60	60

*Esecuzioni speciali su richiesta
*Special execution on request



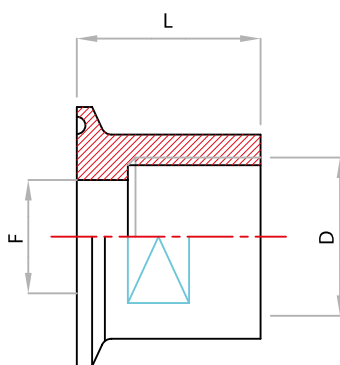
COD. 21MP

Adattatore maschio
Male ferrule adaptor
MAT. AISI 316L



Misura / Size	L	F
1/2"	43	9
3/4"	43	15.7
1" x 1/2"	30	19
1"1/2 x 3/4"	30	22.1
2" x 1"1/2"	38	44
2"1/2 x 2"	32	50
3"	47	72.8
4"	60	97.5

*Esecuzioni speciali su richiesta
*Special execution on request



COD. 22MP

Adattatore femmina
Female ferrule adaptor
MAT. AISI 316L

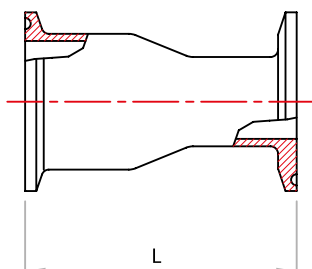


Adattatori e riduzioni Clamp B.S.
B.S. Adapters and reducers



COD. 3114MP

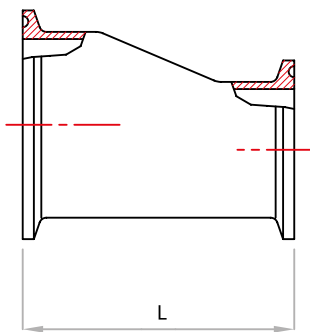
Riduzione concentrica
Concentric reducer clamp
ends
MAT. AISI 316L



Misura / Size	L	Misura / Size	L
3/4" x 1/2"	51	2"1/2 x 2"	100
1" x 1/2"	51	3" x 1"	127
1" x 3/4"	51	3" x 1"1/2	100
1"1/2 x 3/4"	76	3" x 2"	100
1"1/2 x 1"	76	3" x 2"1/2	100
2" x 1"	127	4" x 2"	130
2" x 1"1/2	76	4" x 2"1/2	130
2"1/2 x 1"	100	4" x 3"	130
2"1/2 x 1"1/2	100		

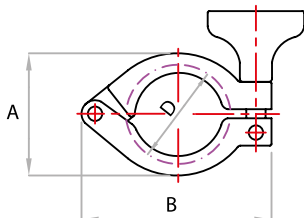
COD. 3214MP

Riduzione eccentrica
Eccentric reducer clamp
ends
MAT. AISI 316L



Misura / Size	L	Misura / Size	L
3/4" x 1/2"	51	2"1/2 x 1"1/2	120
1" x 1/2"	51	2"1/2 x 2"	120
1" x 3/4"	76	3" x 1" - (1"1/2)	120
1"1/2 x 3/4"	135	3" x 2"	120
1"1/2 x 1"	76	3" x 2"1/2	120
2" x 1"	127	4" x 2"	130
2" x 1"1/2	76	4" x 2"1/2	130
2"1/2 x 1"	120	4" x 3"	130

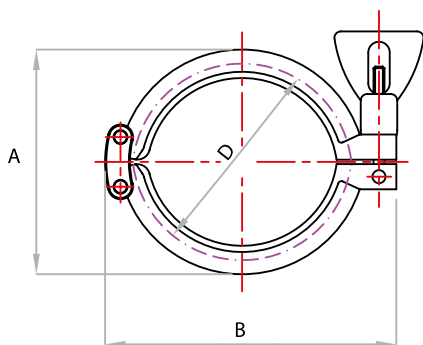
Misura / Size	D	A	B
1/2"	28.5	35	51
3/4"	28.5	35	51



COD. 13MHHM

Morsetto
Pin Heavy duty mini clamp
MAT. AISI 304

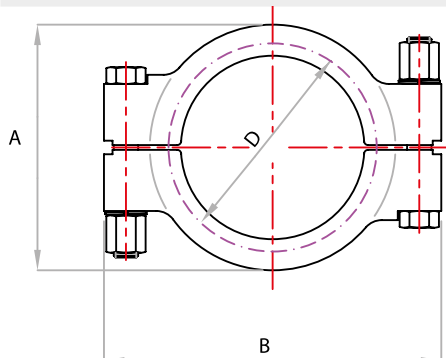
Misura / Size	1"	1 1/2"	2"	2 1/2"	3"	4"	6"	8"
D	54	54	67.5	81	94.5	122.5	70	221
A	67	67	81	94	105	134	185	235
B	86	86	101	114	126	156	216	270



COD. 13MHHM

Morsetto
Double Pin Heavy duty
mini clamp
MAT. AISI 304

Misura / Size	D	A	B	Pressione/Pressure	
				BAR 021°C	BAR 0120C°
3/4"	26	32	55	138	103.5
1 1/2"	52	69	103	103.5	83
2"	65.5	82	115	70	55
2 1/2"	79	97	128	70	55
3"	92.5	109	141	70	55
4"	120.5	133	165	70	55



COD. 13MHP

Morsetto per alte
pressioni
High pressure clamp
MAT. AISI 304

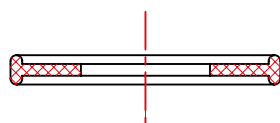
Morsetti Clamp serie B.S.
B.S. ASME/BPE heavy duty clamp



Guarnizioni Clamp serie B.S.
B.S. clamp gaskets

COD. 42MP

Guarnizione
O-Ring gasket



Materiale / Material	Misura / Size
EPDM / EPDM	1/2" - 3/4"
Buna / Buna	1/2" - 3/4"
Viton / Viton	1/2" - 3/4"
Silicone	1/2" - 3/4"
Teflon Rigido / Hard Tefolon	1/2" - 3/4"

COD. 40MP

Guarnizione
O-Ring gasket



Materiale / Material	Misura / Size
EPDM / EPDM	1" - 4"
Buna / Buna	1" - 4"
Viton / Viton	1" - 4"
Silicone	1" - 4"
Teflon Rigido / Hard Tefolon	1" - 12"

COD. 40MPF

Guarnizione a labbro
Gasket with lip



Materiale / Material	Misura / Size
EPDM / EPDM	1" - 12"
Buna / Buna	1" - 12"
Viton / Viton	1" - 12"
Silicone	1" - 12"

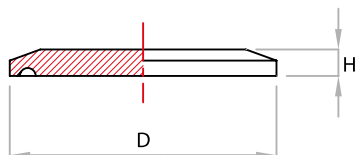
COD. A40MP-GR

Guarnizione
Standard gasket



Materiale / Material	Misura / Size
Viton rivestito PTFE Viton coated PTFE	1" - 4"

Misura / Size	H	D
1/2" & 3/4"	4.7	25
1" & 1 1/2"	5	50
2"	5	64
2 1/2"	6	77.4
3"	7	90
4"	8	118.8
6"	11	166.67
8"	11	217.67
10"	14.3	268.47
12"	14.3	319.27

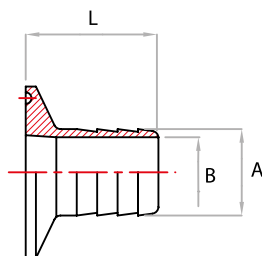


COD. 16AMP

Tappo
Solid end cup
MAT. AISI 316 L



Misura / Size	L	A	B
1/2"	28	12.7	9.7
3/4"	32	19.05	16
1"	45	25.4	20.6
1 1/2"	45	8.1	33.3
2"	60	50.8	45
2 1/2"	65	63.5	58.7
3"	80	76.2	72
4"	90	101.6	97.6



COD. 14MPHR

Portagomma
Rubber hose adapter
MAT. AISI 316 L



Raccordiera Clamp serie B.S.
B.S. ASME/BPE Clamp fittings

