

# Stainless Steel PRESSURE VESSELS



PURO's housings are perfect for all applications that require Stainless Steel for hygienic or high temperature needs.

PURO provides a complete range of standard stainless steel PV from 2,5" to 8,3" – from 1 element to six elements and from 250 Psi to 1000 Psi. PVs for ceramic membranes upon request.

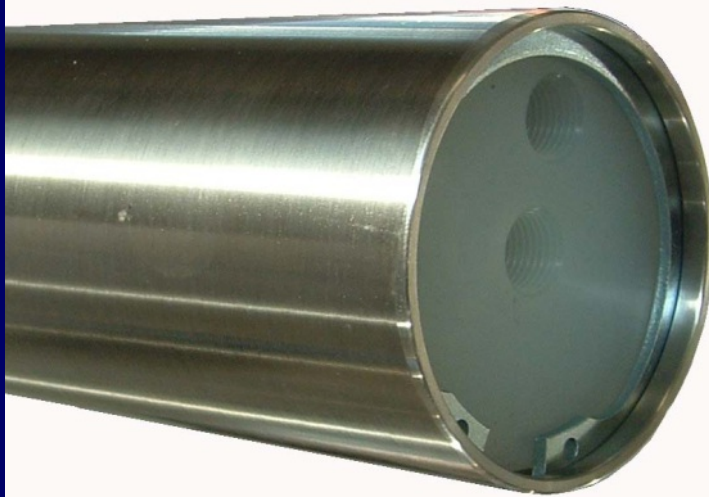
Custom designs and connections upon request.



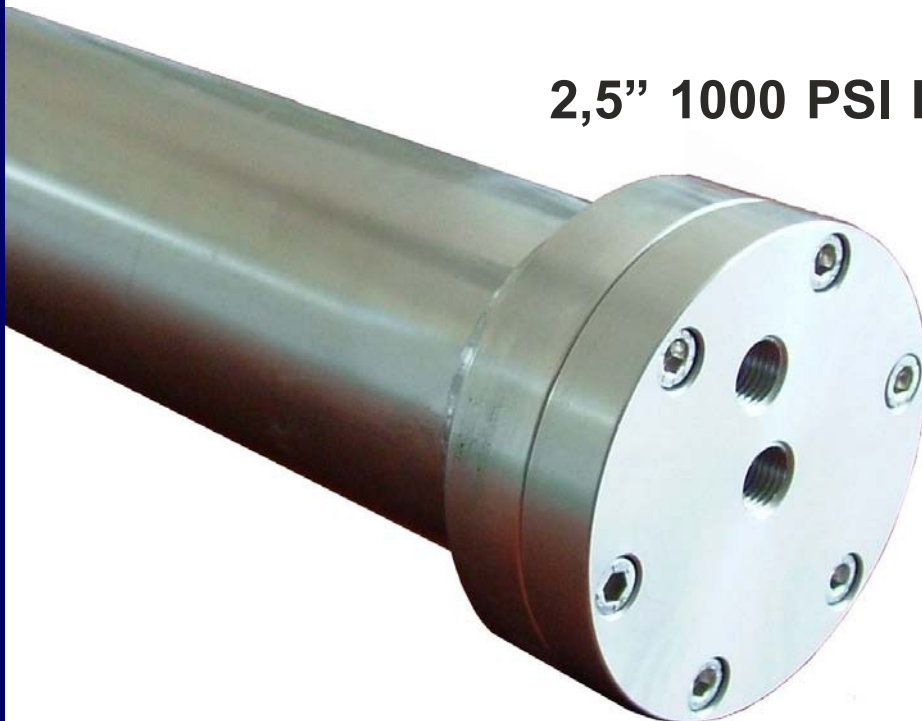
# Stainless Steel PRESSURE VESSELS

2.5"

2,5" 250 PSI PV



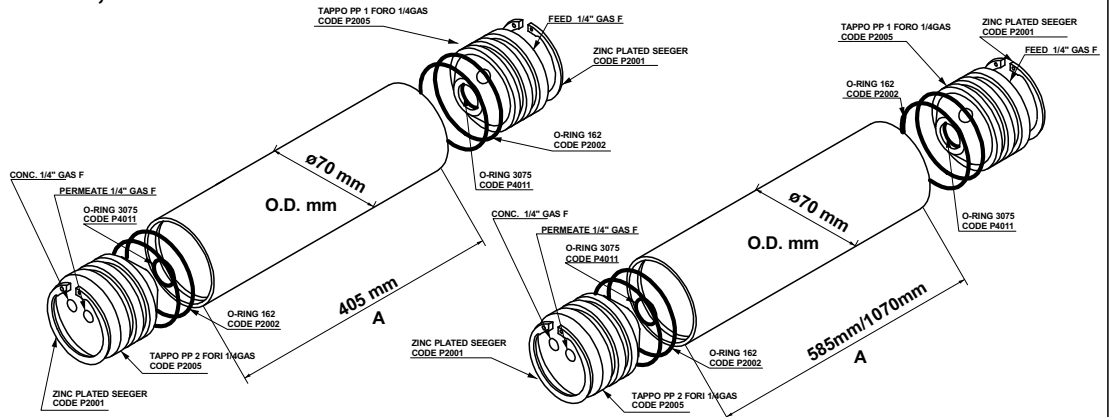
2,5" 1000 PSI PV



# Stainless Steel PRESSURE VESSELS

2.5"

## P.V. 2,5" 250 Psi AISI 316L PER FILMTEC/FLUID/HYDRONAUTICS/DESAL



PURO stainless steel Pressure Vessels

2,5" Model 250 Psi Aisi 304L

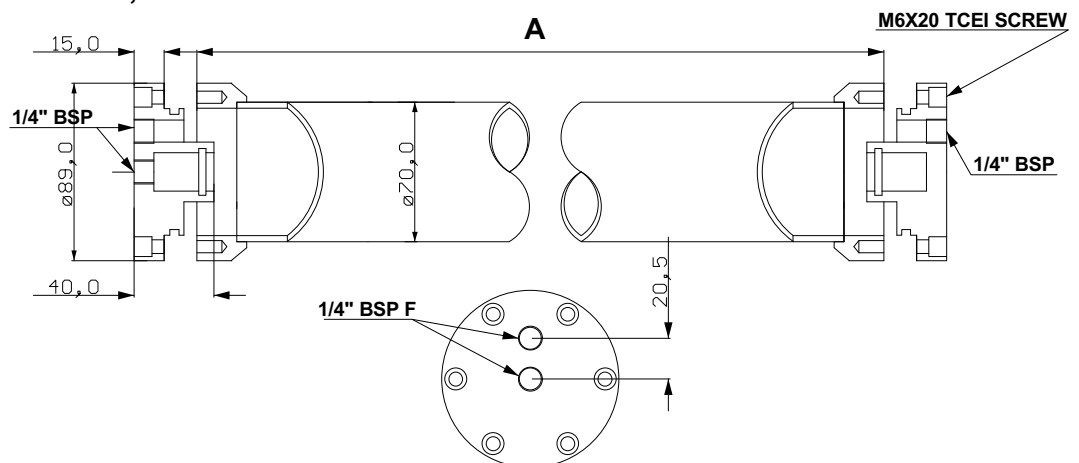
POLYPROPYLENE END PLUG - END PLUG INTERLOCK: ZINC PLATED SEEGER

Code	Model	N° elem.	A mm	O.D. Ø mm	Feed	Conc.	Perm.	€ Price
NP- PV2514	2514	1	405	70	1/4" BSP F	1/4" BSP F	1/4" BSP F	
NP- PV2521	2521	1	585	70	1/4" BSP F	1/4" BSP F	1/4" BSP F	
NP- PV2540	2540	1	1070	70	1/4" BSP F	1/4" BSP F	1/4" BSP F	



INSIDE/OUTSIDE weld seam cold rolled  
OUTSIDE SURFACE FINISH: Brushed

## P.V. 2,5" 1000 Psi AISI 316L PER FILMTEC/KOCH/HYDRANAUTICS/GE



PURO stainless steel Pressure Vessels

2,5" Model 1000 Psi Aisi 316L

SS END LLANGED CAPS FIXED BY 6 BOLTS M6

Code	Model	N° elem.	A mm	O.D. mm	Feed	Conc.	Perm.	€ Price
NP- PV2521-1000	2521	1	542	70	1/4" BSP F	1/4" BSP F	1/4" BSP F	
NP- PV2540-1000	2540	1	1025	70	1/4" BSP F	1/4" BSP F	1/4" BSP F	



INSIDE/OUTSIDE weld seam cold rolled  
OUTSIDE SURFACE FINISH: Brushed

# Stainless Steel PRESSURE VESSELS

4"

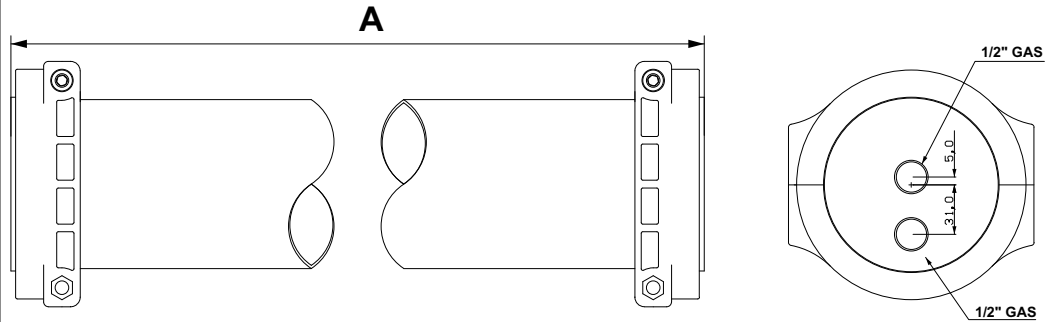
**4" 250 PSI PV**  
MOULDED



# Stainless Steel PRESSURE VESSELS

4"

**P.V. 4" 250 Psi AISI 316L PER FILMTEC/KOCH/HYDRANAUTICS/GE**

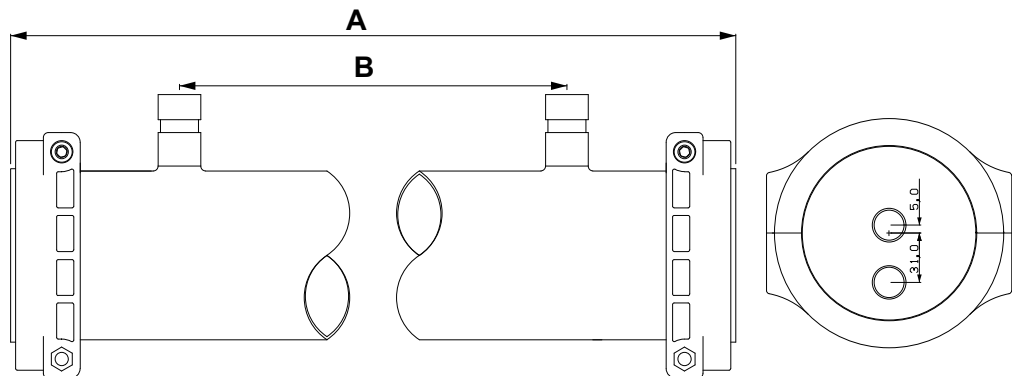


Puro stainless steel Pressure Vessels								
4" Model 250 Psi Aisi 316L								
MOULDED PLASTIC LOCKING CLAMP - MACHINED PLASTIC CAPS								
Code	Model	N° elem.	A mm	O.D. mm	Feed	Conc.	Perm.	€ Prices
NP- PV4014MD	4014	1	405	106	1/2" BSP F	1/2" BSP F	1/2" BSP F	
NP- PV4021MD	4021	1	585	106	1/2" BSP F	1/2" BSP F	1/2" BSP F	
NP- PV41250MD	4040	1	1070	106	1/2" BSP F	1/2" BSP F	1/2" BSP F	
NP- PV42250MD	4080	2	2085	106	1/2" BSP F	1/2" BSP F	1/2" BSP F	



INSIDE SURFACE 2B, weld seam cold rolled  
OUTSIDE SURFACE FINISH: Brushed 120grit

**P.V. 4" 250 Psi AISI 316L PER FILMTEC/KOCH/HYDRANAUTICS/GE**



Puro stainless steel Pressure Vessels									
4" Model 250 Psi Aisi 316L									
MOULDED PLASTIC LOCKING CLAMP- PLASTIC MACHINED CAPS									
Code	Model	N° elem.	A mm	B mm	O.D. mm	Feed	Conc.	Perm.	€ Prices
NP- PV41250SP	4040	1	1220	1010	106	3/4" VIC	3/4" VIC	1/2" BSP F	
NP- PV42250SP	4080	2	2240	2030	106	3/4" VIC	3/4" VIC	1/2" BSP F	



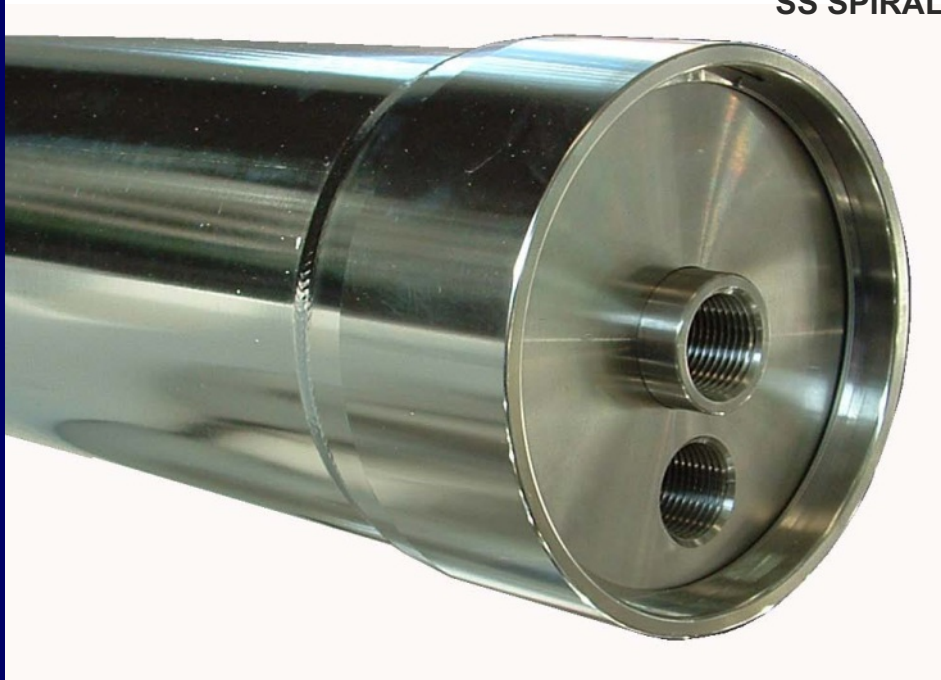
INSIDE SURFACE 2B, weld seam cold rolled  
OUTSIDE SURFACE FINISH: Brushed 120grit

# Stainless Steel PRESSURE VESSELS

4"



**4" 250 PSI PV**  
SS SPIRAL RING

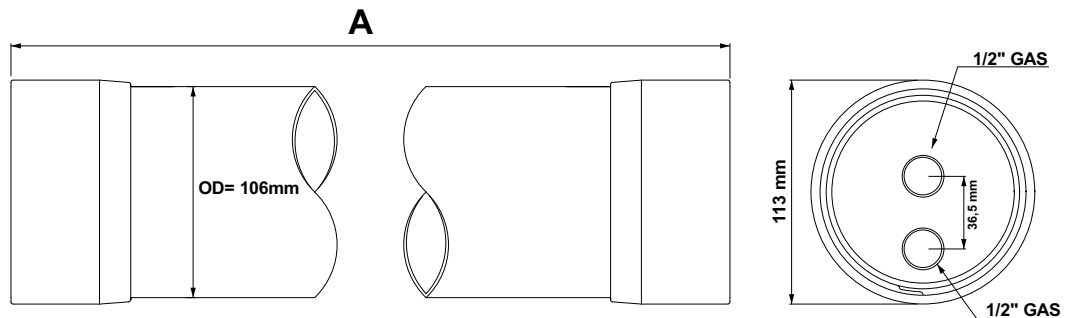


**4" 600 PSI PV**  
SS SPIRAL RING

# Stainless Steel PRESSURE VESSELS

4"

## P.V. 4" 250 Psi AISI 316L PER FILMTEC/KOCH/HYDRANAUTICS/GE

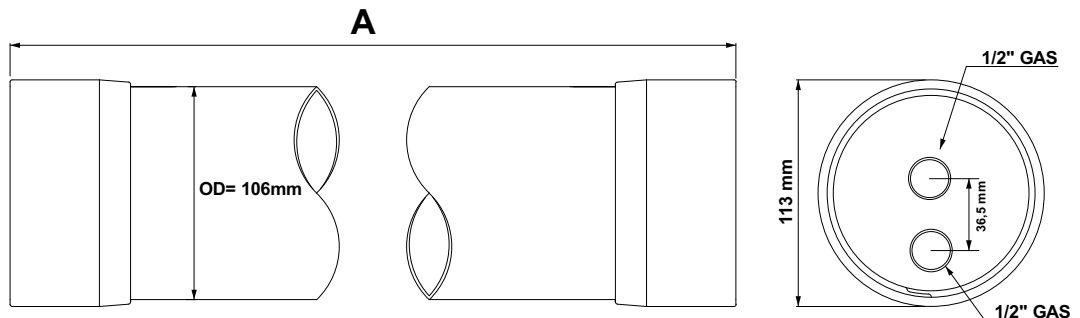


Puro stainless steel Pressure Vessels								
4" Model 250 Psi Aisi 316L ONLY FOR MEMBRANE ELEMENTS WITH PERMEATE PIPE Ø=19MM MALE								
POLYPROPYLENE END PLUG REINFORCED - END PLUG INTERLOCK: Stainless Steel Spiral Ring								
Code	Model	N° elem.	A mm	O.D. mm	Feed	Conc.	Perm.	€ Prices
NP- PV4021-250	4021	1	605	106	1/2" BSP F	1/2" BSP F	1/2" BSP F	
NP- PV41250	4040	1	1088	106	1/2" BSP F	1/2" BSP F	1/2" BSP F	
NP- PV42250	4080	2	2105	106	1/2" BSP F	1/2" BSP F	1/2" BSP F	
NP- PV43250	40120	3	3122	106	1/2" BSP F	1/2" BSP F	1/2" BSP F	
NP- PV44250	40160	4	4140	106	1/2" BSP F	1/2" BSP F	1/2" BSP F	
NP- PV45250	40200	5	5155	106	1/2" BSP F	1/2" BSP F	1/2" BSP F	



INTERNAL 2B finish, longitudinal weld seam cold rolled  
EXTERNAL SURFACE BRUSHED

## P.V. 4" 600 Psi AISI 316L PER FILMTEC/KOCH/HYDRANAUTICS/GE



Puro stainless steel Pressure Vessels								
4" Model 600 Psi AISI 316L ONLY FOR MEMBRANE ELEMENTS WITH PERMEATE PIPE Ø=19MM MALE								
S.S. END PLUG - END PLUG INTERLOCK: Stainless Steel Spiral Ring								
Code	Model	N° elem.	Length mm	O.D. mm	Feed	Conc.	Perm.	€ Price
NP- PV4021600	4021	1	605	106	1/2" BSP F	1/2" BSP F	1/2" BSP F	
NP- PV41600	4040	1	1088	106	1/2" BSP F	1/2" BSP F	1/2" BSP F	
NP- PV42600	4080	2	2105	106	1/2" BSP F	1/2" BSP F	1/2" BSP F	
NP- PV43600	40120	3	3122	106	1/2" BSP F	1/2" BSP F	1/2" BSP F	
NP- PV44600	40160	4	4140	106	1/2" BSP F	1/2" BSP F	1/2" BSP F	
NP- PV45600	40200	5	5155	106	1/2" BSP F	1/2" BSP F	1/2" BSP F	



INTERNAL 2B finish, longitudinal weld seam cold rolled  
EXTERNAL SURFACE BRUSHED

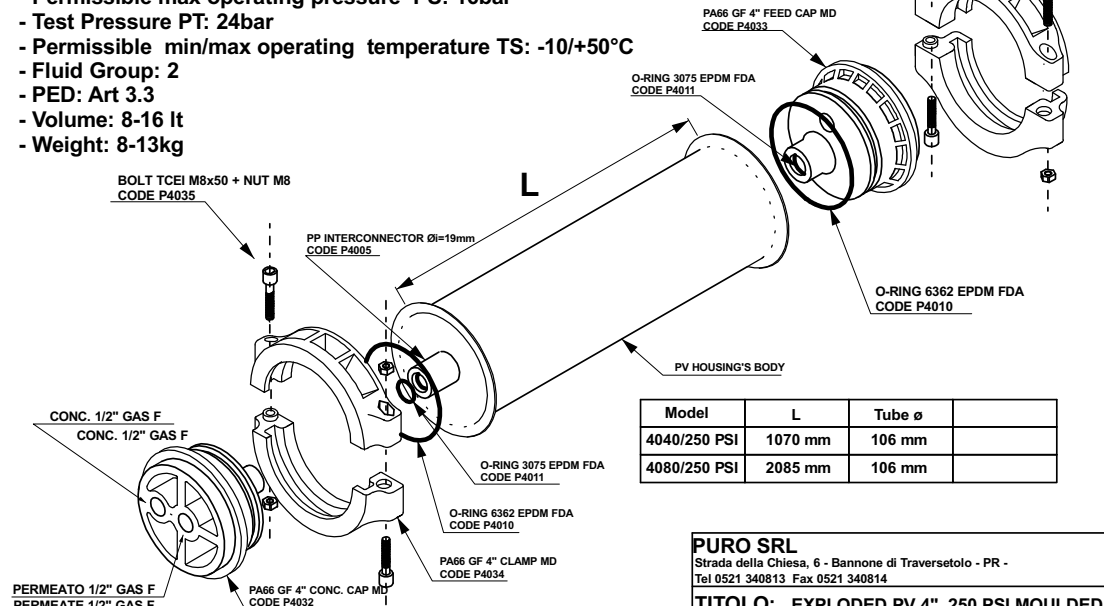


# Stainless Steel PRESSURE VESSELS

4"

**DESIGN AND OPERATING DATA**

- Permissible max operating pressure PS: 16bar
- Test Pressure PT: 24bar
- Permissible min/max operating temperature TS: -10/+50°C
- Fluid Group: 2
- PED: Art 3.3
- Volume: 8-16 lt
- Weight: 8-13kg

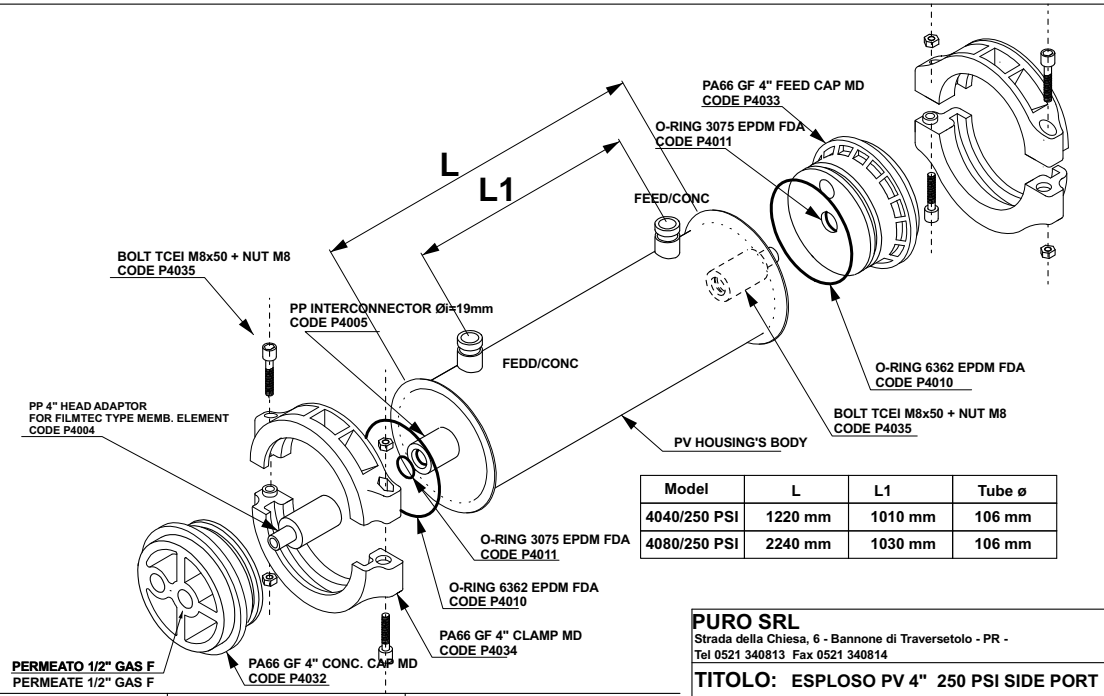


Model	L	Tube ø
4040/250 PSI	1070 mm	106 mm
4080/250 PSI	2085 mm	106 mm

**PURO SRL**  
Strada della Chiesa, 6 - Bannone di Traversetolo - PR -  
Tel 0521 340813 Fax 0521 340814

**TITOLO: EXPLODED PV 4" 250 PSI MOULDED**

DISEGNO	DIS.
DATA : 2018	FOGLIO 1
SCALA	CLIENTE :



Model	L	L1	Tube ø
4040/250 PSI	1220 mm	1010 mm	106 mm
4080/250 PSI	2240 mm	1030 mm	106 mm

**PURO SRL**  
Strada della Chiesa, 6 - Bannone di Traversetolo - PR -  
Tel 0521 340813 Fax 0521 340814

**TITOLO: ESPLOSO PV 4" 250 PSI SIDE PORT**

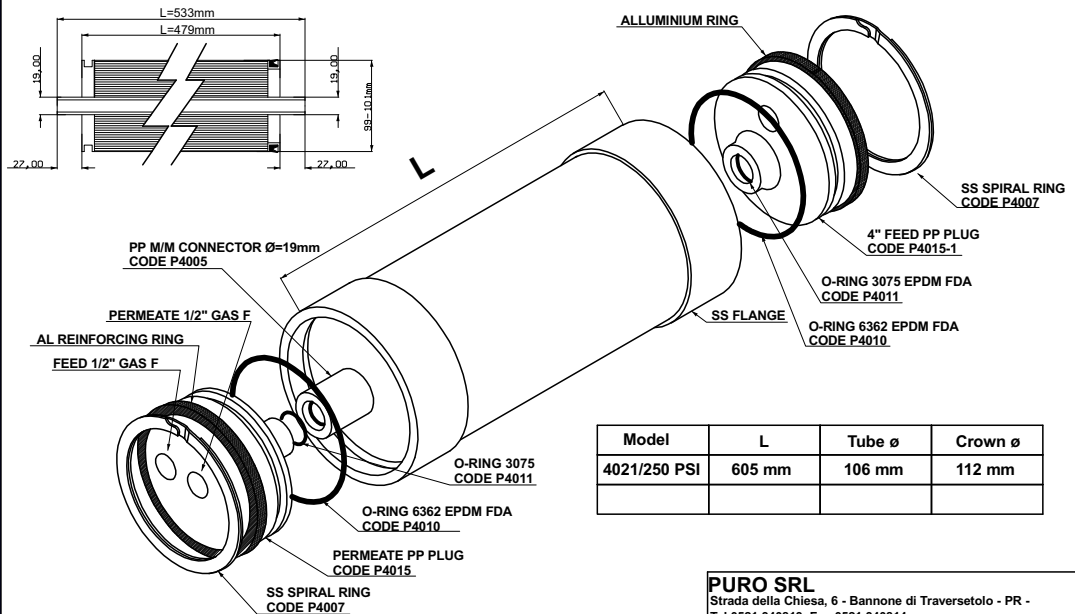
DISEGNO	DIS.
DATA : 2018	FOGLIO 1
SCALA	CLIENTE :



# Stainless Steel PRESSURE VESSELS

4"

ONLY FOR MEMBRANE ELEMENTS FILMTEC TYPE



Model	L	Tube ø	Crown ø
4021/250 PSI	605 mm	106 mm	112 mm

**PURO SRL**  
Strada della Chiesa, 6 - Bannone di Traversetolo - PR -  
Tel 0521 340813 Fax 0521 340814

**TITOLO: EXPLODED PV 4" 4021 250 PS**

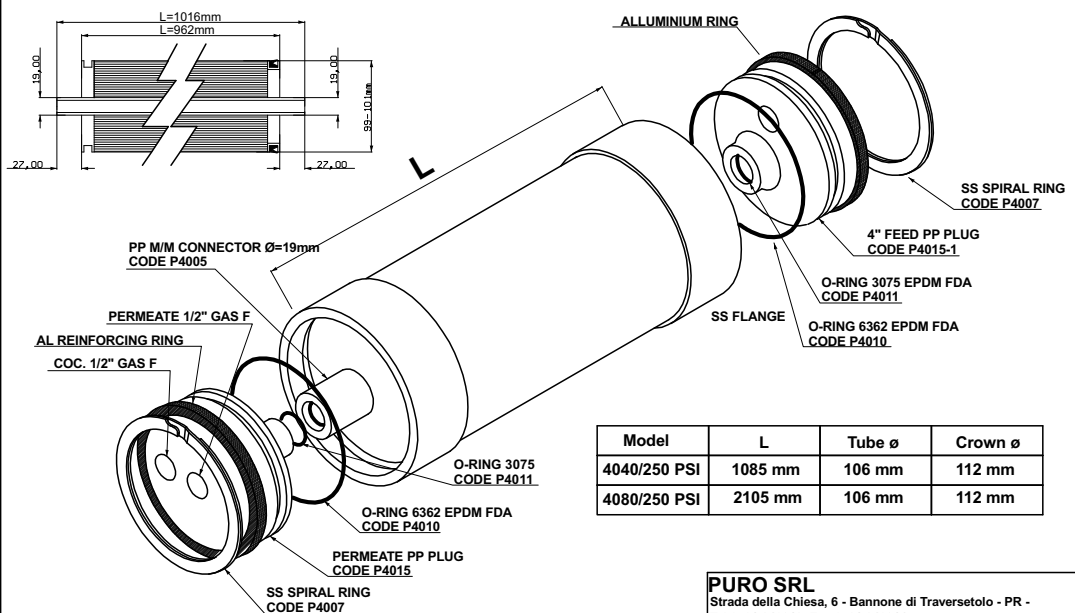
DISEGNO DIS.

DATE : OCTOBER 2015 FOGLIO 1

SCALA CLIENTE :



ONLY FOR MEMBRANE ELEMENTS FILMTEC TYPE



Model	L	Tube ø	Crown ø
4040/250 PSI	1085 mm	106 mm	112 mm
4080/250 PSI	2105 mm	106 mm	112 mm

**PURO SRL**  
Strada della Chiesa, 6 - Bannone di Traversetolo - PR -  
Tel 0521 340813 Fax 0521 340814

**TITOLO: EXPLODED PV 4" 250 PSI**

DISEGNO DIS.

DATE : OCTOBER 2018 FOGLIO 1

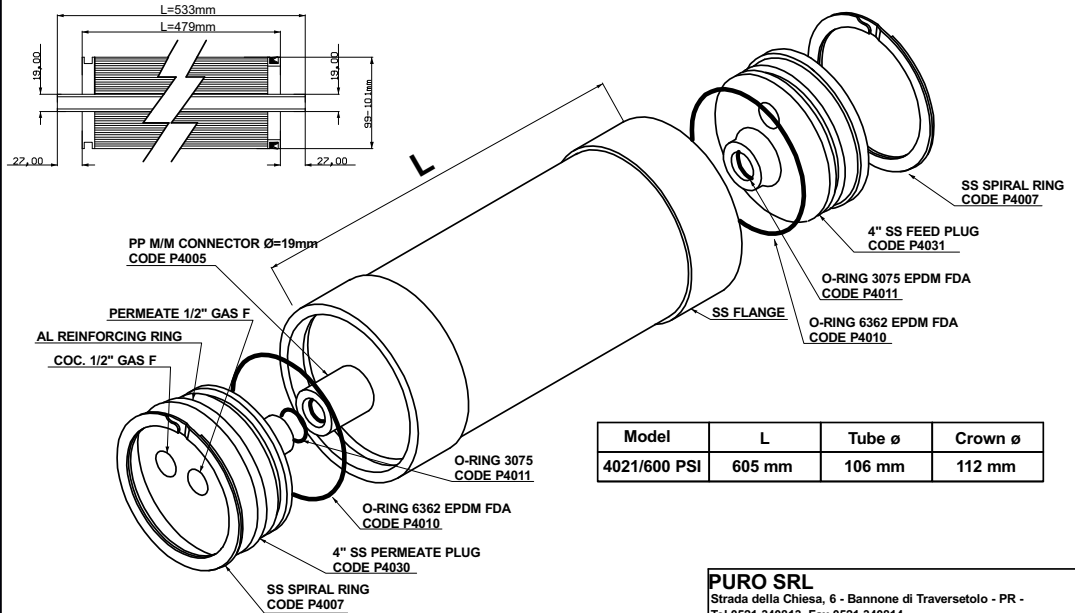
SCALA CLIENTE :



# Stainless Steel PRESSURE VESSELS

4"

ONLY FOR MEMBRANE ELEMENTS FILMTEC TYPE



Model	L	Tube ø	Crown ø
4021/600 PSI	605 mm	106 mm	112 mm

**PURO SRL**

Strada della Chiesa, 6 - Bannone di Traversetolo - PR -  
Tel 0521 340813 Fax 0521 340814

**TITOLO: EXPLODED PV 4" 4021 600 PSI**

DISEGNO

DIS.

DATE : 2018

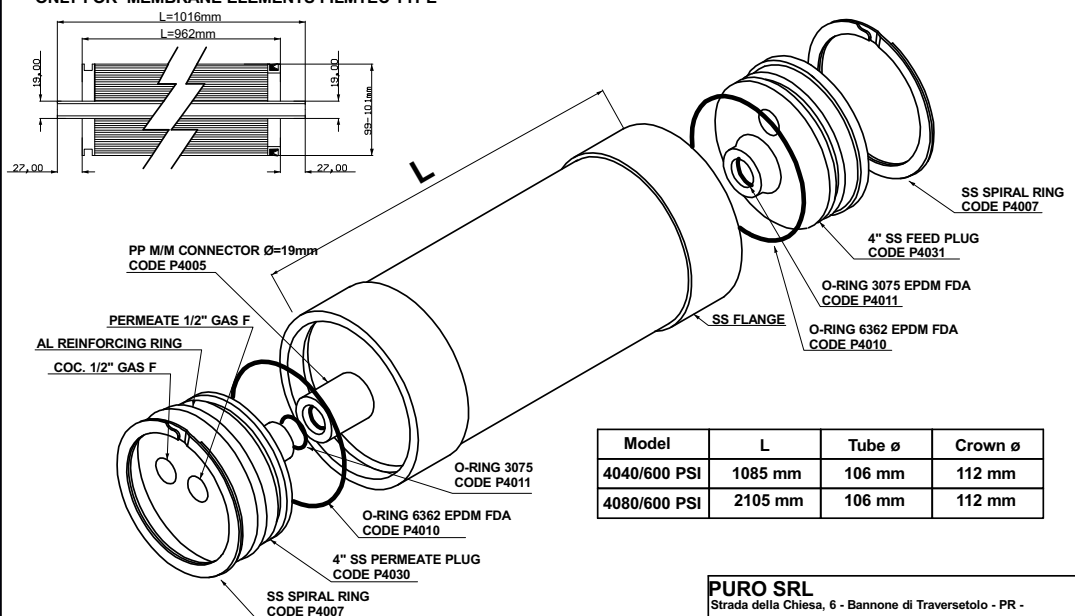
FOGLIO 1

SCALA

CLIENTE :



ONLY FOR MEMBRANE ELEMENTS FILMTEC TYPE



Model	L	Tube ø	Crown ø
4040/600 PSI	1085 mm	106 mm	112 mm
4080/600 PSI	2105 mm	106 mm	112 mm

**PURO SRL**

Strada della Chiesa, 6 - Bannone di Traversetolo - PR -  
Tel 0521 340813 Fax 0521 340814

**TITOLO: EXPLODED PV 4" 600 PSI**

DISEGNO

DIS.

DATE : 2018

FOGLIO 1

SCALA

CLIENTE :



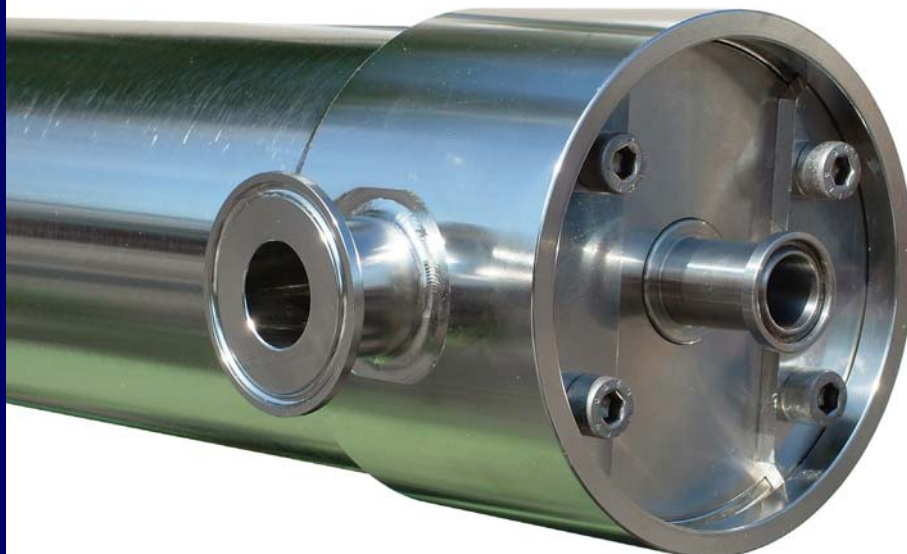
# Stainless Steel PRESSURE VESSELS

4"

**4" PV 1000PSI SIDE PORT  
WITH INOX SEGMENTS**



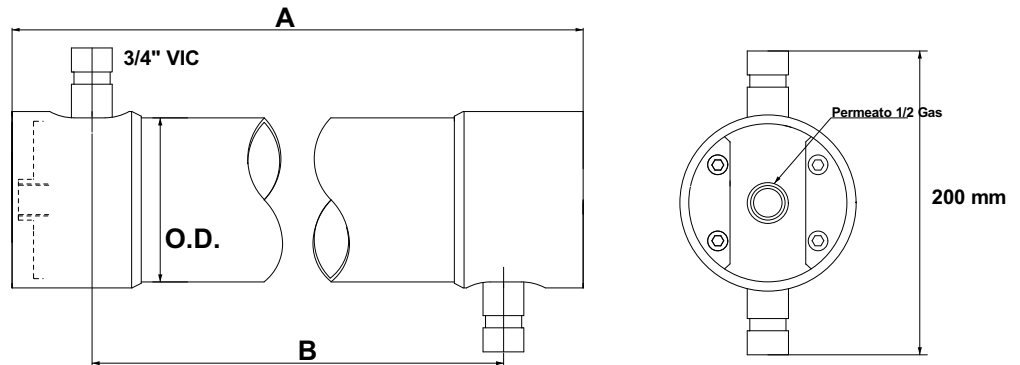
**4" PV 600 PSI  
WITH TRICLAMPS FITTINGS**



# Stainless Steel PRESSURE VESSELS

4"

P.V. 4" 1000 Psi AISI 316L PER FILMTEC/KOCH/HYDRANAUTICS/GE MALE/FEMALE



Puro stainless steel Pressure Vessels

4" Model 1000 Psi Aisi 316L with Victaulic side ports oriented on the same side 0° or opposite 180°

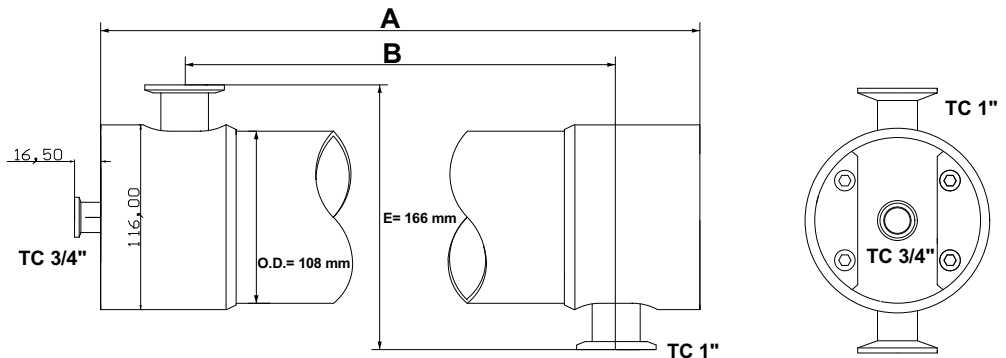
S.S. END PLUG - END PLUG INTERLOCK: BY TWO S.S.SEGMENTS

Code	Model	N° elem.	A mm	O.D. mm	B mm	Feed	Conc.	Perm.	€ Price
NP- PV411000SPVIC180°	4040	1	1150	108	1045	3/4" Vict.	3/4" Vict.	1/2"Gas	
NP- PV421000SPVIC180°	4080	2	2167	108	2062	3/4" Vict.	3/4" Vict.	1/2"Gas	
NP- PV431000SPVIC180°	40120	3	3183	108	3078	3/4" Vict.	3/4" Vict.	1/2"Gas	
NP- PV441000SPVIC180°	40160	4	4202	108	4097	3/4" Vict.	3/4" Vict.	1/2"Gas	
NP- PV451000SPVIC180°	40200	5	5218	108	5113	3/4" Vict.	3/4" Vict.	1/2"Gas	
NP- PV461000SPVIC180°	40240	6	6235	108	6130	3/4" Vict.	3/4" Vict.	1/2"Gas	



INSIDE SURFACE FINISH 2B, WELD SEAMCOLD ROLLED  
EXTERNAL SURFACE FINISH BRUSHED

P.V. 4" 600 Psi AISI 316L PER FILMTEC/KOCH/HYDRANAUTICS/GE MALE/FEMALE



Puro stainless steel Pressure Vessels

4" Model 600 Psi AISI 316L with TC side ports oriented on the same side 0° or opposite 180°

S.S. END PLUG - END PLUG INTERLOCK: BY TWO S.S. SEGMENTS

Code	Model	N° elem.	A mm	B	O.D. mm	Feed	Conc.	Perm.	€ Price
NP- PV41600SPTC180°	4040	1	1150	1045	108	1" TC	1" TC	3/4" TC	
NP- PV42600SPTC180°	4080	2	2167	2062	108	1" TC	1" TC	3/4" TC	
NP- PV43600SPTC180°	40120	3	3183	3078	108	1" TC	1" TC	3/4" TC	
NP- PV44600SPTC180°	40160	4	4202	4097	108	1" TC	1" TC	3/4" TC	
NP- PV45600SPTC180°	40200	5	5218	5113	108	1" TC	1" TC	3/4" TC	
NP- PV46600SPTC180°	40240	6	6235	6130	108	1" TC	1" TC	3/4" TC	



INSIDE SURFACE FINISH 2B, WELD SEAMCOLD ROLLED, Ra<0,8  
EXTERNAL SURFACE FINISH BRUSHED

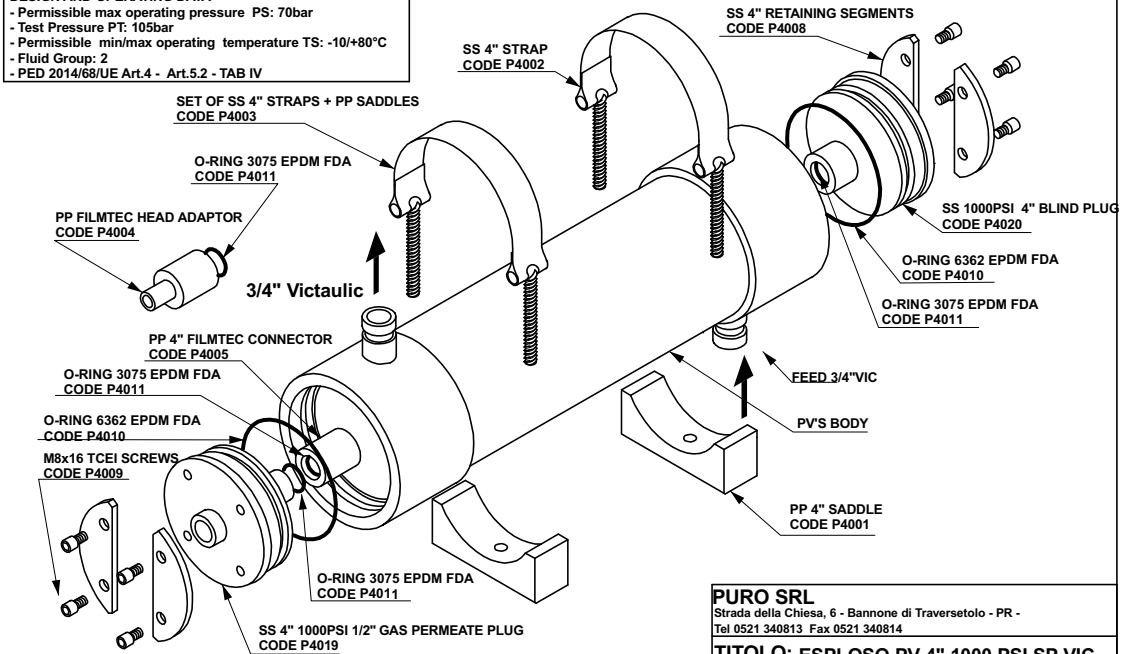
# Stainless Steel PRESSURE VESSELS

4"

## ESPLOSO PV 4" 1000 PSI SIDE PORT OPPOSITE 3/4"VIC

### DESIGN AND OPERATING DATA

- Permissible max operating pressure PS: 70bar
- Test Pressure PT: 105bar
- Permissible min/max operating temperature TS: -10/+80°C
- Fluid Group: 2
- PED 2014/68/UE Art.4 - Art.5.2 - TAB IV



### PURO SRL

Strada della Chiesa, 6 - Bannone di Traversetolo - PR -  
Tel 0521 340813 Fax 0521 340814

TITOLO: ESPLOSO PV 4" 1000 PSI SP VIC

DISEGNO

DIS.

DATA : 2018

FOGLIO 1

SCALA

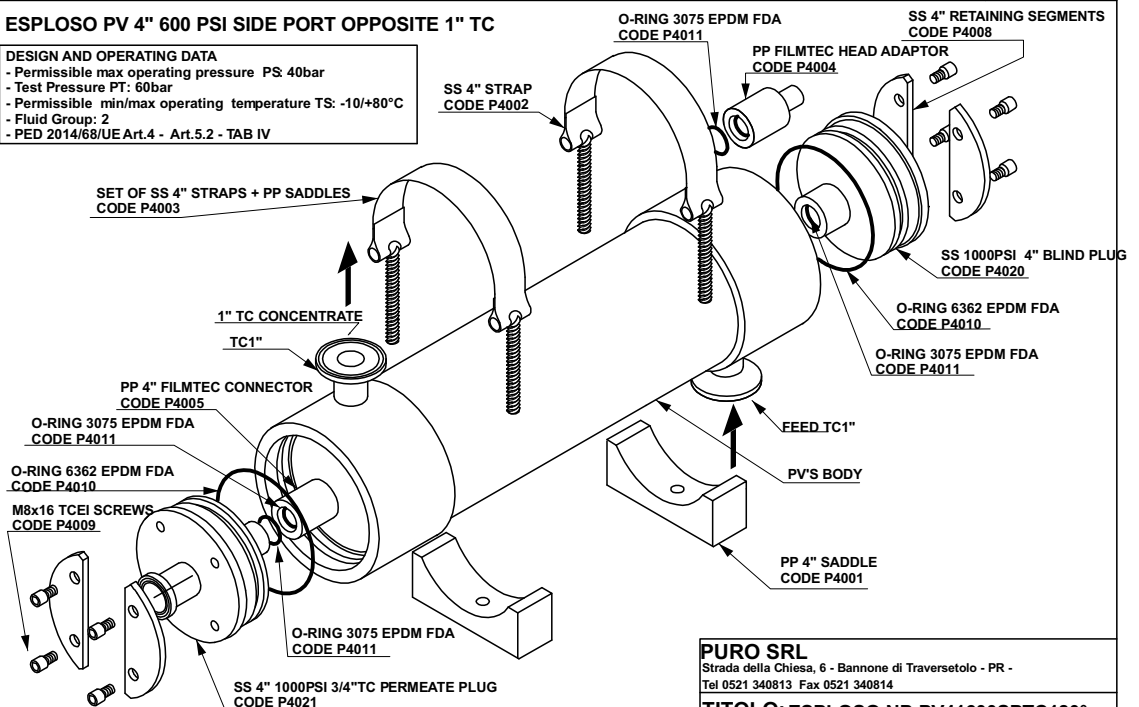
CLIENTE :



## ESPLOSO PV 4" 600 PSI SIDE PORT OPPOSITE 1" TC

### DESIGN AND OPERATING DATA

- Permissible max operating pressure PS: 40bar
- Test Pressure PT: 60bar
- Permissible min/max operating temperature TS: -10/+80°C
- Fluid Group: 2
- PED 2014/68/UE Art.4 - Art.5.2 - TAB IV



### PURO SRL

Strada della Chiesa, 6 - Bannone di Traversetolo - PR -  
Tel 0521 340813 Fax 0521 340814

TITOLO: ESPLOSO NP-PV41600SPTC180°

DISEGNO

DIS.

DATA : 2018

FOGLIO 1

SCALA

CLIENTE :



# Stainless Steel PRESSURE VESSELS

3.8-4"

Testata Pressure vessel per RO, UF con attacchi laterali TC da 2", Testata TC da 4" e permeato TC da 1" adatti per membrane standard o del tipo Full-fit

**PV RO UF 3,8"- 4" TC SIDE PORT  
AND TC AND CAP SANITARY**

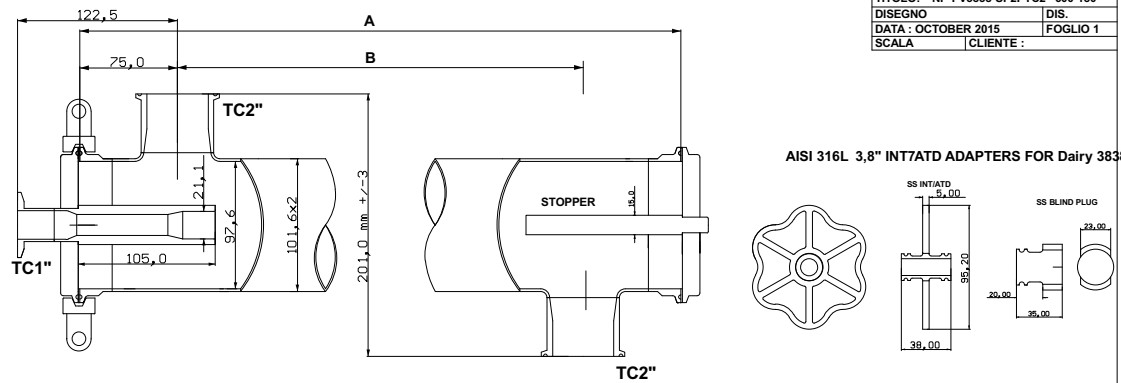


Sono disponibili anche set di interconnettori e ATD in acciaio inossidabile per membrane sanitarie e sanitizzabili a caldo

# Stainless Steel PRESSURE VESSELS

3.8"

**PV 3,8" 600 Psi for UF/NF/RO 3838/3839 membrane elements**

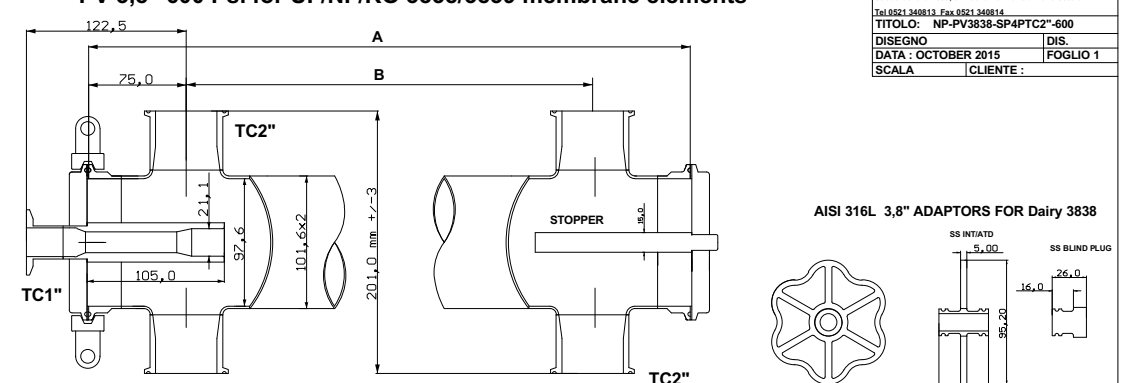


**PURO SRL**  
Strada della Chiesa, 6 - 43029 Bannone di Traversetolo - PR -  
Tel.0521.340813 Fax.0521.340814  
TITOLO: NP-PV3838-SP2PTC2"-600-180°  
DISEGNO DIS.  
DATA : OCTOBER 2015 FOGLIO 1  
SCALA CLIENTE :

Puro stainless steel Pressure Vessels										
3,8" Model Sanitary Eploy up to - 600 Psi with high pressure Triclamps										
Triclamp end plug . Side ports clamps connections oriented on the same side 0° or opposites 180°										
Code	Model N°	elem.	A mm	B	O.D. mm	Feed	Conc.	Perm.	SS ATD KIT	€ Prices
NP- PV381600SPTC180	3838	1	1230	1080	101.6x2	TC 2"	TC 2"	TC 1"		
NP- PV382600SPTC180	3872	2	2205	2055	101.6x2	TC 2"	TC 2"	TC 1"		
NP- PV383600SPTC180	38114	3	3195	3045	101.6x2	TC 2"	TC 2"	TC 1"		
NP- PV384600SPTC180	38152	4	4185	4035	101.6x2	TC 2"	TC 2"	TC 1"		
NP- PV385600SPTC180	38190	5	5175	5025	101.6x2	TC 2"	TC 2"	TC 1"		

**Outside Surface finishing: 180 grit**  
**Inside surface finishing: 2B Ra<0,8**  
**Inside Long weld seam cold drawn, circumferential welds grounded Ra<1,6**

**PV 3,8" 600 Psi for UF/NF/RO 3838/3839 membrane elements**



**PURO SRL**  
Strada della Chiesa, 6 - 43029 Bannone di Traversetolo - PR -  
Tel.0521.340813 Fax.0521.340814  
TITOLO: NP-PV3838-SP4PTC2"-600  
DISEGNO DIS.  
DATA : OCTOBER 2015 FOGLIO 1  
SCALA CLIENTE :

Puro stainless steel Pressure Vessels										
3,8" Model Sanitary Eploy up to - 600 Psi with high pressure Triclamps										
Triclamp end plug . Side ports clamps connections oriented on the same side 0° or opposites 180°										
Code	Model N°	elem.	A mm	B	O.D. mm	Feed	Conc.	Perm.	SS ATD Kit	€ Prices
NP- PV3816004SPTC	3838	1	1230	1080	101.6x2	TC 2"	TC 2"	TC 1"		
NP- PV3826004SPTC	3872	2	2247	2097	101.6x2	TC 2"	TC 2"	TC 1"		
NP- PV3836004SPTC	38114	3	3265	3115	101.6x2	TC 2"	TC 2"	TC 1"		
NP- PV3846004SPTC	38152	4	4280	4130	101.6x2	TC 2"	TC 2"	TC 1"		
NP- PV3856004SPTC	38190	5	5300	5150	101.6x2	TC 2"	TC 2"	TC 1"		

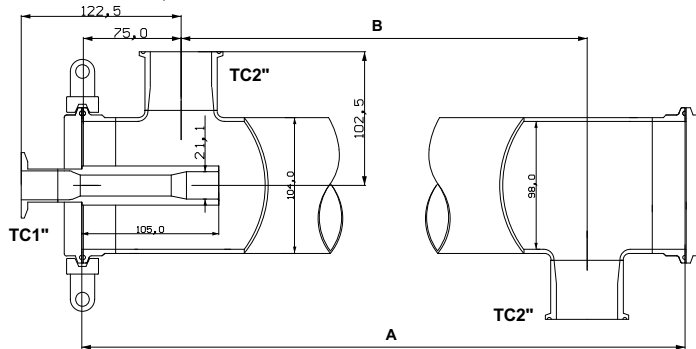
**Outside Surface finishing: 180 grit**  
**Inside surface finishing: 2B Ra<0,8**  
**Inside Long weld seam cold drawn, circumferential welds grounded Ra<1,6**



# Stainless Steel PRESSURE VESSELS

3.8"

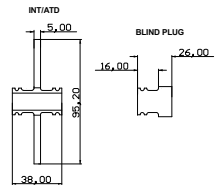
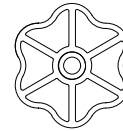
PV 3,8" 1000 Psi for UF/NF/RO 3838/3840 membrane elements



**PURO SRL**  
Strada della Chiesa, 6 - 43029 Bannone di Traversetolo - PR -  
Tel.0521 340813 Fax.0521 340814  
TITOLO: NP PV3838-SPTC180°- 1000psi  
DISEGNO DIS.  
DATA : OCTOBER 2015 FOGLIO 1  
SCALA CLIENTE :

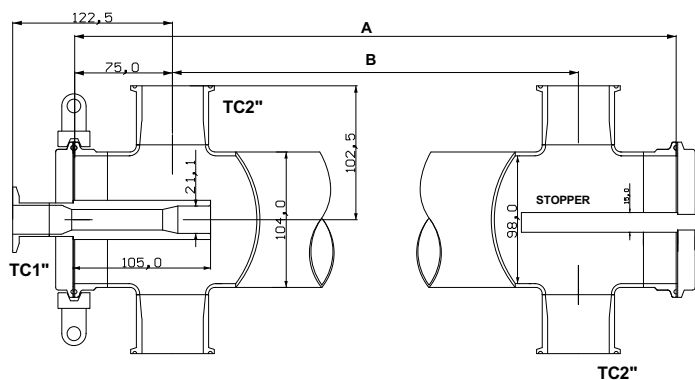
Puro stainless steel Pressure Vessels										
3.8" Model Sanitary Eploy up to - 1000 Psi with high pressure Triclamps										
Triclamp end plug . Side ports clamps connections oriented on the same side 0° or opposites 180°										
Code	ModelN°	elem.	A mm	B	O.D. mm	Feed	Conc.	Perm.	SS ATD kit	€ Prices
NP- PV3811000SPTC180°	3838	1	1230	1080	104X3	TC 2"	TC 2"	TC 1"		
NP- PV3821000SPTC180°	3872	2	2205	2055	104X3	TC 2"	TC 2"	TC 1"		
NP- PV3831000SPTC180°	38114	3	3195	3045	104X3	TC 2"	TC 2"	TC 1"		
NP- PV3841000SPTC180°	38152	4	4185	4035	104X3	TC 2"	TC 2"	TC 1"		
NP- PV3851000SPTC180°	38190	5	5175	5025	104X3	TC 2"	TC 2"	TC 1"		

AISI 316L 3.8" ADAPTORS FOR Dairy 3838



Outside Surface finishing: 180 grit  
Inside surface finishing: 2B Ra<0,8  
Inside Long weld seam cold drawn, circumferential welds grounded Ra<1,6

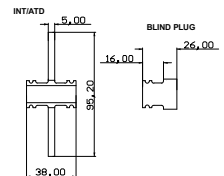
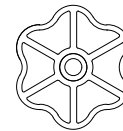
PV 3,8" 1000 Psi for UF/NF/RO 3838/3839 membrane elements



**PURO SRL**  
Strada della Chiesa, 6 - 43029 Bannone di Traversetolo - PR -  
Tel.0521 340813 Fax.0521 340814  
TITOLO: NP-PV3838-SP4PTC- 1000psi  
DISEGNO DIS.  
DATA : OCTOBER 2015 FOGLIO 1  
SCALA CLIENTE :

Puro stainless steel Pressure Vessels										
3.8" Model Sanitary Eploy up to - 1000 Psi with high pressure Triclamps										
Triclamp end plug . Side ports clamps connections oriented on the same side 0° or opposites 180°										
Code	ModelN°	elem.	A mm	B	O.D. mm	Feed	Conc.	Perm.	SS ATD kit	€ Prices
NP- PV3811000SP4PTC	3838	1	1230	1080	104X3	TC 2"	TC 2"	TC 1"		
NP- PV3821000SP4PTC	3872	2	2205	2055	104X3	TC 2"	TC 2"	TC 1"		
NP- PV3831000SP4PTC	38114	3	3195	3045	104X3	TC 2"	TC 2"	TC 1"		
NP- PV3841000SP4PTC	38152	4	4185	4035	104X3	TC 2"	TC 2"	TC 1"		
NP- PV3851000SP4PTC	38190	5	5175	5025	104X3	TC 2"	TC 2"	TC 1"		

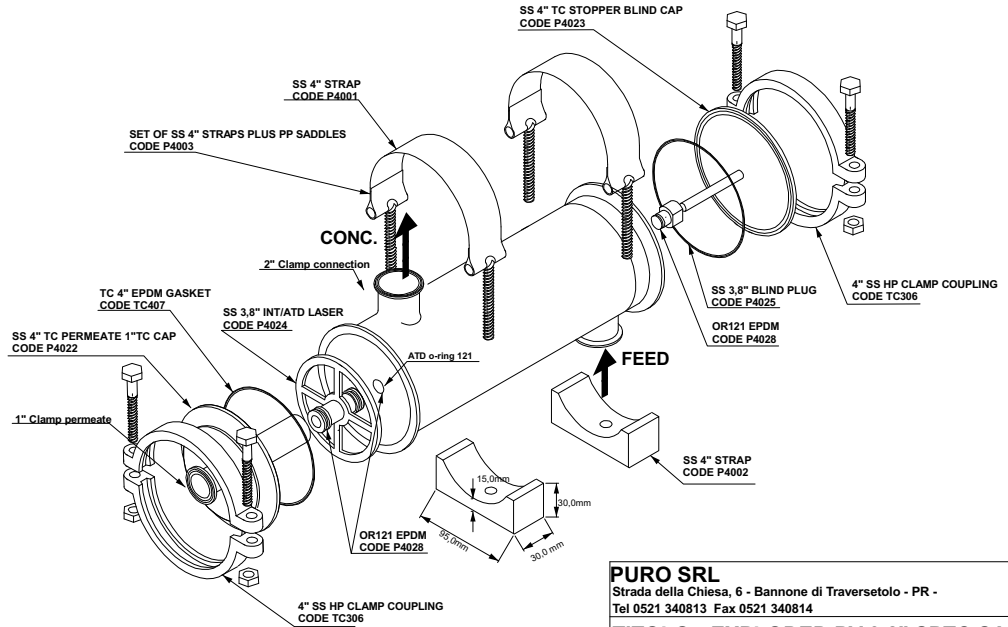
AISI 316L 3.8" ADAPTORS FOR Dairy 3838



# Stainless Steel PRESSURE VESSELS

3.8"

EXPLODED PRESSURE VESSEL 3,8" SIDE PORT TC SUITABLE FOR SANITARY MEMBRANE ELEMENTS



**PURO SRL**  
Strada della Chiesa, 6 - Bannone di Traversetolo - PR -  
Tel 0521 340813 Fax 0521 340814

**TITOLO: EXPLODED PV 3,8" SPTC SANITARY**



DISEGNO DIS.

DATA : OCTOBER 2015 FOGLIO 1

SCALA CLIENTE :

# Stainless Steel PRESSURE VESSELS

6.3"

Testata Pressure vessel per RO, UF con attacchi laterali TC da 3", Testata TC da 6,3" e permeato TC da 1" adatti per membrane standard o del tipo Full-fit

**PV UF 6,3" SIDE PORT**

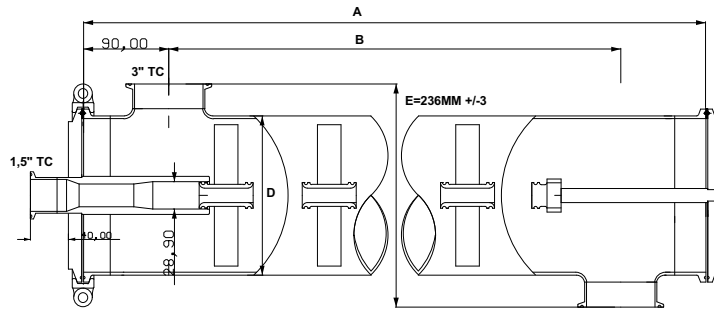


Sono disponibili anche set di interconnettori e ATD in acciaio inossidabile per membrana sanitarie e sanitizzabili a caldo

# Stainless Steel PRESSURE VESSELS

6.3"

**PV 6,3" 250 Psi for Food & Dairy Sanitary membrane elements**



**PURO srl**

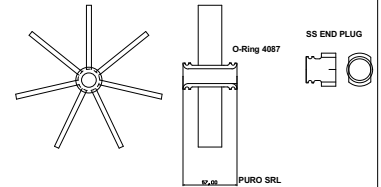
Strada della Chiesa, 6 43029 Bannone di Traversetolo - PR  
Tel 0521 340813 Fax 0521 340814

TITOLO: NP PV6.3-250SPTC3" 180°

DISEGNO DIS.  
DATA : OCTOBER 2015 FOGLIO 1

SCALA CLIENTE :

**KIT INT/ATD**

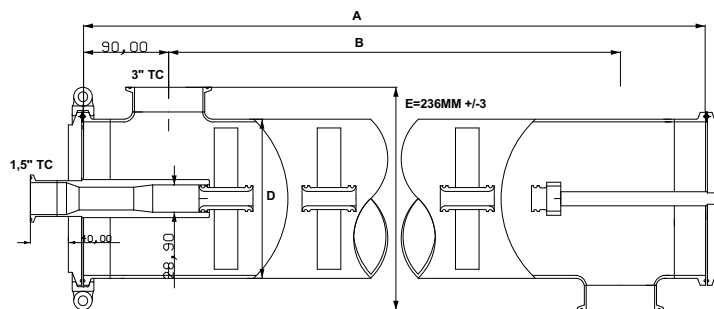


PURO STAINLESS STEEL PRESSURE VESSELS AISI 316L										
6.3" 300 PSI ALL SANITARY CONNECTION FOR DAIRY MEMBRANE ELEMENTS WITHOUT PLASTIC ATD										
S.S. TC END PLUG - TC HEAVY CLAMP										
MODEL	N° OF EL.	A	E	B	D	FEED	CONC.	PERM.	SET SS ATD	€ PRICES
NP-PV6.31250SPTC	1	1290	236	1110	168X2,6	3" TC	3" TC	TC1"1/2		
NP-PV6.32250SPTC	2	2285	236	2105	168X2,6	3" TC	3" TC	TC1"1/2		
NP-PV6.33250SPTC	3	3275	236	3095	168X2,6	3" TC	3" TC	TC1"1/2		
NP-PV6.34250SPTC	4	4265	236	4085	168X2,6	3" TC	3" TC	TC1"1/2		
NP-PV6.35250SPTC	5	5255	236	5075	168X2,6	3" TC	3" TC	TC1"1/2		
NP-PV6.36250SPTC	6	6245	236	6065	168X2,6	3" TC	3" TC	TC1"1/2		



Outside Surface finishing: 180 grit  
Inside surface finishing: 2B Ra<0,8  
Inside Long weld seam cold-drawn, circumferential welds grounded Ra<1,6

**PV 6,3" 250 Psi for Food & Dairy Sanitary membrane elements**



**PURO srl**

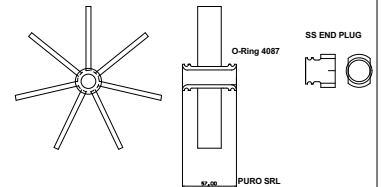
Strada della Chiesa, 6 43029 Bannone di Traversetolo - PR  
Tel 0521 340813 Fax 0521 340814

TITOLO: NP PV6.3-250SPTC3" 180°

DISEGNO DIS.  
DATA : OCTOBER 2015 FOGLIO 1

SCALA CLIENTE :

**KIT INT/ATD**



PURO STAINLESS STEEL PRESSURE VESSELS AISI 316L										
6.3" 300 PSI ALL SANITARY CONNECTION FOR DAIRY MEMBRANE ELEMENTS WITHOUT PLASTIC ATD										
S.S. TC END PLUG - TC HEAVY CLAMP										
MODEL	N° OF EL.	A	E	B	D	FEED	CONC.	PERM.	SET SS ATD	€ PRICES
NP-PV6.31250SPTC	1	1290	236	1110	168X2,6	3" TC	3" TC	TC1"1/2		
NP-PV6.32250SPTC	2	2285	236	2105	168X2,6	3" TC	3" TC	TC1"1/2		
NP-PV6.33250SPTC	3	3275	236	3095	168X2,6	3" TC	3" TC	TC1"1/2		
NP-PV6.34250SPTC	4	4265	236	4085	168X2,6	3" TC	3" TC	TC1"1/2		
NP-PV6.35250SPTC	5	5255	236	5075	168X2,6	3" TC	3" TC	TC1"1/2		
NP-PV6.36250SPTC	6	6245	236	6065	168X2,6	3" TC	3" TC	TC1"1/2		

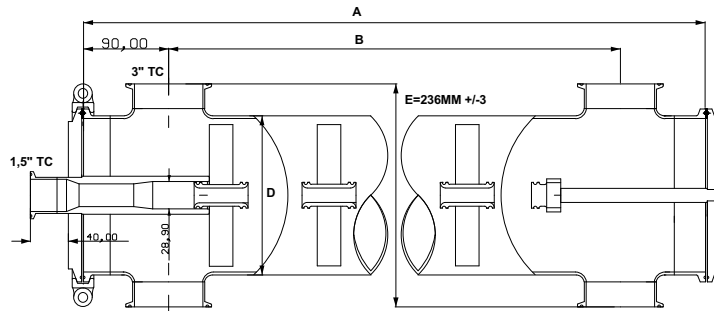


Outside Surface finishing: 180 grit  
Inside surface finishing: 2B Ra<0,8  
Inside Long weld seam cold-drawn, circumferential welds grounded Ra<1,6

# Stainless Steel PRESSURE VESSELS

6.3"

PV 6,3" 250 Psi for Food & Dairy Sanitary membrane elements



**PURO srl**

Strada della Chiesa, 6 43029 Bannone di Traversetolo - PR  
Tel 0521 340813 Fax 0521 340814

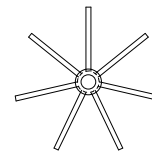
TITOLO: NP PV6.3-250SP4PTC3" 180°

DISEGNO DIS.

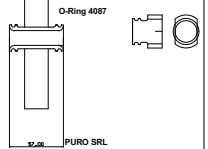
DATA : OCTOBER 2015 FOGLIO 1

SCALA CLIENTE :

SS INT/ATD



SS END PLUG



PURO STAINLESS STEEL PRESSURE VESSELS AISI 316L										
6,3" 250 PSI ALL SANITARY CONNECTION FOR DAIRY MEMBRANE ELEMENTS WITHOUT PLASTIC ATD										
S.S. TC END PLUG - TC HEAVY CLAMP										
MODEL	N° OF EL.	A	E	B	D	FEED	CONC.	PERM.	SET SS ATD	€ PRICES
NP-PV6.31250SP4PTC	1	1290	236	1110	168X2,6	3" TC	3" TC	TC1"1/2		
NP-PV6.32250SP4PTC	2	2285	236	2105	168X2,6	3" TC	3" TC	TC1"1/2		
NP-PV6.33250SP4PTC	3	3275	236	3095	168X2,6	3" TC	3" TC	TC1"1/2		
NP-PV6.34250SP4PTC	4	4265	236	4085	168X2,6	3" TC	3" TC	TC1"1/2		
NP-PV6.35250SP4PTC	5	5255	236	5075	168X2,6	3" TC	3" TC	TC1"1/2		
NP-PV6.36250SP4PTC	6	6245	236	6065	168X2,6	3" TC	3" TC	TC1"1/2		

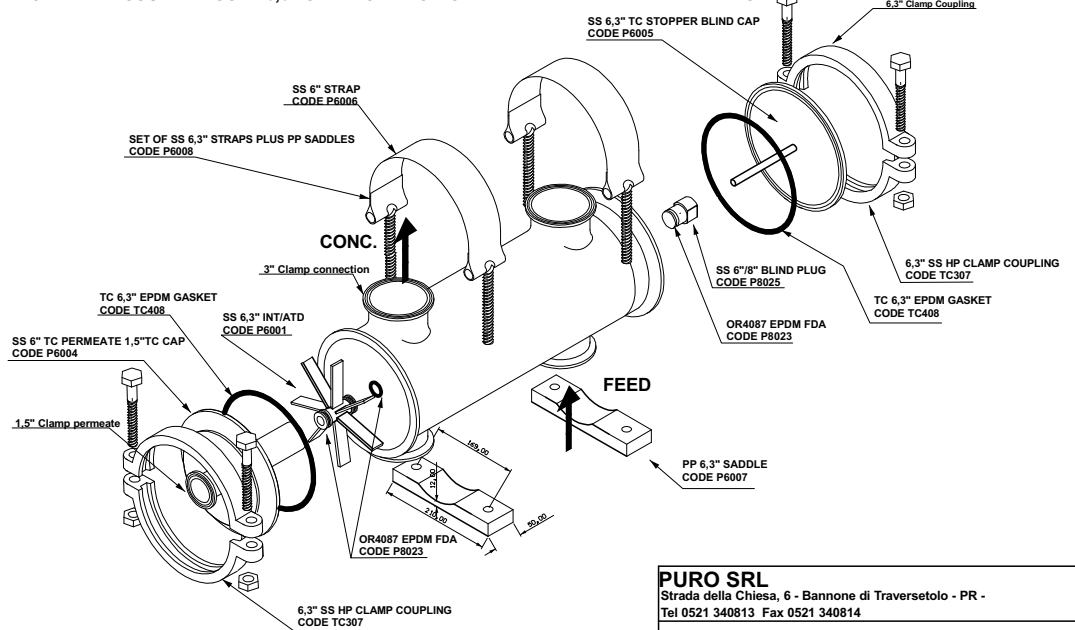


Outside Surface finishing: 180 grit  
Inside surface finishing: 2B Ra<0,8  
Inside Long weld seam cold-drawn, circumferential welds grounded Ra<1,6

## Stainless Steel PRESSURE VESSELS

# 6.3"

### EXPLODED PRESSURE VESSEL 6.3" SIDE PORT FOR SANITARY MEMBRANE ELEMENTS



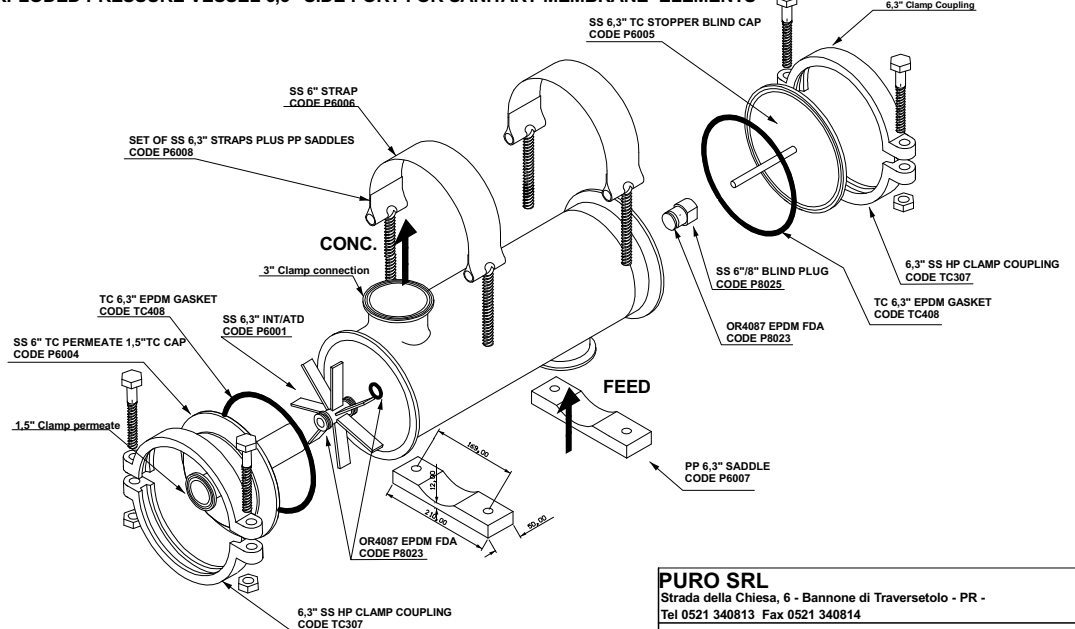
**PURO SRL**  
Strada della Chiesa, 6 - Bannone di Traversetolo - PR -  
Tel 0521 340813 Fax 0521 340814

**TITOLO: ESPLOSO PV 6.3" SPTC3"**

<b>DISEGNO</b>	<b>DIS.</b>
<b>DATA : OCTOBER 2105</b>	<b>FOGLIO 1</b>
<b>SCALA</b>	<b>CLIENTE :</b>



### EXPLODED PRESSURE VESSEL 6.3" SIDE PORT FOR SANITARY MEMBRANE ELEMENTS



**PURO SRL**  
Strada della Chiesa, 6 - Bannone di Traversetolo - PR -  
Tel 0521 340813 Fax 0521 340814

**TITOLO: ESPLOSO PV 6.3" SPTC3"**

<b>DISEGNO</b>	<b>DIS.</b>
<b>DATA : OCTOBER 2105</b>	<b>FOGLIO 1</b>
<b>SCALA</b>	<b>CLIENTE :</b>



# Stainless Steel PRESSURE VESSELS

8"

Testata Pressure vessel RO da 8" con attacchi di testa Victaulic per alimento e concentrato e da 1" BSP F per il permeato

PV RO 8"



I pressure Vessels sono forniti completi di interconnettori di testa in PVC adatti per le membrane che il cliente utilizza

# Stainless Steel PRESSURE VESSELS

8"

**8" PV with TC connections**



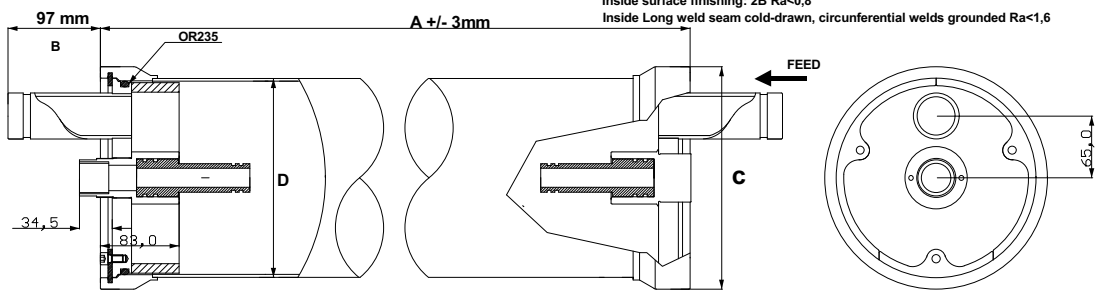


# Stainless Steel PRESSURE VESSELS

8"

**PV 8" EP VIC 400 PSI**

Outside Surface finishing: 180 grit  
Inside surface finishing: 2B Ra<0,8  
Inside Long weld seam cold-drawn, circumferential welds grounded Ra<1,6



PURO STAINLESS STEEL PRESSURE VESSELS AISI 316L									
8" TYPE 400 PSI VICTAULIC CONNECTIONS END PORTED									
S.S. END PLUG - HEAD INTERLOCK: S.S. LOCKING RING SET									
Code	MODEL	N° OF EL.	A	C	D	FEED	CONC.	PERM. 1	€ PRICES
NP-PV81400EPVIC	8040	1	1190	234	209	1,5" VIC	1,5" VIC	1" GAS F	
NP-PV82400EPVIC	8080	2	2210	234	209	1,5" VIC	1,5" VIC	1" GAS F	
NP-PV83400EPVIC	80120	3	3230	234	209	1,5" VIC	1,5" VIC	1" GAS F	
NP-PV84400EPVIC	80160	4	4240	234	209	1,5" VIC	1,5" VIC	1" GAS F	
NP-PV85400EPVIC	80200	5	5260	234	209	1,5" VIC	1,5" VIC	1" GAS F	
NP-PV86400EPVIC	80240	6	6275	234	209	1,5" VIC	1,5" VIC	1" GAS F	

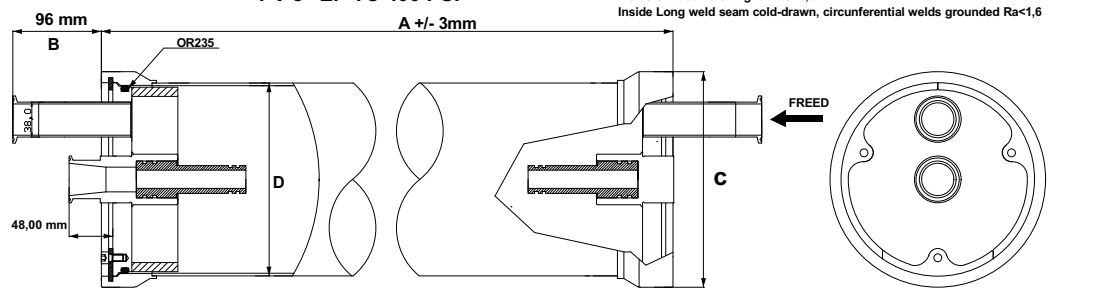
**DESIGN AND OPERATING DATA**

- Permissible max operating pressure PS: 27bar
- Test Pressure PT: 40bar
- Permissible min/max operating temperature TS: -10/+80°C
- Fluid Group: 2
- PED: Art 3.3
- Volume: from 36lt to 198lt depending on the length
- Weight: from 45kg to 139kg depends on the length

**PURO Srl**  
Strada della Chiesa, 6 43029 Bannone di Traversetolo - PR -  
Tel 0521 340813 Fax 0521 340814  
TITOLO: NP-PV8400EPVIC  
DISEGNO DIS.  
DATA : OTTOBRE 2015 FOGLIO 1  
P.O. CLIENTE :

**PV 8" EP TC 400 PSI**

Outside Surface finishing: 180 grit  
Inside surface finishing: 2B Ra<0,8  
Inside Long weld seam cold-drawn, circumferential welds grounded Ra<1,6



PURO STAINLESS STEEL PRESSURE VESSELS AISI 316L									
8" Model 400 PSI TRICLAMPS CONNECTIONS END PORTED									
S.S. END PLUG - HEAD INTERLOCK: S.S. LOCKING RING SET									
Code	MODEL	N° OF EL.	A	C	D	FEED	CONC.	PERM. 1	€ PRICES
NP-PV81400EPTC	8040	1	1190	234	209	1,5" TC	1,5" TC	1,5" TC	
NP-PV82400EPTC	8080	2	2210	234	209	1,5" TC	1,5" TC	1,5" TC	
NP-PV83400EPTC	80120	3	3230	234	209	1,5" TC	1,5" TC	1,5" TC	
NP-PV84400EPTC	80160	4	4240	234	209	1,5" TC	1,5" TC	1,5" TC	
NP-PV85400EPTC	80200	5	5260	234	209	1,5" TC	1,5" TC	1,5" TC	
NP-PV86400EPTC	80240	6	6275	234	209	1,5" TC	1,5" TC	1,5" TC	

**DESIGN AND OPERATING DATA**

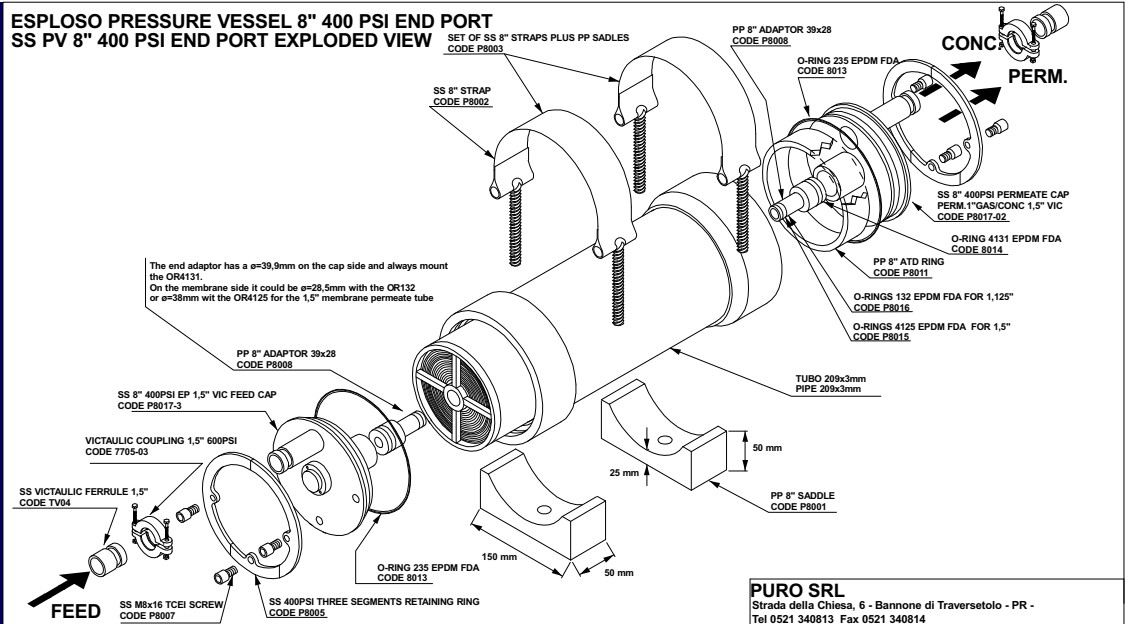
- Permissible max operating pressure PS: 27bar
- Test Pressure PT: 40bar
- Permissible min/max operating temperature TS: -10/+80°C
- Fluid Group: 2
- PED: Art 3.3
- Volume: from 36lt to 198lt depending on the length
- Weight: from 45kg to 139kg depends on the length

**PURO Srl**  
Strada della Chiesa, 6 43029 Bannone di Traversetolo - PR -  
Tel 0521 340813 Fax 0521 340814  
TITOLO: NP-PV8400EPTC  
DISEGNO DIS.  
DATA : OTTOBRE 2015 FOGLIO 1  
P.O. CLIENTE :

# Stainless Steel PRESSURE VESSELS

8"

**ESPLOSO PRESSURE VESSEL 8" 400 PSI END PORT  
SS PV 8" 400 PSI END PORT EXPLODED VIEW**



**PURO SRL**  
Strada della Chiesa, 6 - Bannone di Traversetolo - PR -  
Tel 0521 340813 Fax 0521 340814

**TITOLO: ESPLOSO PV 8" 400PSI EP**

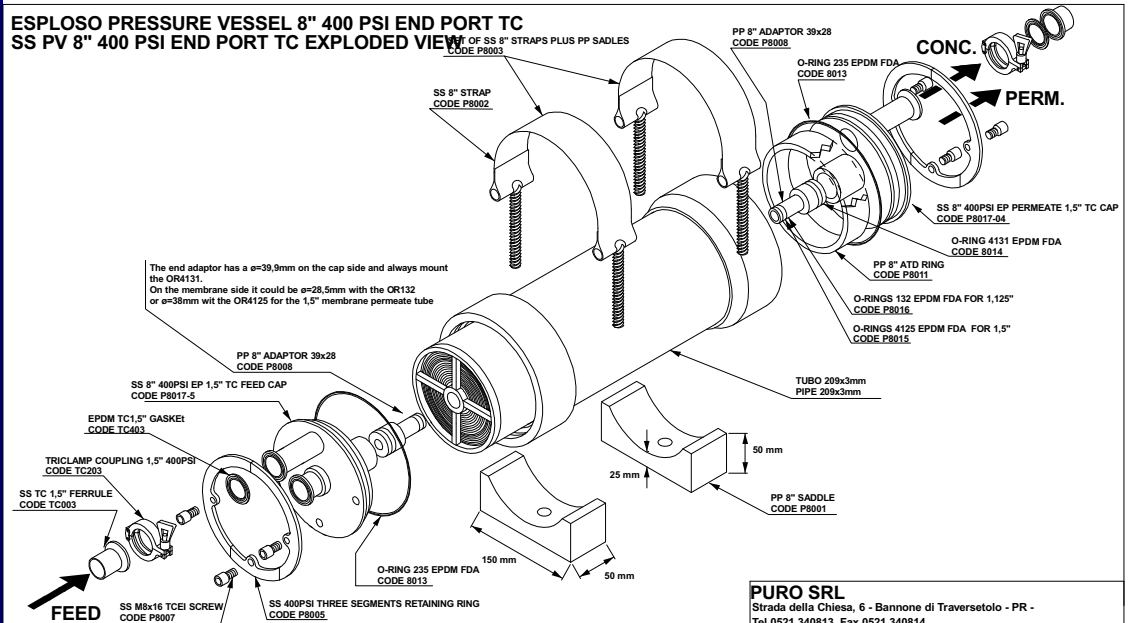
DISEGNO DIS.

DATA : OCTOBER 2015 FOGLIO 1

SCALA CLIENTE :



**ESPLOSO PRESSURE VESSEL 8" 400 PSI END PORT TC  
SS PV 8" 400 PSI END PORT TC EXPLODED VIEW**



**PURO SRL**  
Strada della Chiesa, 6 - Bannone di Traversetolo - PR -  
Tel 0521 340813 Fax 0521 340814

**TITOLO: ESPLOSO PV 8" 400PSI EP TC**

DISEGNO DIS.

DATA : OCTOBER 2015 FOGLIO 1

SCALA CLIENTE :



# Stainless Steel PRESSURE VESSELS

8"

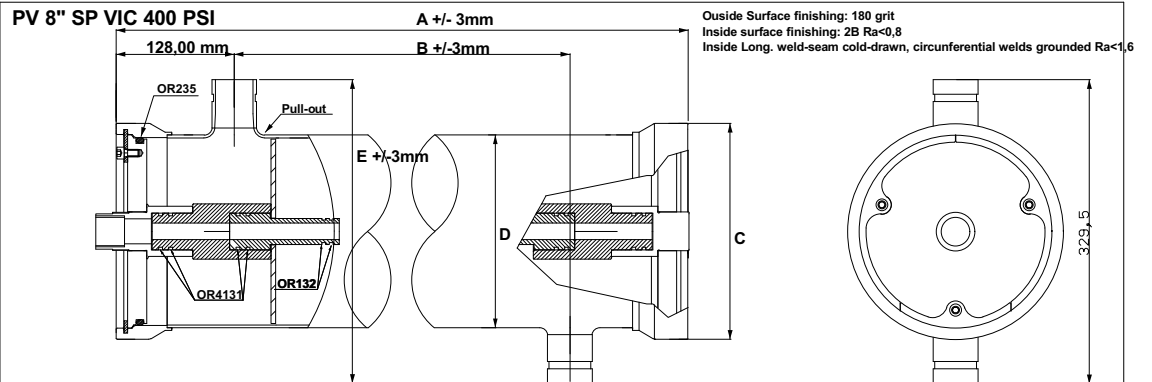


**8" PV SIDE PORT  
CONNECTIONS**



# Stainless Steel PRESSURE VESSELS

8"



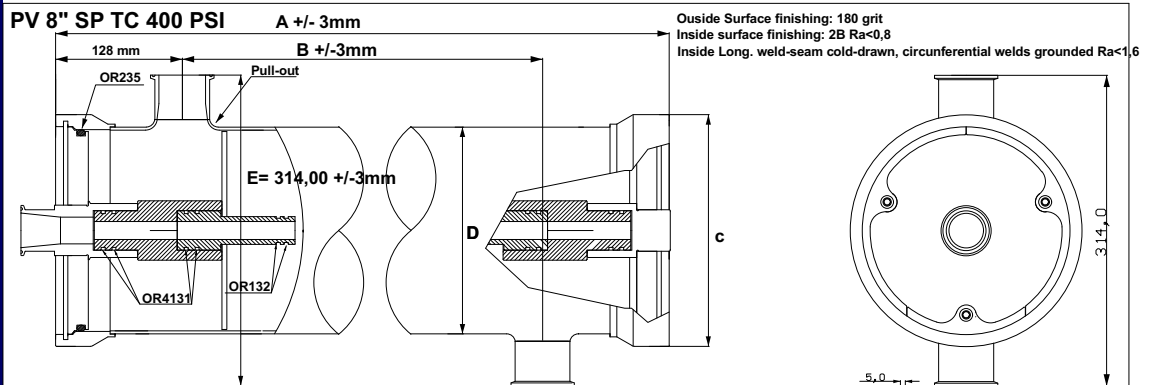
PURO STAINLESS STEEL PRESSURE VESSELS AISI 316L  
8" TYPE 400 PSI Side Port Victaulic connections opposite oriented 180°  
S.S. END PLUG - HEAD INTERLOCK: S.S. LOCKING THREE SEGMENTS RING SET

Code	MODEL	N° OF EL.	A	E	B	C	D	FEED	CONC.	PERM.	€ PRICES
NP PV81400SPVIC180°	8040	1	1363	329	1107	234	209	1.5" VIC	1.5" VIC	1" BSP	
NP PV82400SPVIC180°	8080	2	2379	329	2123	234	209	1.5" VIC	1.5" VIC	1" BSP	
NP PV83400SPVIC180°	80120	3	3399	329	3143	234	209	1.5" VIC	1.5" VIC	1" BSP	
NP PV84400SPVIC180°	80160	4	4416	329	4160	234	209	1.5" VIC	1.5" VIC	1" BSP	
NP PV85400SPVIC180°	80200	5	5435	329	5179	234	209	1.5" VIC	1.5" VIC	1" BSP	
NP PV86400SPVIC180°	80240	6	6452	329	6196	234	209	1.5" VIC	1.5" VIC	1" BSP	

**DESIGN AND OPERATING DATA**

- Permissible max operating pressure PS: 27bar
- Test Pressure PT: 40bar
- Permissible min/max operating temperature TS: -10/+80°C
- Fluid Group: 2
- PED: 2014/68/UE Art. 4 Tab. IV
- Volume: from 42lt to 205lt depending on the length
- Weight: from 50kg to 145kg depends on the length

**PURO Srl**  
Strada della Chiesa, 6 43029 Bannone di Traversetolo - PR -  
Tel 0521 340813 Fax 0521 340814  
TITOLO: NP-PV8SPVIC180°  
DISEGNO DATA : OCTOBER 2015 DIS. FOGLIO 1  
SCALA CLIENTE :



PURO STAINLESS STEEL PRESSURE VESSELS AISI 316L  
8" Model 400 PSI Side Port Triclamps connections opposite oriented 180°  
S.S. END PLUG - HEAD INTERLOCK: S.S. LOCKING THREE SEGMENTS RING SET 4mm THICK

Code	MODEL	N° OF EL.	A	E	B	C	D	FEED	CONC.	PERM.	Price €
NP PV81400SPTC180°	8040	1	1363	314	1107	234	209	2" TC	2" TC	1" 1/2 TC	
NP PV82400SPTC180°	8080	2	2379	314	2123	234	209	2" TC	2" TC	1" 1/2 TC	
NP PV83400SPTC180°	80120	3	3399	314	3143	234	209	2" TC	2" TC	1" 1/2 TC	
NP PV84400SPTC180°	80160	4	4416	314	4160	234	209	2" TC	2" TC	1" 1/2 TC	
NP PV85400SPTC180°	80200	5	5435	314	5179	234	209	2" TC	2" TC	1" 1/2 TC	
NP PV86400SPTC180°	80240	6	6452	314	6196	234	209	2" TC	2" TC	1" 1/2 TC	

**DESIGN AND OPERATING DATA**

- Permissible max operating pressure PS: 27bar
- Test Pressure PT: 40bar
- Permissible min/max operating temperature TS: -10/+80°C
- Fluid Group: 2
- PED: 2014/68/UE Art.4 Tab.IV
- Volume: from 42lt to 205lt depending on the length
- Weight: from 50kg to 145kg depends on the length

**PURO Srl**  
Strada della Chiesa, 6 43029 Bannone di Traversetolo - PR -  
Tel 0521 340813 Fax 0521 340814  
TITOLO: NP PV8SPTC180°  
DISEGNO DATA : 01 JANUARY 2015 DIS. FOGLIO 1  
SCALA CLIENTE :

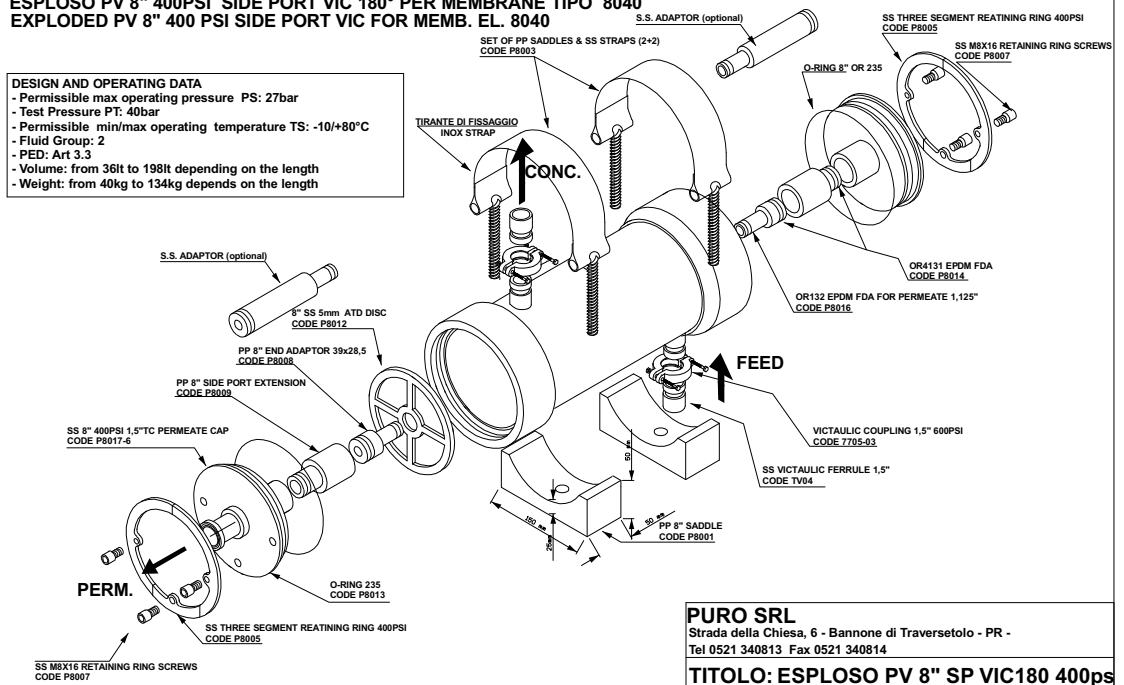


# Stainless Steel PRESSURE VESSELS

8"

**ESPLOSO PV 8" 400PSI SIDE PORT VIC 180° PER MEMBRANE TIPO 8040  
EXPLODED PV 8" 400 PSI SIDE PORT VIC FOR MEMB. EL. 8040**

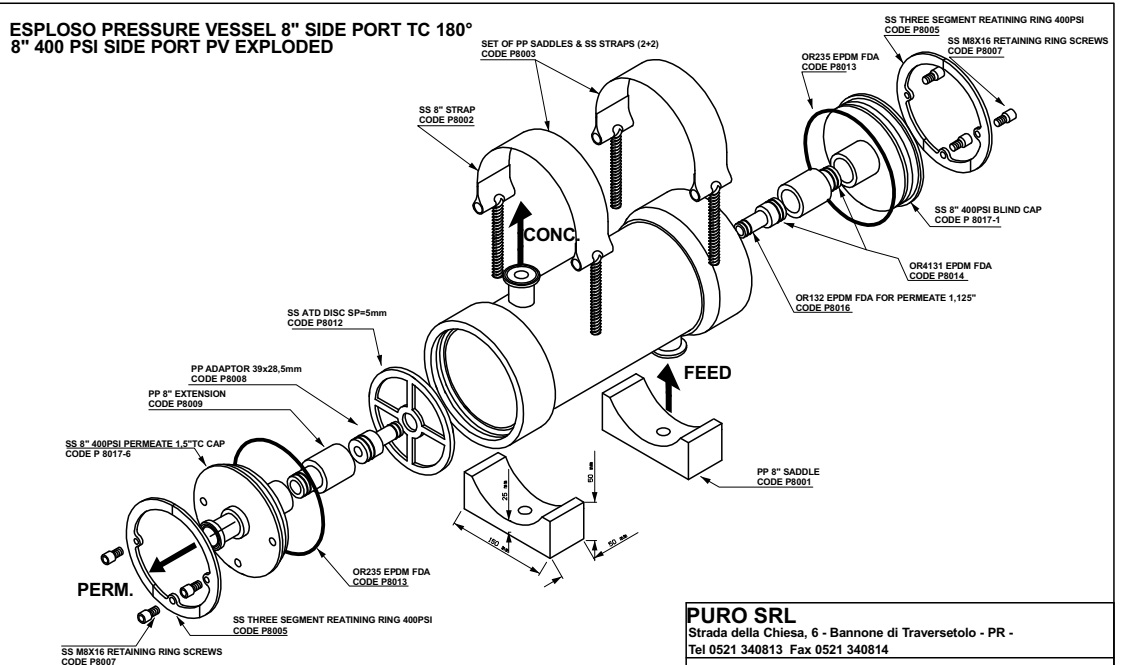
**DESIGN AND OPERATING DATA**  
 - Permissible max operating pressure PS: 27bar  
 - Test Pressure PT: 40bar  
 - Permissible min/max operating temperature TS: -10/+80°C  
 - Fluid Group: 2  
 - PED: Art 3.3  
 - Volume: from 36lit to 198lit depending on the length  
 - Weight: from 40kg to 134kg depends on the length



**PURO SRL**  
 Strada della Chiesa, 6 - Bannone di Traversetolo - PR -  
 Tel 0521 340813 Fax 0521 340814  
**TITOLO: ESPLOSO PV 8" SP VIC180 400ps**  
**DISEGNO** DIS.  
**DATA : OCTOBER 2015** FOGLIO 1  
**SCALA** CLIENTE :



**ESPLOSO PRESSURE VESSEL 8" SIDE PORT TC 180°  
8" 400 PSI SIDE PORT PV EXPLODED**

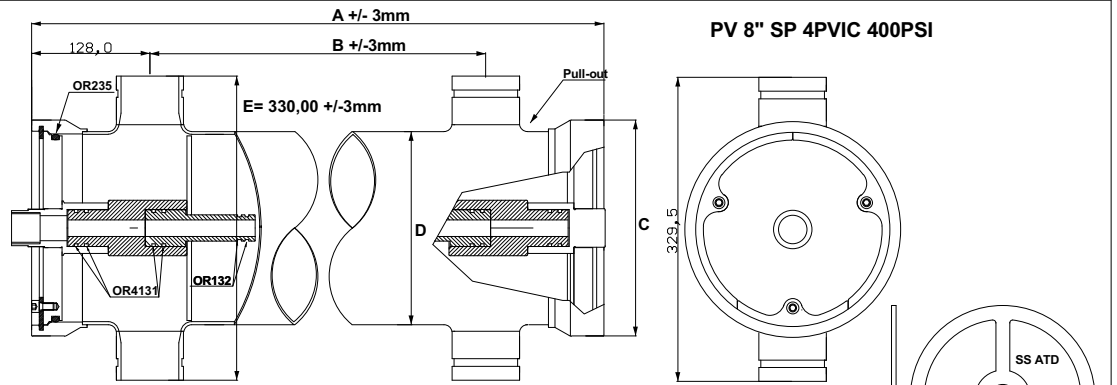


**PURO SRL**  
 Strada della Chiesa, 6 - Bannone di Traversetolo - PR -  
 Tel 0521 340813 Fax 0521 340814  
**TITOLO: ESPLOSO PV 8" 400PSI SP TC**  
**DISEGNO** DIS.  
**DATA : OCTOBER 2015** FOGLIO 1  
**SCALA** CLIENTE :



# Stainless Steel PRESSURE VESSELS

8"



PURO STAINLESS STEEL PRESSURE VESSELS AISI 316L										
8" TYPE 400 PSI SIDE PORT MULTI PORT VICTAULIC CONNECTIONS OPPOSIT ORIENTED										
S.S. END PLUG - HEAD INTERLOCK: S.S. LOCKING RING SET - PP ADAPTORS - SS ATD										
MODEL	N° OF EL.	A	E	B	C	D	FEED	CONC.	PERM.	€ PRICE
NP-PV81400SP4PVIC	1	1365	330	1110	234	209	2,5" VIC	2,5" VIC	1" GAS	
NP-PV82400SP4PVIC	2	2380	330	2124	234	209	2,5" VIC	2,5" VIC	1" GAS	
NP-PV83400SP4PVIC	3	3397	330	3141	234	209	2,5" VIC	2,5" VIC	1" GAS	
NP-PV84400SP4PVIC	4	4415	330	4159	234	209	2,5" VIC	2,5" VIC	1" GAS	
NP-PV85400SP4PVIC	5	5433	330	5177	234	209	2,5" VIC	2,5" VIC	1" GAS	
NP-PV86400SP4PVIC	6	6450	330	6194	234	209	2,5" VIC	2,5" VIC	1" GAS	

**PURO SRL**

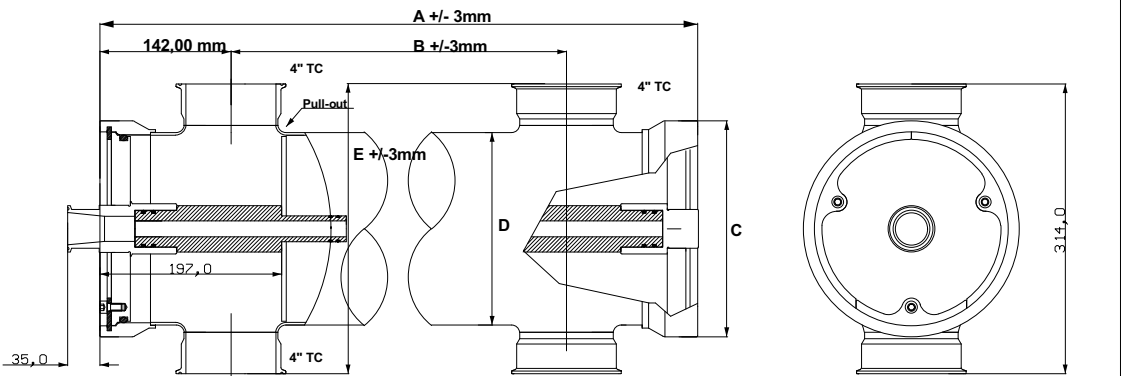
Strada della Chiesa, 6 43029 Bannone di Traversetolo - PR -  
Tel 0521 340813 Fax 0521 340814

TITOLO: NP PV8-400SP4P2,5VIC collared

DESEGNO	DIS.
DATA : OCTOBER 2015	FOGLIO 1
SCALA	CLIENTE :



Outside Surface finishing: 180 grit  
Inside surface finishing: 2B Ra<0,8  
Inside Long. weld-seam cold-drawn, circumferential welds grounded Ra<1,6



PURO STAINLESS STEEL PRESSURE VESSELS AISI 316L											
SS PV 8" TYPE 400psi PIPE 209x3mm, MULTI PORT 4 SIDE PORT TC 4" OPPOSITE ORIENTED											
S.S. END PLUG - HEAD INTERLOCK: S.S. LOCKING RING SET 4m m THICK											
Code	MODEL	N° OF EL.	A	E	B	C	D	FEED	CONC.	PERM.	€ PRICE
NP PV81400SP4PTC4"180	8040	1	1422	314	1138	234	209	4" TC	4" TC	1,5"TC	
NP PV82400SP4PTC4"180	8080	2	2438	314	2154	234	209	4" TC	4" TC	1,5"TC	
NP PV83400SP4PTC4"180	80120	3	3456	314	3172	234	209	4" TC	4" TC	1,5"TC	
NP PV84400SP4PTC4"180	80160	4	4475	314	4191	234	209	4" TC	4" TC	1,5"TC	
NP PV85400SP4PTC4"180	80200	5	5494	314	5210	234	209	4" TC	4" TC	1,5"TC	
NP PV86400SP4PTC4"180	80240	6	6510	314	6226	234	209	4" TC	4" TC	1,5"TC	

**PURO Srl**

Strada della Chiesa, 6 43029 Bannone di Traversetolo - PR -  
Tel 0521 340813 Fax 0521 340814

TYPE: NP PV8\_400SP4PTC4" 142mm

DATA : OCTOBER 2015

FOGLIO 1

SCALA

CLIENTE :

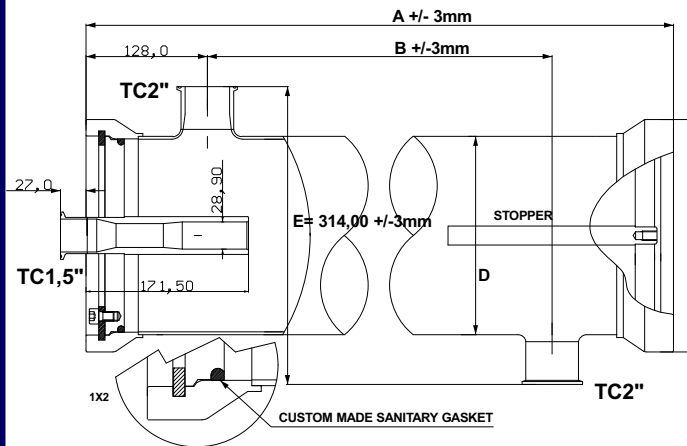


Outside Surface finishing: 180 grit  
Inside surface finishing: 2B Ra<0,8  
Inside Long weld seam cold-drawn, circumferential welds grounded Ra<1,6

# Stainless Steel PRESSURE VESSELS

8"

**PV 8" SP TC 600 PSI DAIRY APPLICATION**



**PURO Srl**

Strada della Chiesa, 6 43029 Bannone di Traversetolo - PR -  
Tel 0521 340813 Fax 0521 340814

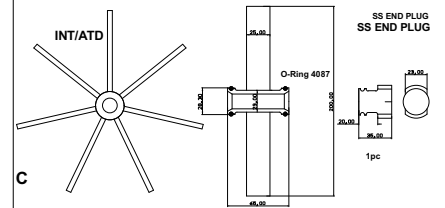
TITOLO: NP-PV8600SPTC 180°

DISEGNO DIS.

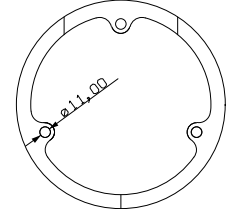
DATA : JUNE 2018 FOGLIO 1

SCALA CLIENTE :

SET OF SS INT/ATD OPTIONAL + SS BLIND PLUG



Three sectors locking ring  
Thickness= 60/10



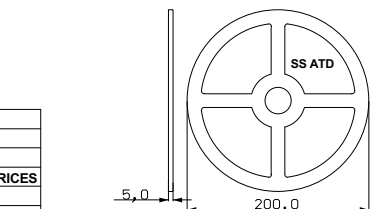
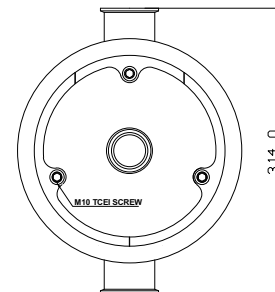
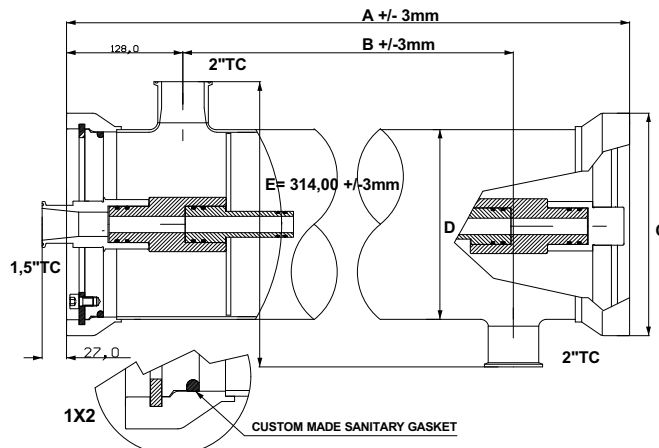
PURO STAINLESS STEEL PRESSURE VESSELS AISI 316L FOR DAIRY APPLICATIONS											
8" 600 PSI TC FITTINGS FOR DAIRY MEMBRANE ELEMENTS WITHOUT PLASTIC ATD											
S.S. END PLUG - HEAD INTERLOCK: S.S. LOCKING RING SET 6mm THICK											
MODEL	N° OF EL.	A	E	B	C	D	FEED	CONC.	PERM.	SS ATD KIT	€ PRICES
NP-PV81600SP2TC180	1	1379	314	1123	245	209	2" TC	2" TC	TC1"1/2		
NP-PV82600SP2TC180	2	2395	314	2139	245	209	2" TC	2" TC	TC1"1/2		
NP-PV83600SP2TC180	3	3410	314	3154	245	209	2" TC	2" TC	TC1"1/2		
NP-PV84600SP2TC180	4	4430	314	4174	245	209	2" TC	2" TC	TC1"1/2		
NP-PV85600SP2TC180	5	5446	314	5190	245	209	2" TC	2" TC	TC1"1/2		
NP-PV86600SP2TC180	6	6465	314	6209	245	209	2" TC	2" TC	TC1"1/2		

**DESIGN AND OPERATING DATA**

- Permissible max operating pressure PS: 27bar
- Test Pressure PT: 40bar
- Permissible min/max operating temperature TS: -10/+80°C
- Fluid Group: 2
- PED: 2014/68/UE Art.4 Tab. IV
- Volume: from 42lt to 205lt depending on the length
- Weight: from 50kg to 145kg depends on the length



Outside Surface finishing: 180 grit  
Inside surface finishing: 2B Ra<0,8  
Inside weld-seam grounded/cold drawn



PURO STAINLESS STEEL PRESSURE VESSELS AISI 316L										
8" 600 PSI TC CONNECTIONS TWO SIDE PORT 180° ORIENTED, SANITARY CUSTOM MADE 8" SEALING										
S.S. END PLUG - HEAD INTERLOCK: S.S. LOCKING RING SET 6mm THICK										
MODEL	N° OF EL.	A	E	B	C	D	FEED	CONC.	PERM.	€ PRICES
NP-PV81600SPTC180	1	1379	314	1123	245	209	2" TC	2" TC	1,5" TC	
NP-PV82600SPTC180	2	2395	314	2139	245	209	2" TC	2" TC	1,5" TC	
NP-PV83600SPTC180	3	3410	314	3154	245	209	2" TC	2" TC	1,5" TC	
NP-PV84600SPTC180	4	4430	314	4174	245	209	2" TC	2" TC	1,5" TC	
NP-PV85600SPTC180	5	5446	314	5190	245	209	2" TC	2" TC	1,5" TC	
NP-PV86600SPTC180	6	6465	314	6209	245	209	2" TC	2" TC	1,5" TC	



Outside Surface finishing: 180 grit  
Inside surface finishing: 2B Ra<0,8  
Inside weld-seam grounded/cold-drawn Ra<1,6

**PURO Srl**

Strada della Chiesa, 6 43029 Bannone di Traversetolo - PR -  
Tel 0521 340813 Fax 0521 340814

TITOLO: NP-PV8600SPTC180°

DATA : OCTOBER 2015 DIS.

SCALA CLIENTE : FOGLIO 1

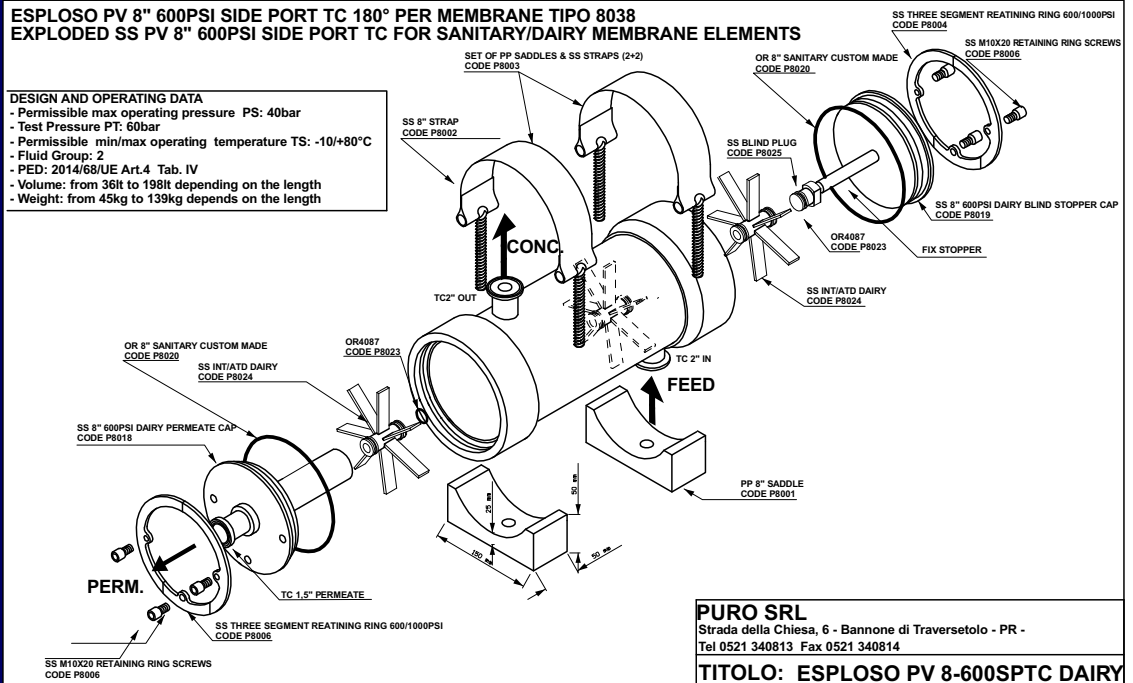
# Stainless Steel PRESSURE VESSELS

8"

**ESPLOSO PV 8" 600PSI SIDE PORT TC 180° PER MEMBRANE TIPO 8038  
EXPLODED SS PV 8" 600PSI SIDE PORT TC FOR SANITARY/DAIRY MEMBRANE ELEMENTS**

**DESIGN AND OPERATING DATA**

- Permissible max operating pressure PS: 40bar
- Test Pressure PT: 60bar
- Permissible min/max operating temperature TS: -10/+80°C
- Fluid Group: 2
- PED: 2014/68/UE Art.4 Tab. IV
- Volume: from 36lt to 198lt depending on the length
- Weight: from 45kg to 139kg depends on the length



**PURO SRL**

Strada della Chiesa, 6 - Bannone di Traversetolo - PR -  
Tel 0521 340813 Fax 0521 340814

**TITOLO: ESPLOSO PV 8-600SPTC DAIRY**

DISEGNO

DIS.

DATA : OCTOBER 2015

FOGLIO 1

SCALA

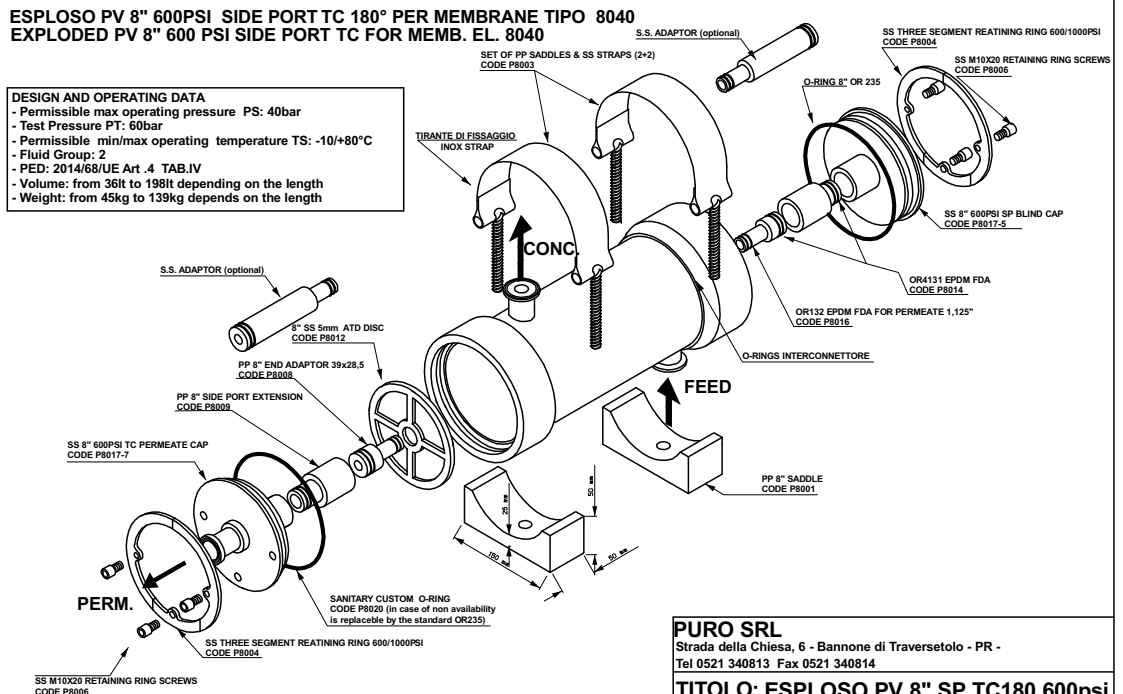
CLIENTE :



**ESPLOSO PV 8" 600PSI SIDE PORT TC 180° PER MEMBRANE TIPO 8040  
EXPLODED PV 8" 600 PSI SIDE PORT TC FOR MEMB. EL. 8040**

**DESIGN AND OPERATING DATA**

- Permissible max operating pressure PS: 40bar
- Test Pressure PT: 60bar
- Permissible min/max operating temperature TS: -10/+80°C
- Fluid Group: 2
- PED: 2014/68/UE Art.4 TAB.IV
- Volume: from 36lt to 198lt depending on the length
- Weight: from 45kg to 139kg depends on the length



**PURO SRL**

Strada della Chiesa, 6 - Bannone di Traversetolo - PR -  
Tel 0521 340813 Fax 0521 340814

**TITOLO: ESPLOSO PV 8" SP TC180 600psi**

DISEGNO

DIS.

DATA : OCTOBER 2015

FOGLIO 1

SCALA

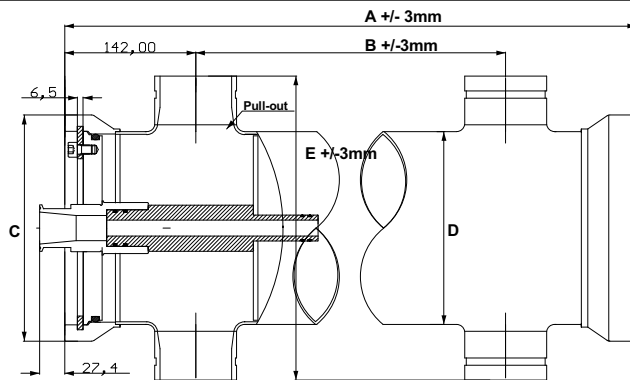
CLIENTE :



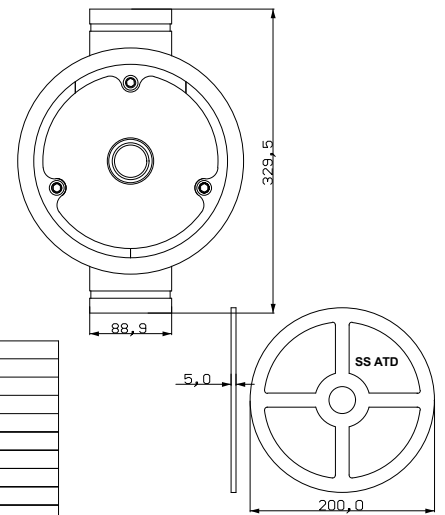


# Stainless Steel PRESSURE VESSELS

8"



PURO STAINLESS STEEL PRESSURE VESSELS AISI 316L										
SS PV 8" TYPE 600psi PIPE 209x3mm, MULTIPORT SIDE PORT 3" VICTAULIC OPPOSITE ORIENTED										
S.S. END PLUG - HEAD INTERLOCK: S.S. LOCKING RING SET 6mm THICK										
Code	MODEL	N° of EL.	A	E	B	C	D	FEED	CONC.	PERM.
NP PV81600SP4PVIC3"180°	8040	1	1436	330	1138	245	209	3" VIC	3" VIC	1,5"TC
NP PV82600SP4PVIC3"180°	8080	2	2452	330	2154	245	209	3" VIC	3" VIC	1,5"TC
NP PV83400SP4PVIC3"180°	80120	3	3470	330	3172	245	209	3" VIC	3" VIC	1,5"TC
NP PV84400SP4PVIC3"180°	80160	4	4499	330	4191	245	209	3" VIC	3" VIC	1,5"TC
NP PV85400SP4PVIC3"180°	80200	5	5508	330	5210	245	209	3" VIC	3" VIC	1,5"TC
NP PV86400SP4PVIC3"180°	80240	6	6524	330	6226	245	209	3" VIC	3" VIC	1,5"TC



Outside Surface finishing: 180 grit  
Inside surface finishing: 2B Ra<0,8  
Inside weld-seam grounded/cold-drawn Ra<1,6

**PURO SRL**

Strada della Chiesa, 6 43029 Bannone di Traversetolo - PR -  
Tel 0521 340813 Fax 0521 340814

TITOLO: NP PV8600SP4PVIC3"180°

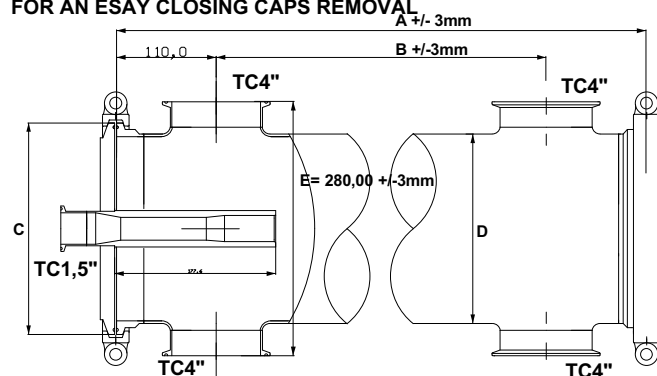
DATA : OCTOBER 2015

FOGLIO 1

SCALA

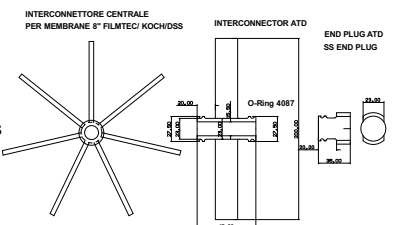
CLIENTE :

**PV8" 250PSI SANITARY DESIGN, ALL CLAMP COUPLINGS,  
FOR AN ESAY CLOSING CAPS REMOVAL**



PURO STAINLESS STEEL PRESSURE VESSELS AISI 316L											
8" 250 PSI ALL SANITARY CONNECTION FOR DAIRY MEMBRANE ELEMENTS WITHOUT PLASTIC ATD											
S.S. TC END PLUG - TC HEAVY CLAMP											
MODEL	N° of EL.	A	E	B	C	D	FEED	CONC.	PERM.	SS ATD KIT	€ PRICES
NP-PV81S250SP4PTC	1	1380	280	1160	233,5	209	4" TC	4" TC	TC1"1/2		
NP-PV82S250SP4PTC	2	2400	280	2180	233,5	209	4" TC	4" TC	TC1"1/2		
NP-PV83S250SP4PTC	3	3415	280	3195	233,5	209	4" TC	4" TC	TC1"1/2		
NP-PV84S250SP4PTC	4	4435	280	4215	233,5	209	4" TC	4" TC	TC1"1/2		
NP-PV85S250SP4PTC	5	5450	280	5230	233,5	209	4" TC	4" TC	TC1"1/2		
NP-PV86S250SP4PTC	6	6465	280	6245	233,5	209	4" TC	4" TC	TC1"1/2		

**SET OF SS INT/ATD + SS BLIND PLUG**



Outside Surface finishing: 180 grit  
Inside surface finishing: 2B Ra<0,8  
Inside weld-seam grounded/cold drawn

**PURO SRL**

Strada della Chiesa, 6 43029 Bannone di Traversetolo - PR -  
Tel 0521 340813 Fax 0521 340814

TITOLO: NP-PV8S250SP4PTC

DISEGNO

DIS.

DATA : OCTOBER 2015

FOGLIO 1

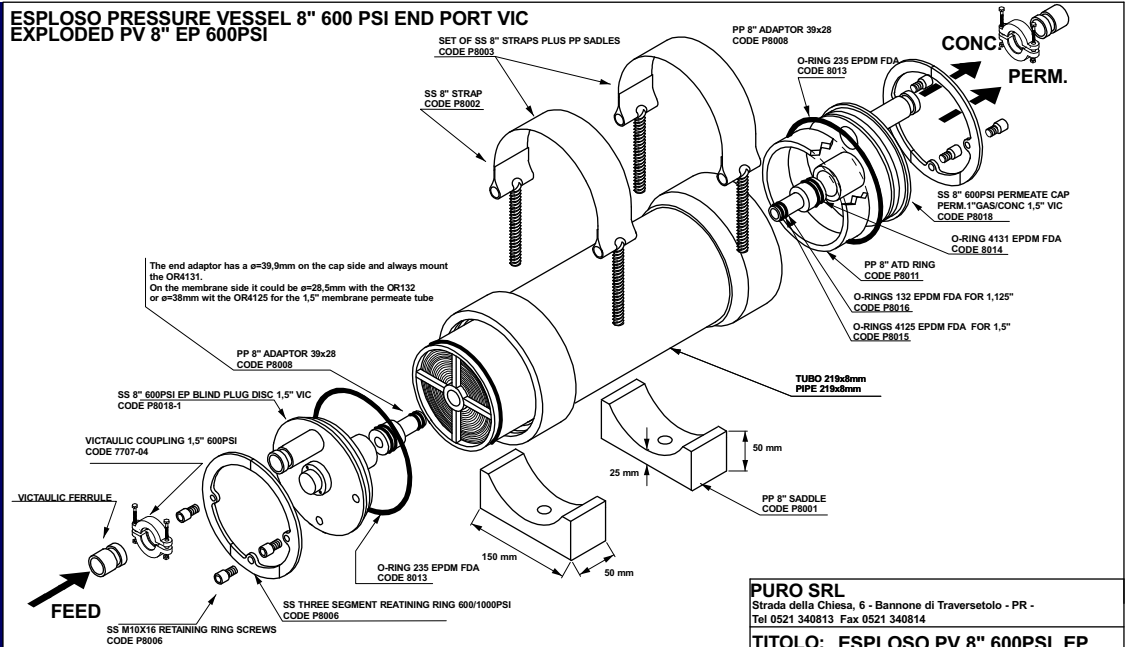
SCALA

CLIENTE :

# Stainless Steel PRESSURE VESSELS

8"

**ESPLOSO PRESSURE VESSEL 8" 600 PSI END PORT VIC  
EXPLODED PV 8" EP 600PSI**



**PURO SRL**  
Strada della Chiesa, 6 - Bannone di Traversetolo - PR -  
Tel 0521 340813 Fax 0521 340814

**TITOLO: ESPLOSO PV 8" 600PSI EP**

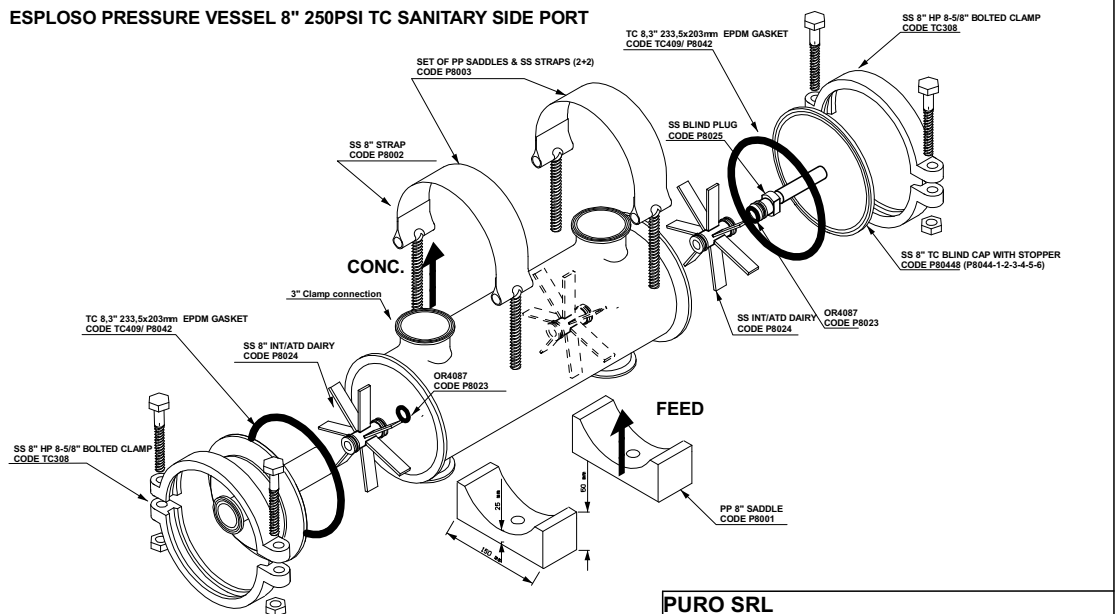
DISEGNO DIS.

DATA : DICEMBRE 2015 FOGLIO 1

SCALA CLIENTE :



**ESPLOSO PRESSURE VESSEL 8" 250PSI TC SANITARY SIDE PORT**



**PURO SRL**  
Strada della Chiesa, 6 - Bannone di Traversetolo - PR -  
Tel 0521 340813 Fax 0521 340814

**TITOLO: PV 8S250SP4PTC4" SANITARY**

DISEGNO DIS.

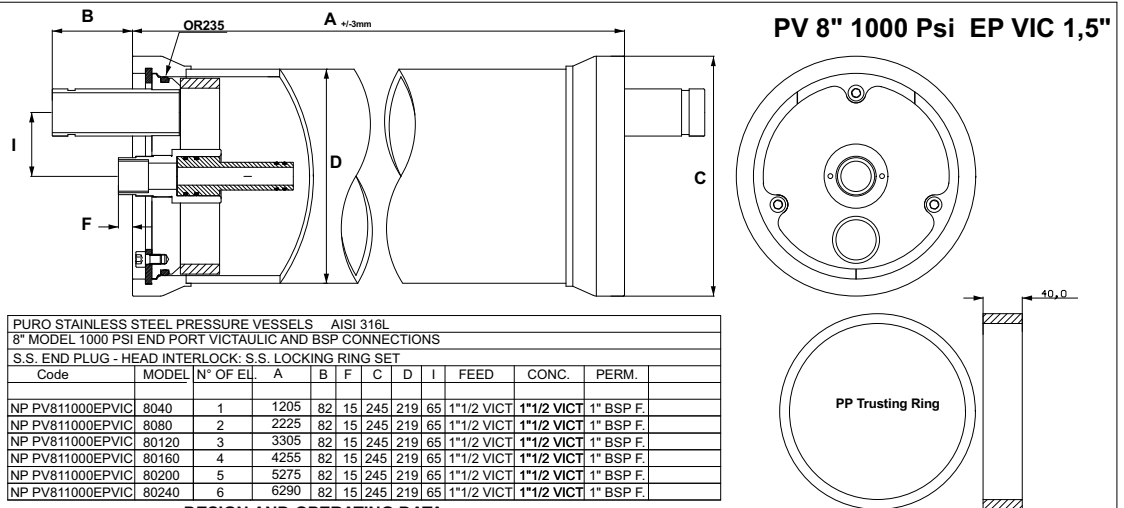
DATA : DICEMBRE 2015 FOGLIO 1

SCALA CLIENTE :



# Stainless Steel PRESSURE VESSELS

8"



**DESIGN AND OPERATING DATA**

- Permissible max operating pressure PS: 69bar
- Test Pressure PT: 105bar
- Permissible min/max operating temperature TS: -10/+80°C
- Fluid Group: 2
- PED: Art 3.3



- Volume: depending on the lenght: from 40lt to 205lt
- Weight: depending on the lenght : from 84kg to 300kg
- Surface finish: internal polished Ra<0,8µ - external satined Grit180

**PURO Srl**

Strada della Chiesa, 6 43029 Bannone di Traversetolo - PR  
Tel 0521 340813 Fax 0521 340814

TITOLO: NP-PV8\_1000EPVIC

DISEGNO

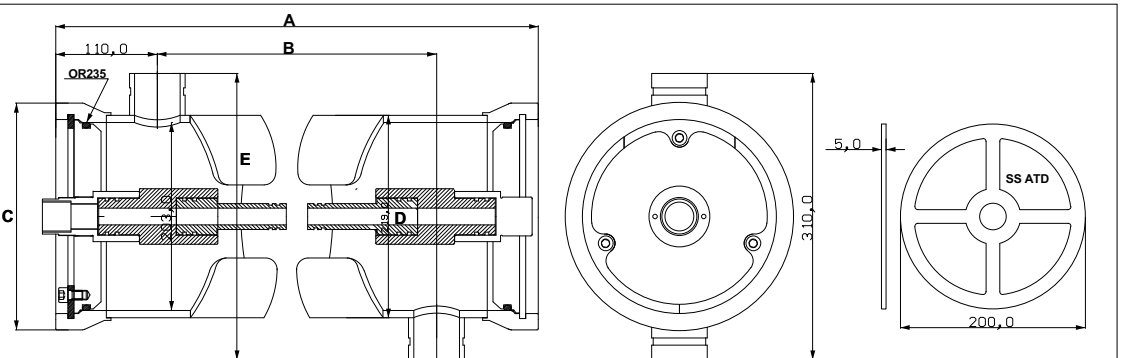
DIS.

DATA : OCTOBER 2015

FOLGIO 1

SCALA

CLIENTE :



**DESIGN AND OPERATING DATA**

- Permissible max operating pressure PS: 69bar
- Test Pressure PT: 105bar
- Permissible min/max operating temperature TS: -10/+80°C
- Fluid Group: 2
- PED: 2014/68/UE Art. 4 Tab. IV



- Volume: depending on the lenght: from 40lt to 205lt
- Weight: depending on the lenght : from 84kg to 300kg
- Surface finish: internal polished Ra<0,8µ - external satined Grit 180

**PURO Srl**

Strada della Chiesa, 6 43029 Bannone di Traversetolo - PR  
Tel 0521 340813 Fax 0521 340814

TITOLO: NP PV8\_1000SPVIC180

P.O.:

DATA : OCTOBER 2015

FOLGIO 1

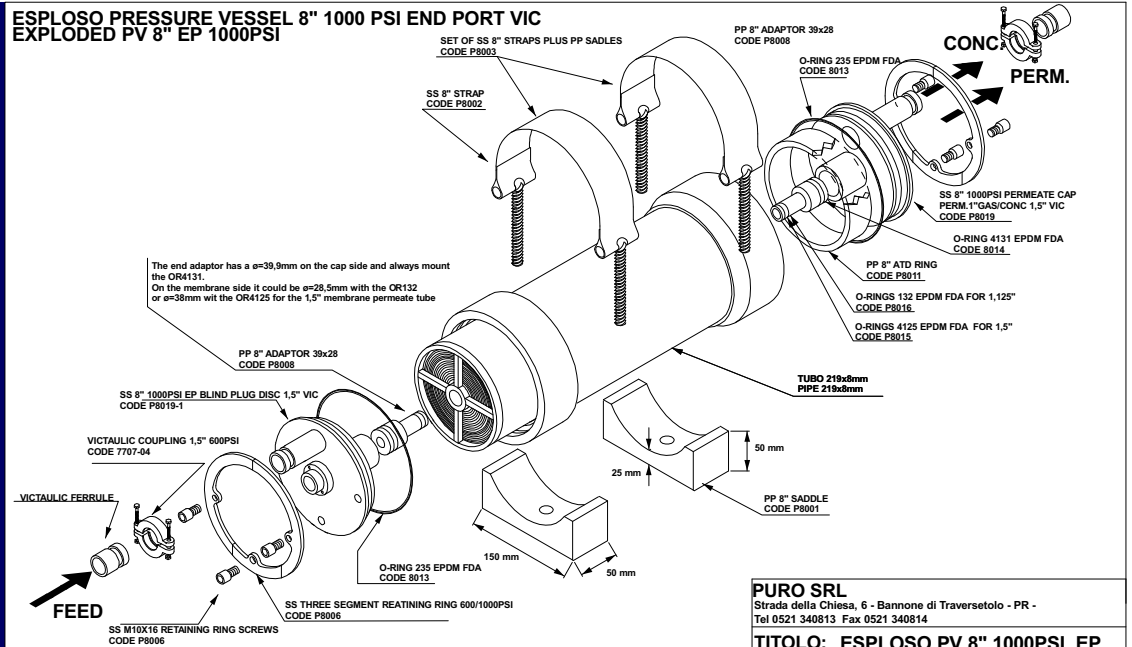
P.O.

CLIENTE :

# Stainless Steel PRESSURE VESSELS

8"

**ESPLOSO PRESSURE VESSEL 8" 1000 PSI END PORT VIC  
EXPLODED PV 8" EP 1000PSI**



**PURO SRL**  
Strada della Chiesa, 6 - Bannone di Traversetolo - PR -  
Tel 0521 340813 Fax 0521 340814

**TITOLO: ESPLOSO PV 8" 1000PSI EP**

DISEGNO	DIS.
DATA : GENNAIO 2008	FOGLIO 1
SCALA	CLIENTE :



# Stainless Steel PRESSURE VESSELS

8"

Testata Pressure vessel per RO, UF con attacchi laterali TC da 1,5" ( max 3" ), Testata TC da 8" e permeato TC da 1,5" per membrane standard o del tipo Full-fit

## PV UF 8" SIDE PORT



Sono disponibili anche set di interconnettori e ATD in acciaio inossidabile per membrane sanitarie e sanitizzabili a caldo

# Stainless Steel PRESSURE VESSELS

Dettaglio del disco di chiusura TC per Pressure vessel da 8" con morsetto TC e interconnettore ATD per membrane sanitarie Full-fit

**8" END CAP**



**ATD INTERCONNECTOR**



**8" CLAMP**







