

# Stainless Steel FILTER-HOUSINGS



PURO's multicartridge filter-housings production represents the additional value to RO units protection. The combination of PURO's SS Filterhousings, PURO's UV Systems and PURO's SS Pressure Vessels, represents an essential safety bundle that extends the life of membrane elements, especially when high quality water production is required continuously.

PURO's stainless steel filter-housings are increasingly appreciated worldwide in the water treatment market, thanks to their quality and reliability. PURO offers a complete line of multicartridge filter-housings from 5 mc/h to 390 mc/h flow rate for single unit.

# Stainless Steel FILTER-HOUSINGS

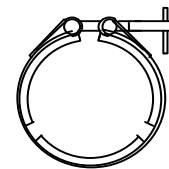
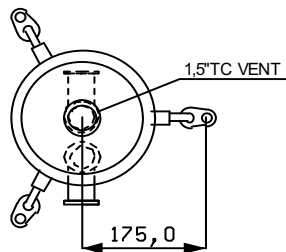
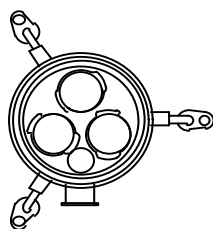
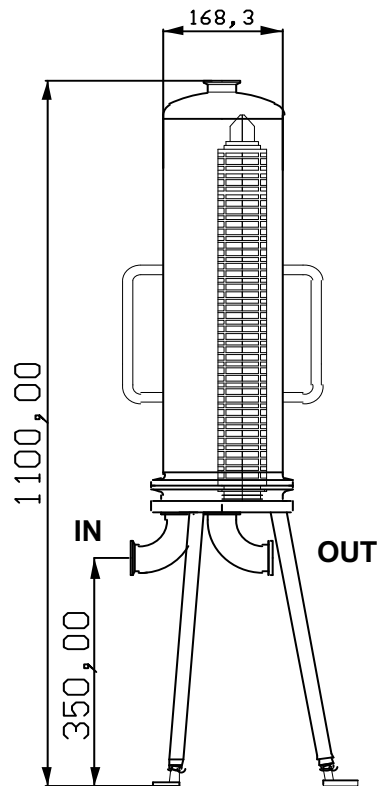
## SANITARY FILTERHOUSINGS



**SURFACE FINISH: INSIDE/OUTSIDE POLISHED**  
**Ra<0,8MICRON**  
**MATERIAL: AISI 316L**

# Stainless Steel FILTER-HOUSINGS

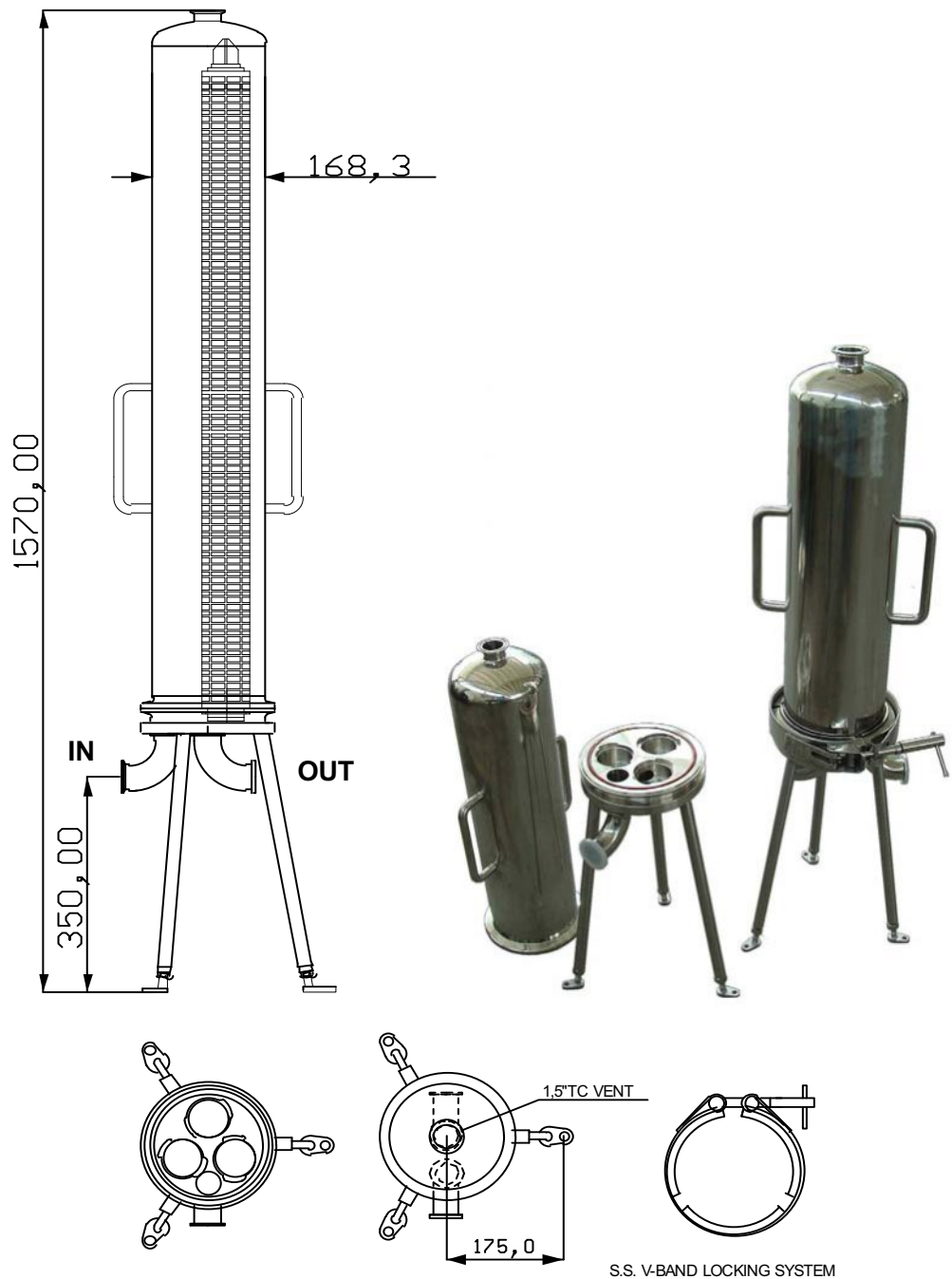
S.S. SANITARY FILTER-HOUSING ( Size: 3 cartridges X 20" code 7 )



S.S. V-BAND LOCKING SYSTEM

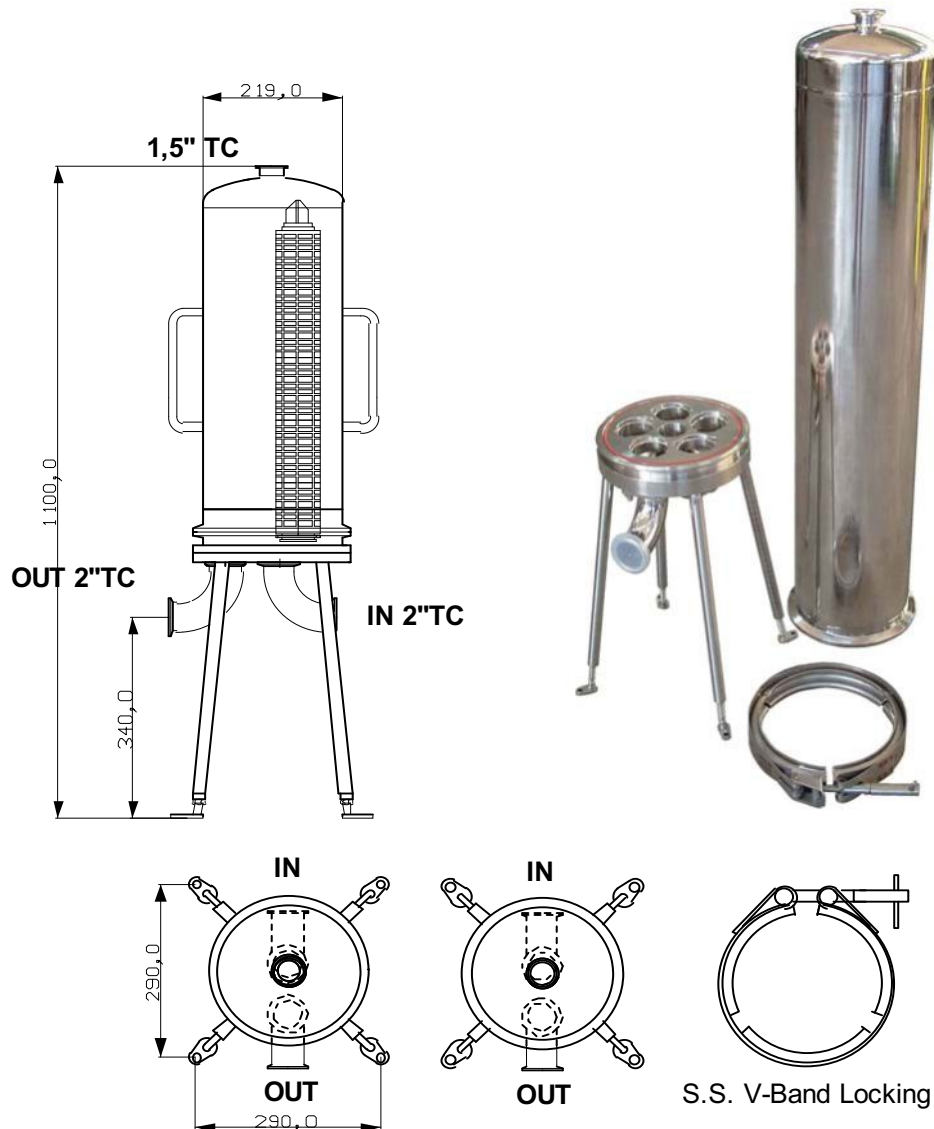
# Stainless Steel FILTER-HOUSINGS

S.S. SANITARY FILTER-HOUSING ( Size: 3 cartridges X 40" code 7 )



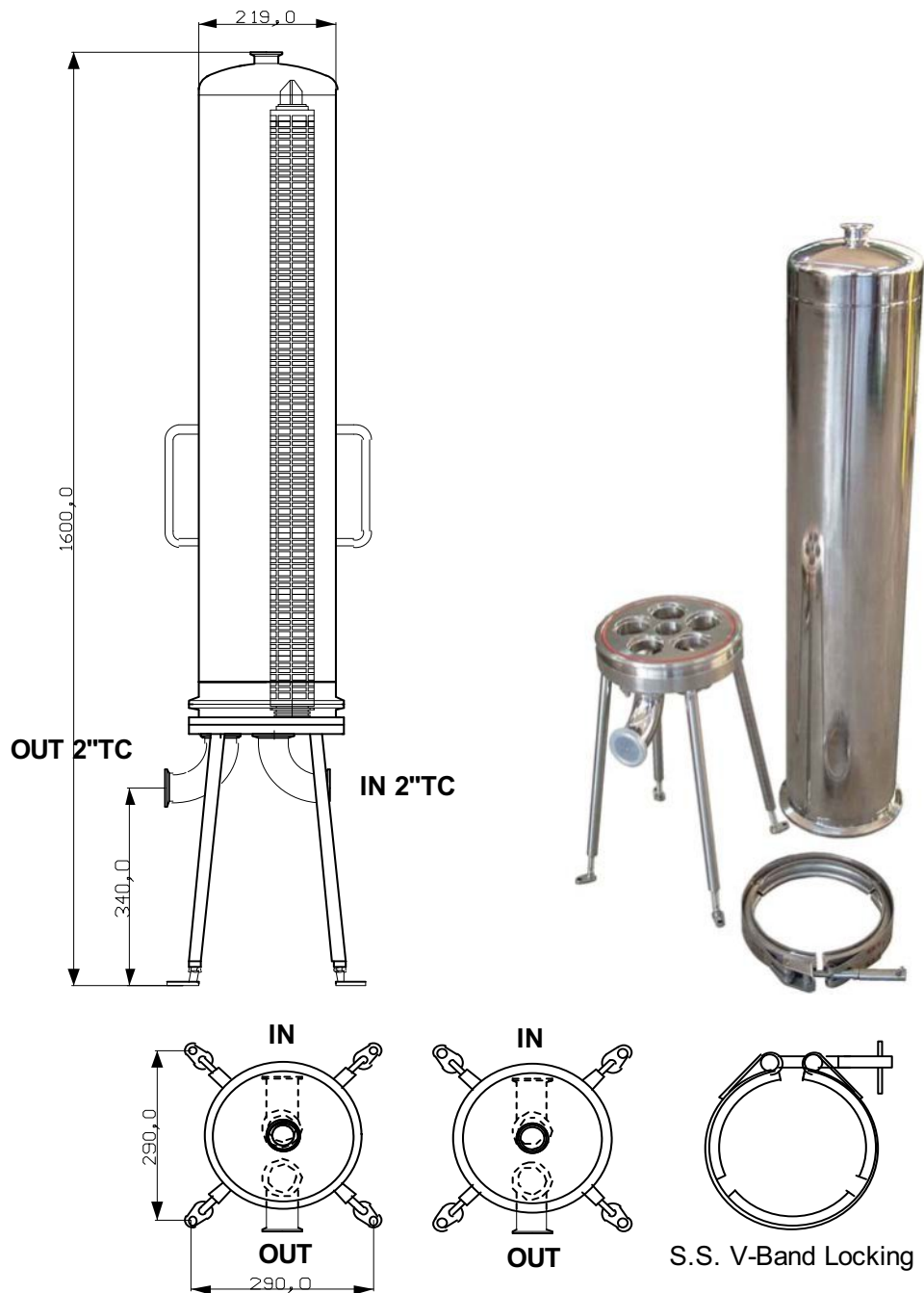
# Stainless Steel FILTER-HOUSINGS

S.S. SANITARY FILTER-HOUSING (Size: 5 cartridges X 20" code 7 )



# Stainless Steel FILTER-HOUSINGS

S.S. SANITARY FILTER-HOUSING (Size: 5 cartridges X 40" code 7 )



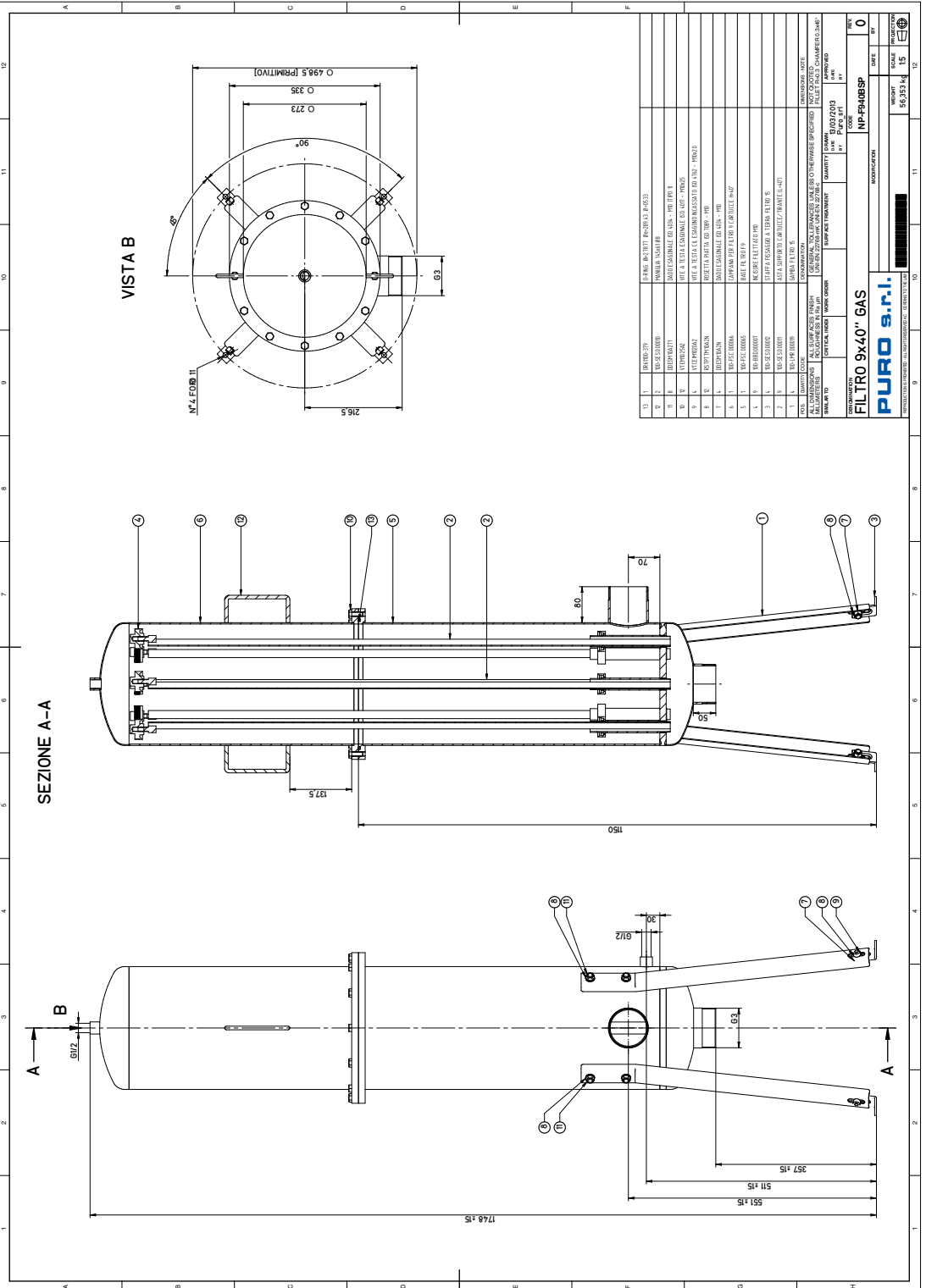
# Stainless Steel FILTER-HOUSINGS

**NP-F940BSP UP TO 40mc/h**



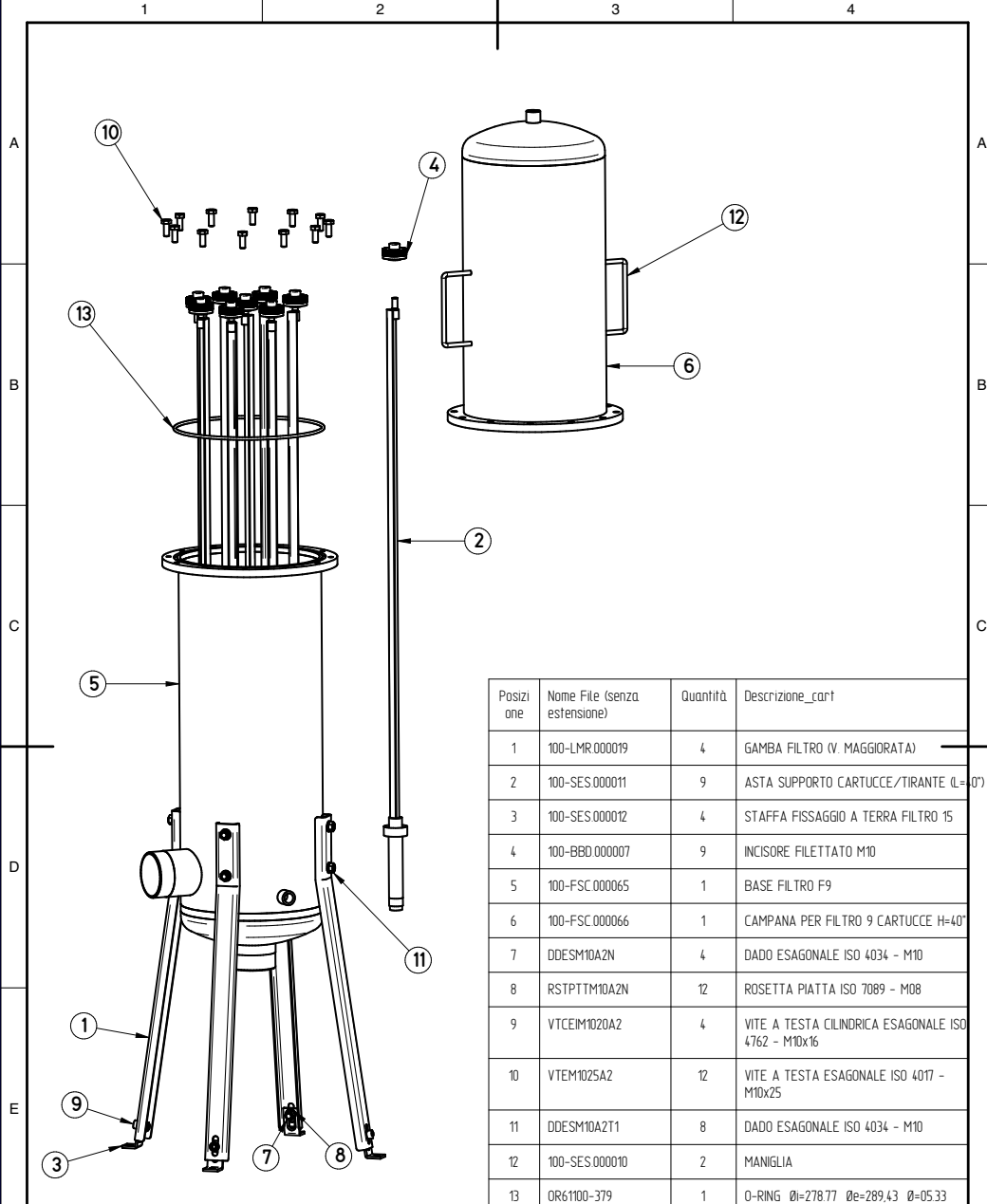
**SURFACE FINISH: OUTSIDE/INSIDE PICKLED & PASSIVATED  
MATERIAL: AISI 316L**

# Stainless Steel FILTER-HOUSINGS





# Stainless Steel FILTER-HOUSINGS



Posizione	Nome File (senza estensione)	Quantità	Descrizione_cart
1	100-LMR.000019	4	GAMBA FILTRO (V. MAGGIORATA)
2	100-SES.000011	9	ASTA SUPPORTO CARTUCCE/TIRANTE (L=107)
3	100-SES.000012	4	STAFFA FISSAGGIO A TERRA FILTRO 15
4	100-BBD.000007	9	INCISORE FILETTATO M10
5	100-FSC.000065	1	BASE FILTRO F9
6	100-FSC.000066	1	CAMPANA PER FILTRO 9 CARTUCCE H=407
7	DDES10A2N	4	DADO ESAGONALE ISO 4034 - M10
8	RSTPT1M10A2N	12	ROSETTA PIATTA ISO 7089 - M08
9	VTCEM1020A2	4	VITE A TESTA CILINDRICA ESAGONALE ISO 4762 - M10x16
10	VTEM1025A2	12	VITE A TESTA ESAGONALE ISO 4017 - M10x25
11	DDES10A2T1	8	DADO ESAGONALE ISO 4034 - M10
12	100-SES.000010	2	MANGLIA
13	OR61100-379	1	O-RING Øi=278.77 Øe=289.43 Ø=05.33

POS.	QUANTITY	CODE	DENOMINATION	DIMENSIONS - NOTE
ALL DIMENSIONS MILLIMETERS	ALL SURFACES FINISH ROUGHNESS IN Ra µm	GENERAL TOLLERANCES UNLESS OTHERWISE SPECIFIED UNI-EN 22768-mK UNI-EN 22768-c	NOT QUOTED FILLET R=0.3 CHAMFER 0.3x45°	
SIMILAR TO	CRITICAL INDEX	WORK ORDER	SURFACE TREATMENT	QUANTITY
DRAWN DATE 13/03/2013		APPROVED DATE		BY Puro srl
DENOMINATION			CODE	REV.
FILTRO 9x40" GAS			NP-F940BSP	0
MODIFICATION		DATE	BY	
PURO s.r.l.		WEIGHT 56,353 kg	SCALE 1:5	PROJECTION
REPRODUCTION IS PROHIBITED - ALL RIGHTS RESERVED ACCORDING TO THE LAW				

# Stainless Steel FILTER-HOUSINGS

**NP-F940DN UP TO 40mc/h**



**S URFACE FINISH: PICKLED & PASSIVATED  
MATERIAL: AISI 316L**



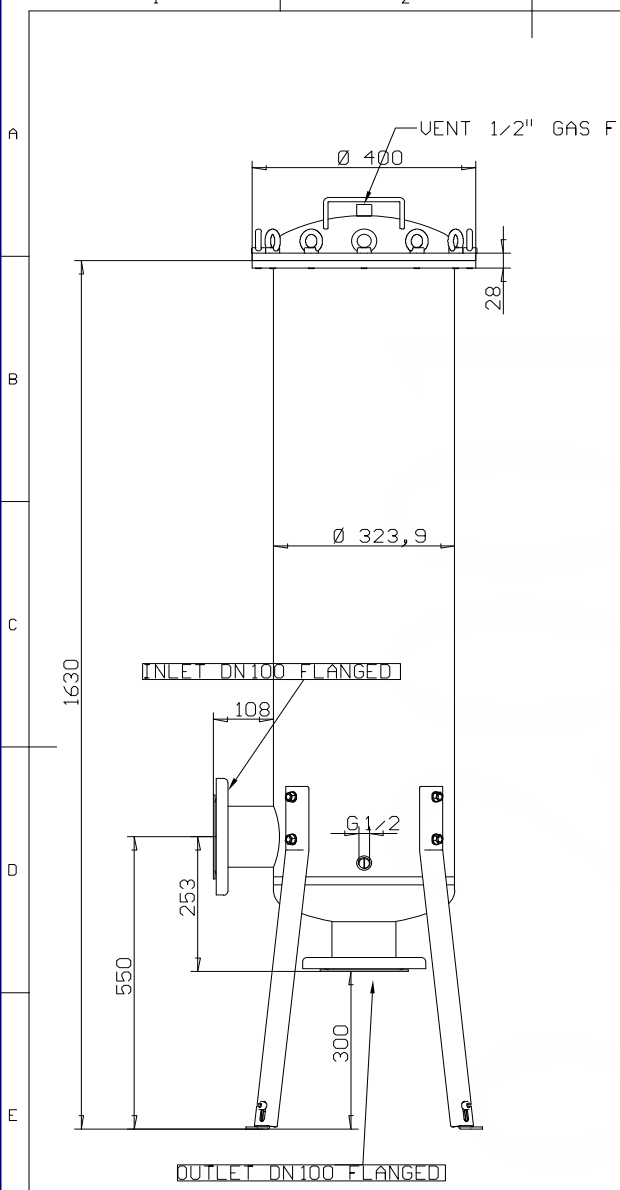
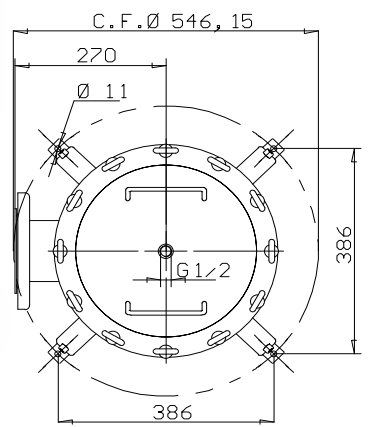
# Stainless Steel FILTER-HOUSINGS

15X40" FILTER-HOUSING UP TO 70mc/h

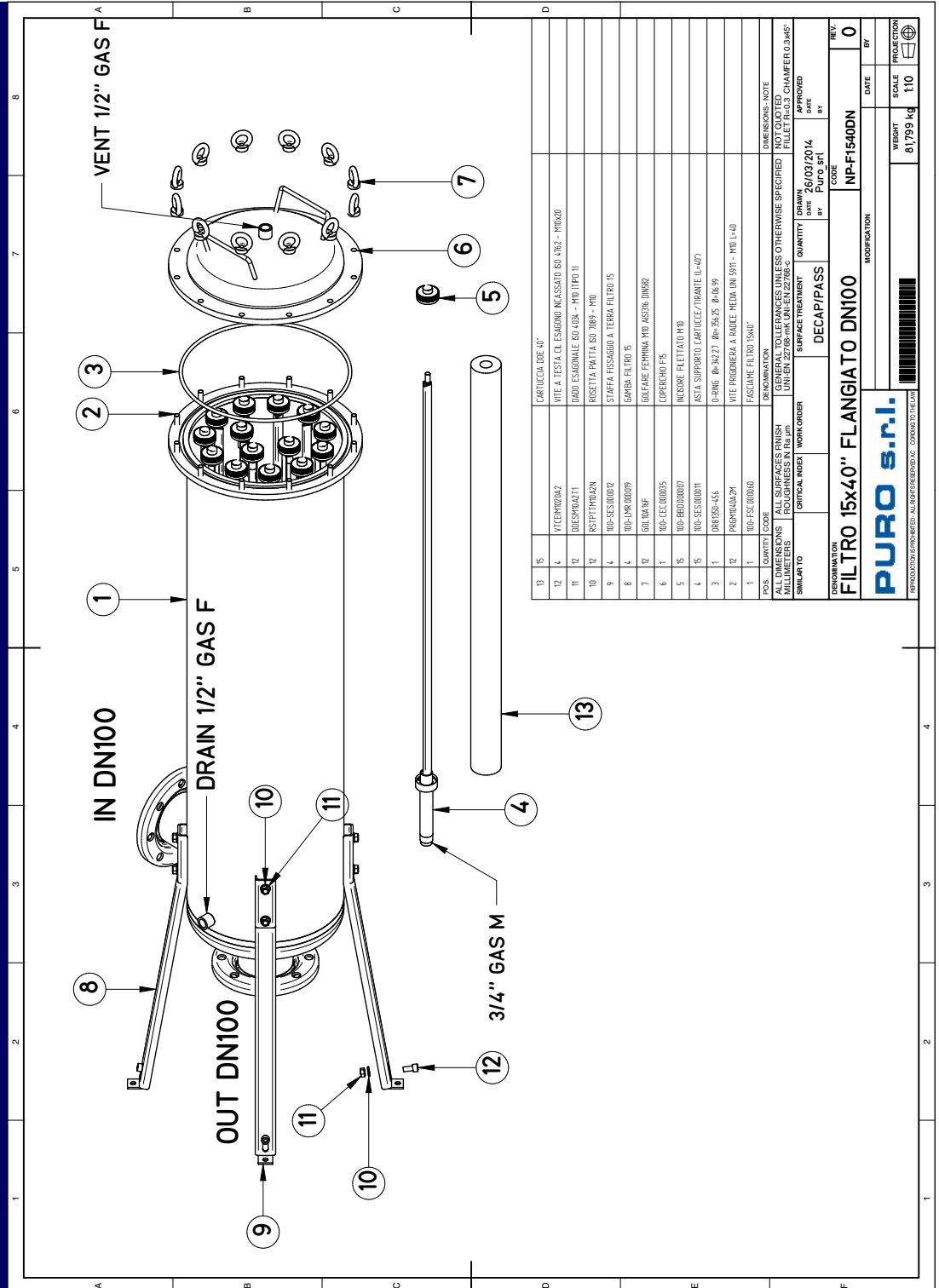


**SURFACE FINISH: PICKLED & PASSIVATED**  
**MATERIAL: AISI 316L**

## Stainless Steel FILTER-HOUSINGS

1	2	3	4																																													
	<table border="1" style="width: 100%; border-collapse: collapse;"> <thead> <tr> <th colspan="2">Lista Materiali</th> </tr> </thead> <tbody> <tr><td>1</td><td>TOP/BOTTOM rounded decinormal 323,9x3 AISI 316L</td></tr> <tr><td>2</td><td>Shell Dia 323,9 x3 AISI 316L</td></tr> <tr><td>3</td><td>Tube sheet AISI 316L Sp=15 mm</td></tr> <tr><td>4</td><td>UPPER CLOSING FLANGES 400x318x15 AISI 316L</td></tr> <tr><td>5</td><td>IN/OUT 114,3x3 AISI 316L</td></tr> <tr><td>6</td><td>PRESSED COLLAR IN/OUT 114,3x3 AISI 316L</td></tr> <tr><td>7</td><td>Loose flange Cold Pressed AISI 304 DN100 PN 10 UNI 6089</td></tr> <tr><td>8</td><td>STUD BOLT M10x40 AISI 304L n° 12 pz</td></tr> <tr><td>9</td><td>EYE NUT FEMALE M10 n° 12 pz</td></tr> <tr><td>10</td><td>O-Ring gasket Type OR 81350</td></tr> <tr><td>11</td><td>DRAIN 1/2" BSP</td></tr> <tr><td>12</td><td>VENT 1/2" BSP</td></tr> <tr><td>13</td><td>CARTRIDGE SUPPORT SINGLE EACH CARTRIDGE ELEMENT</td></tr> <tr><td>14</td><td>Type of cartridges: DOE cartridge elements only</td></tr> <tr><td>15</td><td>NR of Cartridges: 15pcs of DOE cartridges 40" long</td></tr> <tr><td>16</td><td>Max Flow Rate: 60mc/h</td></tr> <tr><td>17</td><td>WEIGHT EMPTY: 80Kg</td></tr> <tr><td>18</td><td>VOLUME: 105Lt</td></tr> <tr><td>19</td><td>MAX working pressure PS: 8 bar</td></tr> <tr><td>20</td><td>MAX working Temperature TS: 80°C at 1bar 50°C at 8bar</td></tr> <tr><td>21</td><td>PED Art 3.3 Fluid Group 2</td></tr> </tbody> </table>		Lista Materiali		1	TOP/BOTTOM rounded decinormal 323,9x3 AISI 316L	2	Shell Dia 323,9 x3 AISI 316L	3	Tube sheet AISI 316L Sp=15 mm	4	UPPER CLOSING FLANGES 400x318x15 AISI 316L	5	IN/OUT 114,3x3 AISI 316L	6	PRESSED COLLAR IN/OUT 114,3x3 AISI 316L	7	Loose flange Cold Pressed AISI 304 DN100 PN 10 UNI 6089	8	STUD BOLT M10x40 AISI 304L n° 12 pz	9	EYE NUT FEMALE M10 n° 12 pz	10	O-Ring gasket Type OR 81350	11	DRAIN 1/2" BSP	12	VENT 1/2" BSP	13	CARTRIDGE SUPPORT SINGLE EACH CARTRIDGE ELEMENT	14	Type of cartridges: DOE cartridge elements only	15	NR of Cartridges: 15pcs of DOE cartridges 40" long	16	Max Flow Rate: 60mc/h	17	WEIGHT EMPTY: 80Kg	18	VOLUME: 105Lt	19	MAX working pressure PS: 8 bar	20	MAX working Temperature TS: 80°C at 1bar 50°C at 8bar	21	PED Art 3.3 Fluid Group 2		
Lista Materiali																																																
1	TOP/BOTTOM rounded decinormal 323,9x3 AISI 316L																																															
2	Shell Dia 323,9 x3 AISI 316L																																															
3	Tube sheet AISI 316L Sp=15 mm																																															
4	UPPER CLOSING FLANGES 400x318x15 AISI 316L																																															
5	IN/OUT 114,3x3 AISI 316L																																															
6	PRESSED COLLAR IN/OUT 114,3x3 AISI 316L																																															
7	Loose flange Cold Pressed AISI 304 DN100 PN 10 UNI 6089																																															
8	STUD BOLT M10x40 AISI 304L n° 12 pz																																															
9	EYE NUT FEMALE M10 n° 12 pz																																															
10	O-Ring gasket Type OR 81350																																															
11	DRAIN 1/2" BSP																																															
12	VENT 1/2" BSP																																															
13	CARTRIDGE SUPPORT SINGLE EACH CARTRIDGE ELEMENT																																															
14	Type of cartridges: DOE cartridge elements only																																															
15	NR of Cartridges: 15pcs of DOE cartridges 40" long																																															
16	Max Flow Rate: 60mc/h																																															
17	WEIGHT EMPTY: 80Kg																																															
18	VOLUME: 105Lt																																															
19	MAX working pressure PS: 8 bar																																															
20	MAX working Temperature TS: 80°C at 1bar 50°C at 8bar																																															
21	PED Art 3.3 Fluid Group 2																																															
<table border="1" style="width: 100%; border-collapse: collapse;"> <thead> <tr> <th>POS.</th> <th>QUANTITY</th> <th>CODE</th> <th>DENOMINATION</th> <th>DIMENSIONS - NOTE</th> </tr> </thead> <tbody> <tr> <td>ALL DIMENSIONS MILLIMETERS</td> <td>ALL SURFACES FINISH ROUGHNESS IN Ra µm</td> <td>GENERAL TOLLERANCES UNLESS OTHERWISE SPECIFIED</td> <td>UNI-EN 22768-mK UNI-EN 22768-c</td> <td>NOT QUOTED FILLET R=0.3 CHAMFER 0.3x45°</td> </tr> <tr> <td>SIMILAR TO</td> <td>CRITICAL INDEX</td> <td>WORK ORDER</td> <td>SURFACE TREATMENT</td> <td>QUANTITY</td> </tr> <tr> <td></td> <td></td> <td></td> <td></td> <td>DRAWN DATE BY</td> </tr> <tr> <td></td> <td></td> <td></td> <td></td> <td>APPROVED DATE BY</td> </tr> </tbody> </table>		POS.	QUANTITY	CODE	DENOMINATION	DIMENSIONS - NOTE	ALL DIMENSIONS MILLIMETERS	ALL SURFACES FINISH ROUGHNESS IN Ra µm	GENERAL TOLLERANCES UNLESS OTHERWISE SPECIFIED	UNI-EN 22768-mK UNI-EN 22768-c	NOT QUOTED FILLET R=0.3 CHAMFER 0.3x45°	SIMILAR TO	CRITICAL INDEX	WORK ORDER	SURFACE TREATMENT	QUANTITY					DRAWN DATE BY					APPROVED DATE BY	<table border="1" style="width: 100%; border-collapse: collapse;"> <thead> <tr> <th>DENOMINATION</th> <th>CODE</th> <th>REV.</th> </tr> </thead> <tbody> <tr> <td><b>FILTRO 15x40" FLANGIATO DN100</b></td> <td><b>NP-F1540DN</b></td> <td></td> </tr> <tr> <td colspan="2" style="text-align: center;">MODIFICATION</td> <td>DATE BY</td> </tr> <tr> <td colspan="2" style="text-align: center;"><b>*NP-F1540DN*</b></td> <td>WEIGHT SCALE PROJECTION</td> </tr> <tr> <td colspan="2" style="text-align: center;">REPRODUCTION IS PROHIBITED - ALL RIGHTS RESERVED ACCORDING TO THE LAW</td> <td style="text-align: center;">81,812 kg</td> </tr> </tbody> </table>		DENOMINATION	CODE	REV.	<b>FILTRO 15x40" FLANGIATO DN100</b>	<b>NP-F1540DN</b>		MODIFICATION		DATE BY	<b>*NP-F1540DN*</b>		WEIGHT SCALE PROJECTION	REPRODUCTION IS PROHIBITED - ALL RIGHTS RESERVED ACCORDING TO THE LAW		81,812 kg					
POS.	QUANTITY	CODE	DENOMINATION	DIMENSIONS - NOTE																																												
ALL DIMENSIONS MILLIMETERS	ALL SURFACES FINISH ROUGHNESS IN Ra µm	GENERAL TOLLERANCES UNLESS OTHERWISE SPECIFIED	UNI-EN 22768-mK UNI-EN 22768-c	NOT QUOTED FILLET R=0.3 CHAMFER 0.3x45°																																												
SIMILAR TO	CRITICAL INDEX	WORK ORDER	SURFACE TREATMENT	QUANTITY																																												
				DRAWN DATE BY																																												
				APPROVED DATE BY																																												
DENOMINATION	CODE	REV.																																														
<b>FILTRO 15x40" FLANGIATO DN100</b>	<b>NP-F1540DN</b>																																															
MODIFICATION		DATE BY																																														
<b>*NP-F1540DN*</b>		WEIGHT SCALE PROJECTION																																														
REPRODUCTION IS PROHIBITED - ALL RIGHTS RESERVED ACCORDING TO THE LAW		81,812 kg																																														
1	2	3	4																																													

## Stainless Steel FILTER-HOUSINGS



13	15	CARTICCIA OIE 40"	
12	4	VITE A TESTA CL. ESAGONO INCASSATO 60 4/32 - M10x20	
11	12	DIADO ESAGONALE 60 4/32 - M10 TPFI 11	
10	12	ROSETTA PIASTA 60 7/89 - M10	
9	4	STAFFA FISSAGGIO A TERRA FILTRO 15	
8	4	GAMBA FILTRO 15	
7	12	GOFFARE FEMMINA M10 JINSTR. DINGRE	
6	1	COPRICHIO P15	
5	15	INGOBBE FLETTATO M10	
4	15	ASTA SORPORTO CARICCE/STRANTE (L40)	
3	12	VITE PREGINEGGERA A RADICE MEDIA UNI 5911- M10 L-40	
2	12	PRORINGM10M	
1	1	FASCIA FILTRO 1540"	

DESIGNATION	QUANTITY	WORK ORDER	DATE	BY
FILTRO 15x40" FLANGIATO DN100	DECAP/PASS	26/03/2014	Puro srl	0

PRODUCTION	WEIGHT	SCALE	PROJECTION
NP-F1540DN	8,1799 kg	1:10	

**PURO s.r.l.**  
 VIA ... ...  
 ... ...  
 ... ..

# Stainless Steel FILTER-HOUSINGS

**22X40" FILTER-HOUSING UP TO 100mc/h**

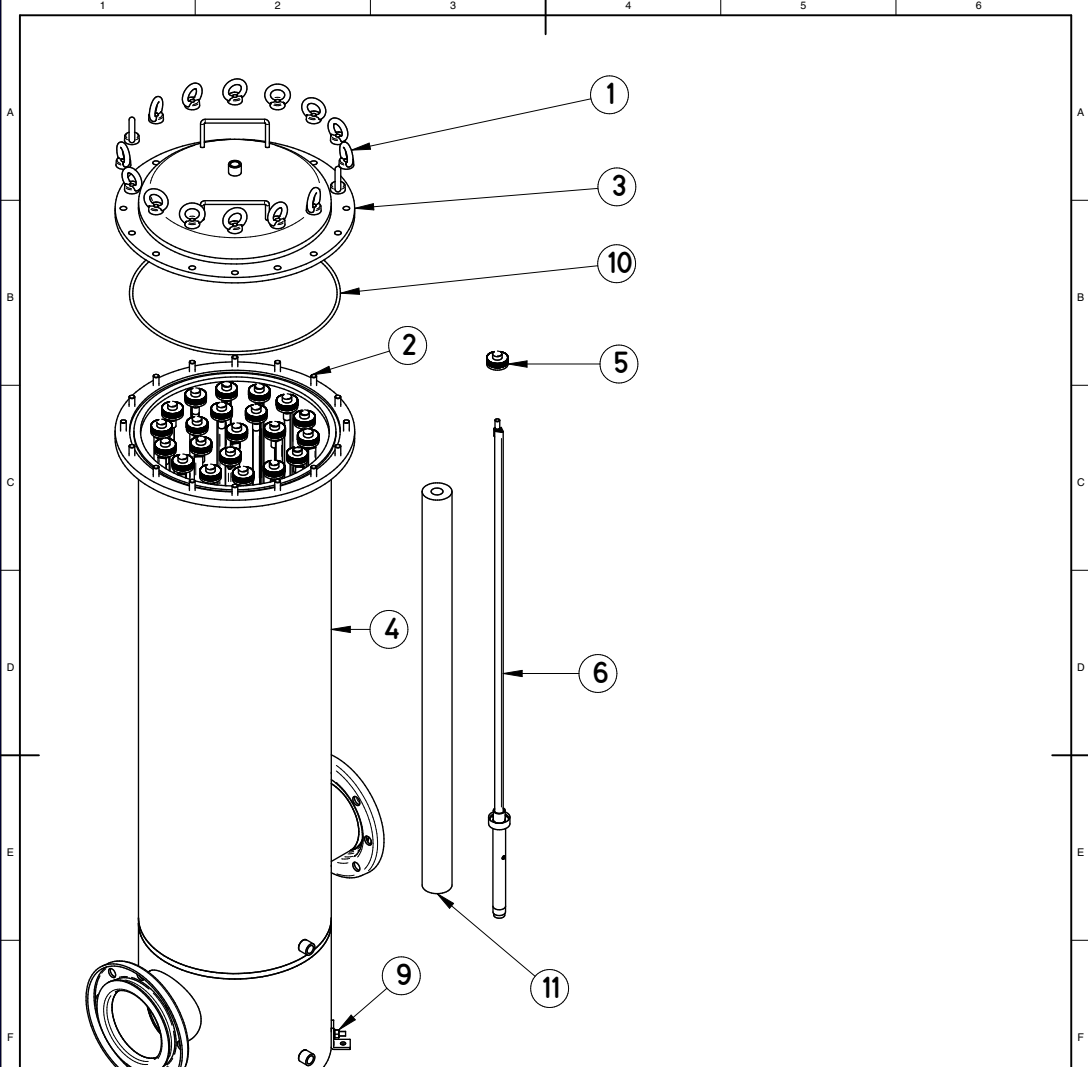


**SURFACE FINISH: PICKLED & PASSIVATED**  
**MATERIAL: AISI 316L**





# Stainless Steel FILTER-HOUSINGS



11	1		CARTUCCIA DOE 40"	
10	1	OR8700-463	O-RING Ø=430.66 Øe=444.64 Ø=06.99	
9	4	DDESM10A2N	DADO ESAGONALE ISO 4034 - M10	
8	4	RSTPT11M10A2N	ROSETTA PIATTA ISO 7089 - M10	
7	4	100-SES.000005	STAFFA FISSAGGIO A TERRA FILTRO F15 IN-LINE	
6	22	100-SES.000027	ASTA SUPPORTO CARTUCCIE/TIRANTE ØL=40" - V3)	
5	22	100-BBD.000007	INCISORE FILETTATO M10	
4	1	100-FSC.000067	FASCIAME FILTRO F22	
3	1	100-CEC.000048	COPERCHIO FILTRO F22	
2	16	PRGM12A3A2M	VITE PRIGIONERA A RADICE MEDIA UNI 5911 - M12 L=43	
1	16	GOL12A16F	GOLFARE FEMMINA M12 AISI316 DIN582	
POS.	QUANTITY	CODE	DENOMINATION	DIMENSIONS - NOTE
ALL DIMENSIONS MILLIMETERS			ALL SURFACES FINISH ROUGHNESS IN Ra µm	GENERAL TOLLERANCES UNLESS OTHERWISE SPECIFIED UNI-EN 22768-nmk UNI-EN 22768-c
				NOT QUOTED FILLET R=0.5 CHAMFER 0.3x45°
SIMILAR TO	CRITICAL INDEX	WORK ORDER	SURFACE TREATMENT	QUANTITY
				DRAWN DATE BY 14/03/2013 Puro_sr1
DENOMINATION			CODE	REV.
FILTRO 22x40" FLANGIATO DN150 IN-LINE			NP-F2240DNIL	0
PURO s.r.l.			MODIFICATION	DATE BY
REPRODUCTION IS PROHIBITED - ALL RIGHTS RESERVED - ACCORDING TO THE LAW			*NP-F2240DNIL*	WEIGHT 140,980 kg1.5 SCALE PROJECTION