



ETATRON

Manual and Automatic Chemical Control



Contents



About Etatron	2
Manual Chemical and Essence Dosing	4 - 7
B-V Peristaltic Pumps	5
B-V Peristaltic Pump Dimensions	5
PKX MA/AL Solenoid Pump	6
PKX Dimensions (wall mounted)	7
PKX Dimensions (foot mounted)	7
Manual Chemical Dosing	8 - 10
DLX MA/AD Solenoid Pump	9
DLX Dimensions (wall mounted)	10
DLX Dimensions (foot mounted)	10
Automatic Microprocessor Chemical Dosing	11 - 19
DLX pH – Redox/Chlorine Solenoid Pump	12
DLX Dimensions (wall mounted)	13
DLX Dimensions (foot mounted)	13
Features	14
BT MA/M Solenoid Pump	14
BT MA/M Dimensions (wall mounted)	15
BT MA/M Dimensions (foot mounted)	15
AG-Select Panel Controllers	17
AG-Select B1 Controller Measurements	18
AG-Select B2 Controller Measurements	18
AG-Select B3 Controller Measurements	18
E.Co Panel Controllers	19
E.Co Controller Measurements	19
Domestic Proportional Pump Dosing Kits	20 - 24
MyPool B Pump Dosing Kit	21
MyPool B Measurements	22
DLX Pump Dosing Kit	23
DLX Dimensions (wall mounted)	24
DLX Dimensions (foot mounted)	24
Automatic Chemical Control Systems	25 - 28
Hydrogen Peroxide Dosing System	26
AG-Select Controller Based Dosing Systems	27
AG-Select Redox/pH System	27
AG-Select Free Chlorine (open cell)/pH System	27
AG-Select Free Chlorine (closed cell)/pH System	27
DLX Controller/Pump Dosing Systems	28
DLX Redox/pH Pump System	28
DLX Free Chlorine (open cell)/pH System	28
DLX Free Chlorine (closed cell)/pH System	28
Accessories	29 - 31
Etatron Accessories	30
Safety Equipment and Clothing	31



About Etatron

Etatron D.S. is a manufacturer of high quality solenoid metering pumps, controllers and associated equipment.

Since it commenced trading in 1979, decades of steady growth and innovative product development have resulted in Etatron establishing its position as a worldwide player, supplying over 75 different countries and having offices located in Canada, the United Kingdom, Ireland, Russia and Singapore.

Etatron chemical dosing pumps and controllers are suitable for a range of dosing packages including the following:

- pH correction systems
- Chlorination dosing systems
- Redox (ORP) based systems
- Fragrance dosing systems

We are also able to supply a range of chemical holding tanks, agitators, mixers and accessories.

If you are looking for solutions in the Wet Leisure Industry for automated chemical dosing, chemical dispensing diaphragms and peristaltic pumps, then we are confident that Etatron will have the answer.

To find out more, please contact us on 01271 378100 or email swimmer@goldenc.com

Etatron products are CE approved and the company is ISO 9001 certified. Etatron maintains quality and management systems in accordance with the requirements of CE Approval and Marking, ISO 9001:2008 and CSA Standards.



Manual Chemical and Essence Dosing

The peristaltic pump operates on the suction-compression created by rotors on a Santoprene® tube, and is ideally suited to dosing essences.

This range includes a fixed constant or variable flow (0 to 100%), with an On/Off power switch and a green LED indicating the pump is on and operating. Versions are available with level control, indicating with the same LED turning yellow when the chemical product tank is at minimum level. Constructed in Polypropylene and supplied with the necessary pipework and fittings.

A wide range of peristaltic pumps are available for any kind of application, featuring fixed and variable flow rate, built-in instruments, and single and multi washing-machine lines systems.

Flow rate ranges from 1 L/h up to 10 L/h, power supply from 12 V up to 240 V DC/AC. Settings suitable for the dosing of any kind of chemicals are provided.

Advanced design of technical details such as 4 rolls, shaft support and stainless steel clips, differentiate Etatron pumps from the bunch of similar products in the market.

The range also includes real compact solenoid dosing pumps which are suitable for a wide range of washware applications, in terms of performance and housing materials. Manual setting from 10% up to 100% of maximum flow rate. Removable setting knob, to prevent flow rate from undesired tampering. Versatile arrangement: wall and foot mounting holders provided.

B-V Peristaltic Pumps

The B-V series is a range of peristaltic pumps with adjustable flow rates.

Suitable for use with chemicals and essence dosing systems.



Features

- Output pressures of up to 3 bar.
- Plastic enclosures for wall mounting, with clear polycarbonate pump head cover.
- Pump head axle is supported at both ends, giving higher resistance to normal peristaltic pump wear and tear.
- Pump head tubings available in Santoprene®.
- A mounting piece supplied with each pump allows for quick installation and removal of the pump.
- Standard operating voltage: 240V AC, 50Hz/60Hz, 1 phase.
- Other ratings (V AC and V DC) are available as options.

Stock Code

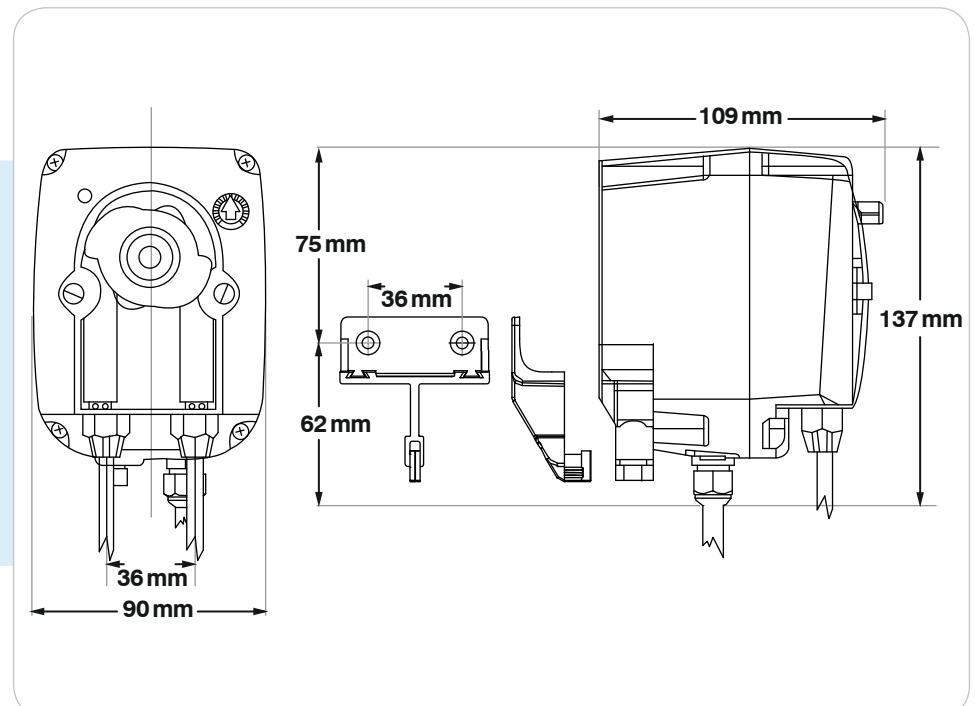
21 06 678 733

Supplied with

- Foot valve
- Injector
- 2 metre suction and delivery pipe

Flow	Pressure
3L/hr	3 Bar

B-V Peristaltic Pump Dimensions



PKX MA/AL Solenoid Pump

The PKX is our most economical and compact range of electronic pumps, suitable for use with chemical dosing or essence dosing.



Features

- Manual air bleed head.
- Manual adjustment of flow: 0 – 100%.
- Level control.
- Manual setting from 10% up to 100% of maximum flow rate.
- Removable setting knob, to prevent flow rate from undesired tampering.
- Versatile arrangement: an adaptor is supplied with each unit allowing for both foot and wall mounting.
- Pump head and control panel are on the same side, providing convenience.
- Slow maximum stroke rate of 120 strokes/minute ensures check valve stability and prevents overheating.
- IP65 rated pump housing is constructed of mica-filled Polypropylene.
- Standard operating voltage: 230 V/240 V AC, 50 Hz/60 Hz, 1 phase.
- It is possible to supply pumps that are quieter, this is useful where being used for essence dosing and the solenoid 'thump' sound needs reducing.

Stock Code

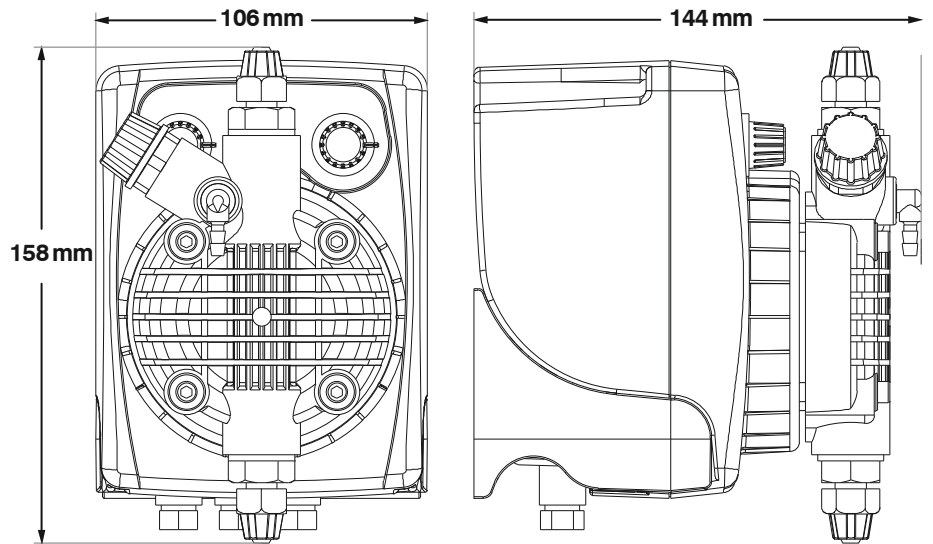
21 06 678 151

Supplied with

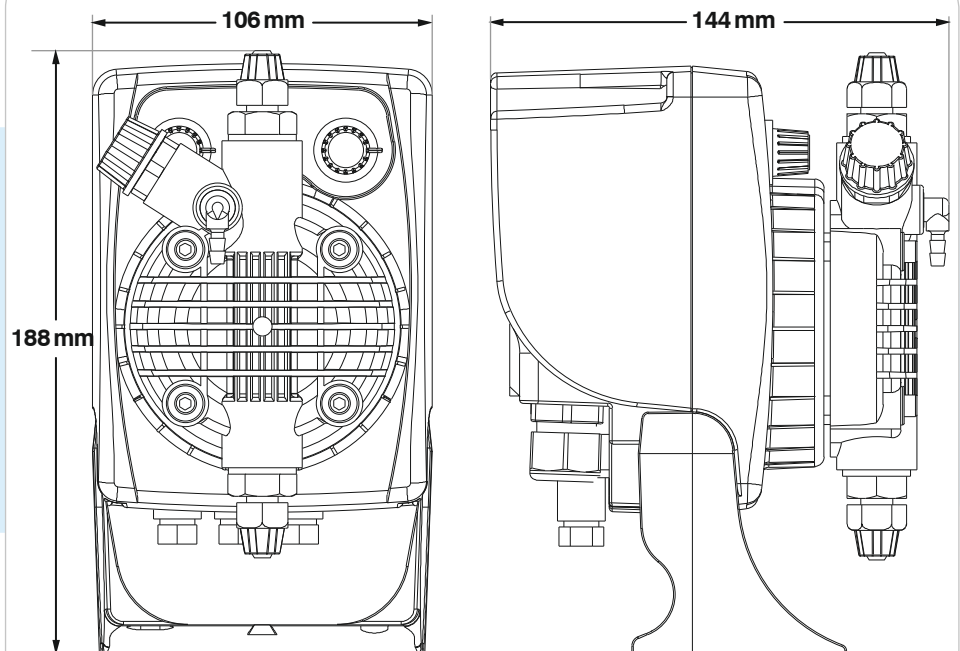
- Foot valve
- Injector
- 2 metre suction and delivery pipe

Flow	Pressure
1 L/Hr	5 Bar
2 L/Hr	6 Bar
5 L/Hr	5 Bar

**PKX
Dimensions
(wall mounted)**



**PKX
Dimensions
(foot mounted)**





Manual Chemical Dosing

The innovative and extensive Etatron DLX solenoid metering chemical dosing pump.

With a variety of liquid ends, capacity setting and control options, the DLX pump provides the optimal choice for chemical dosing applications. The strong and compact construction, and simple and easy installation makes the DLX solenoid metering pumps cost effective for a wide variety of chemical dosing needs.

The durable operation characterises this range of products, with the pump head and control panel on the same side, providing easy setting and operation. The DLX and DLXB pump range can be either wall mounted or foot mounted. The DLXB can be supplied with stroke length adjustment system upon request.

All pumps are manufactured under a quality control programme from design to production.

DLX MA/AD Solenoid Pump

The DLX is our most developed range of electronic pumps. It is ideally suited to the rigours and requirements of demanding commercial pool and spa applications.



Features

- Manual air bleed head.
- Manual adjustment of flow using two scales: 0 - 20% or 0 - 100%.
- Allows finer control of dosing rates and therefore better water balance and sanitisation.
- Analogue dosing pump.
- Available with level control - MA/AD+LIV (supplied without probe).
- Choose between foot mounted or wall mounted versions.
- Pump head and control panel are on the same side, providing convenience.
- Slow maximum strokes rate of 120 strokes/minute ensures check valve stability and prevents overheating.
- IP65 rated pump housing is constructed of mica-filled Polypropylene.
- Standard operating voltage: 240 V AC, 50 Hz/60 Hz, 1 phase.
- Other models up to 20L/Hr available on request.
- Digital display option available on request.
- As standard the head is suitable for use with 4 mm/6 mm pipe.
- A head suitable for use with Calcium Hypochlorite is available; please specify at time of ordering.
- It is possible to supply pumps that are quieter, this is useful where being used for essence dosing and the solenoid 'thump' sound needs reducing.

Stock Code

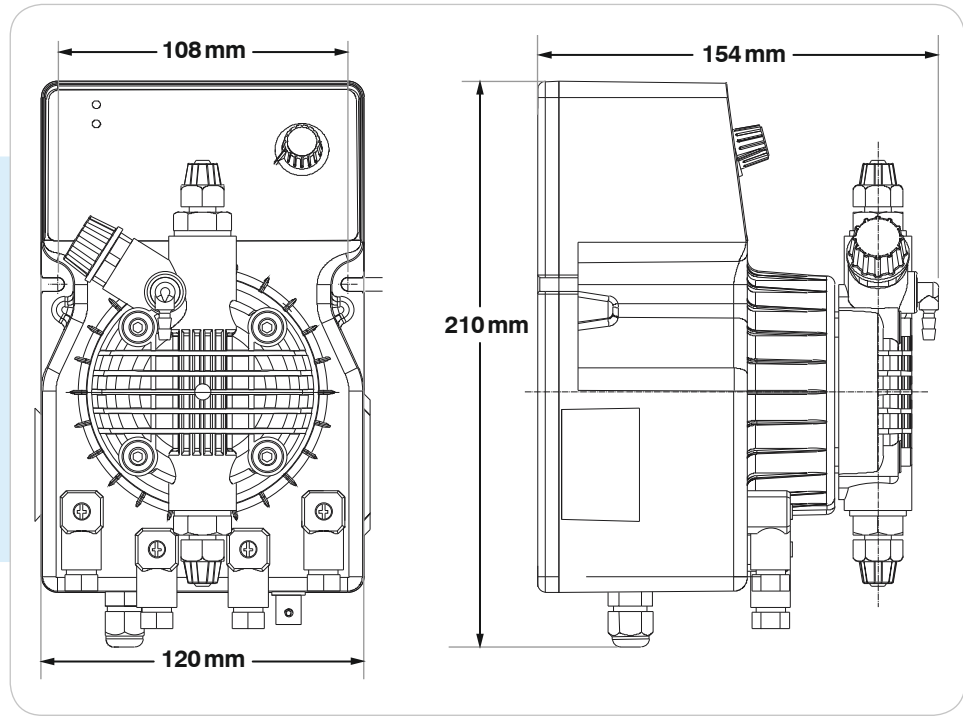
21 06 678 051

Supplied with

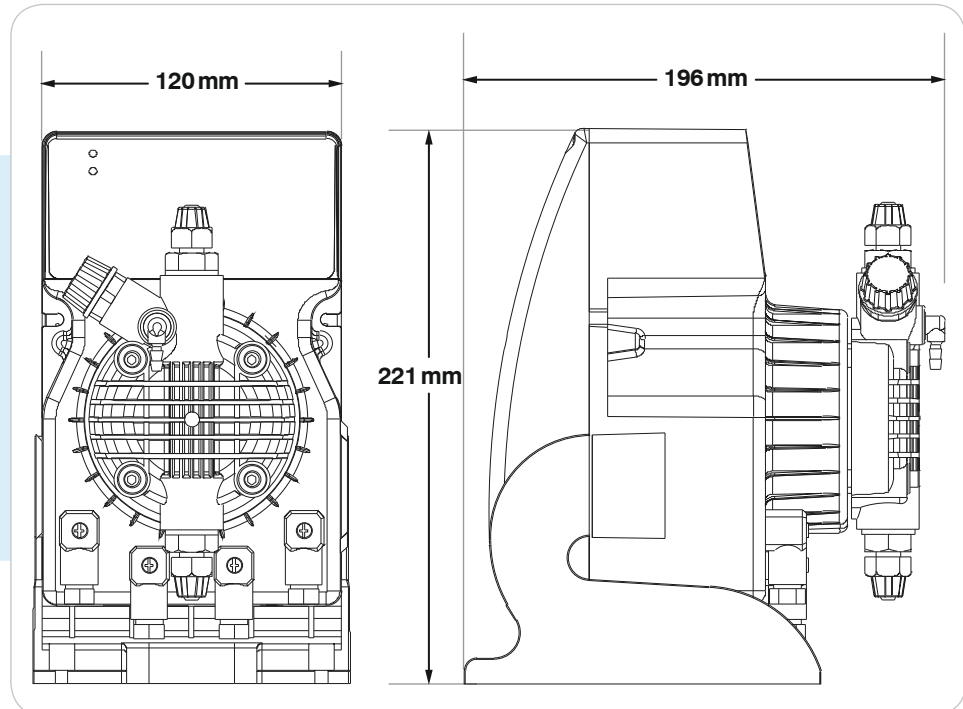
- Foot valve
- Injector
- 2 metre suction and delivery pipe

Flow	Pressure
5 L/Hr	7 Bar
1 L/Hr	15 Bar
15 L/Hr	4 Bar

**DLX
Dimensions
(wall mounted)**



**DLX
Dimensions
(foot mounted)**





Automatic Microprocessor Chemical Dosing

The innovative and extensive Etatron DLX and BT solenoid metering chemical dosing pump range.

With a variety of liquid ends, capacity setting and control options, the range of DLX and BT pumps provide the optimal choice for chemical dosing applications. The strong and compact construction and simple and easy installation makes the DLX and BT range of solenoid metering pumps cost effective for a wide variety of chemical dosing needs.

The durable operation characterises this range of products with the pump head and control panel on the same side, providing easy setting and operation. The DLX and DLXB pump range can be either wall mounted or foot mounted. The DLXB can be supplied with stroke length adjustment system upon request.

The BT range picks up where the DLX range finishes and is suitable where large flows are required for larger pools, and water features may also be included. The BT pump range can be either wall mounted or foot mounted.

DLX pH – Redox/ Chlorine Solenoid Pump

Highly sophisticated but simple to operate pump, controlling pH and Chlorine correction. Suitable for use with redox or amperometric probes, this pump is extremely versatile.



Features

- Backlit digital display ensuring accuracy in setting and monitoring.
- Proportional or On/Off operation optional.
- 0ppm - 14 ppm pH control.
- 1000mV -1400mV (Redox).
- Ranges for free chlorine reading as follows:
 - 0ppm - 2ppm
 - 0ppm - 20ppm (normal setting when used with closed and open cell Chlorine probes)
 - 0ppm - 200ppm
 - 4 - 20mA output
- Alarm output.
- 0 -100 c manual/automatic temperature compensation.
- Flow or level control.
- Choose between foot mounted or wall mounted versions.
- Pump head and control panel are on the same side, providing convenience.
- Slow maximum strokes rate of 120 strokes/minute ensures check valve stability and prevents overheating.
- IP65 rated pump housing is constructed of mica-filled Polypropylene.
- Standard operating voltage: 230 V/240 V AC, 50 Hz/60 Hz, 1 phase.
- Other models up to 20L/Hr available on request.
- As standard the pump head is suitable for use with 4 mm/6 mm pipe.
- A head suitable for use with Calcium Hypochlorite is available; please specify at time of ordering.

Stock Code

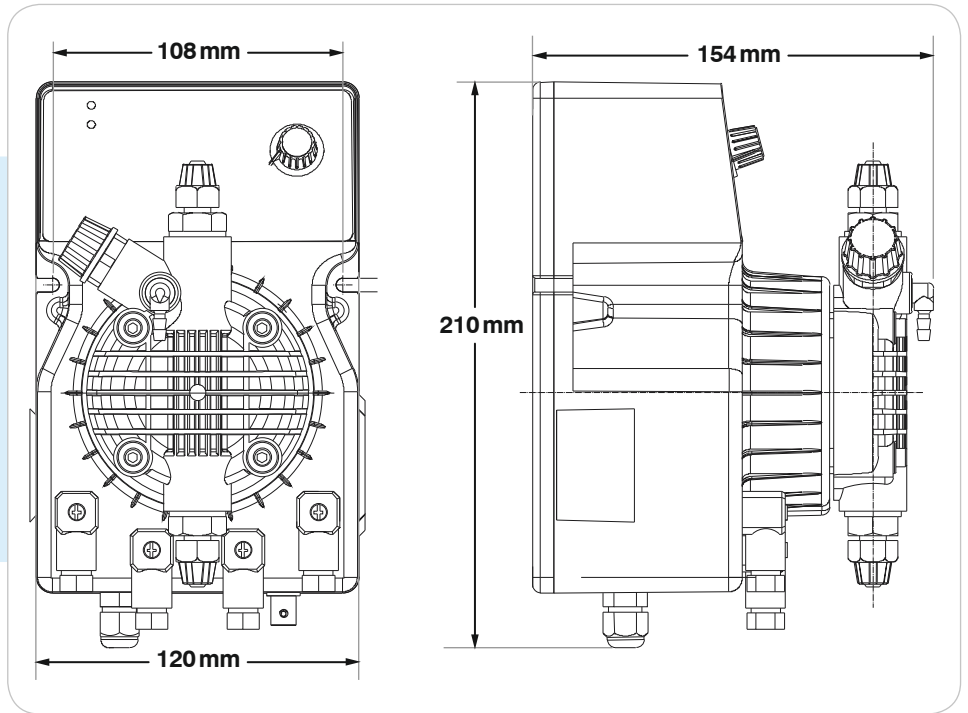
21 06 639 110

Supplied with

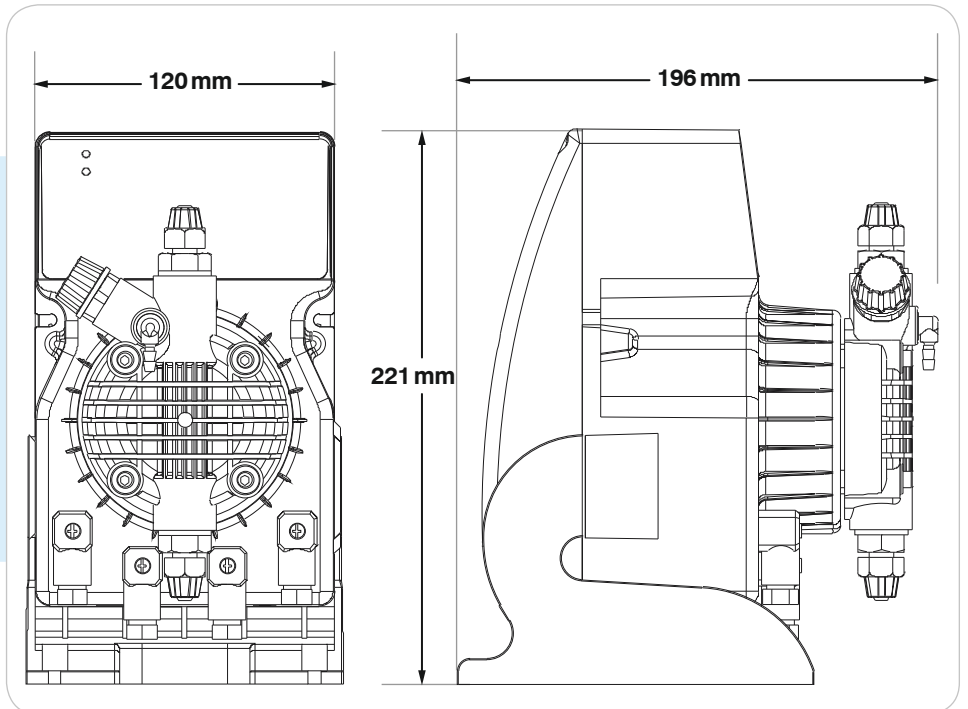
- Foot valve
- Injector
- 2 metre suction and delivery pipe

Flow	Pressure
5 L/Hr	7 Bar
1 L/Hr	15 Bar
15 L/Hr	4 Bar

**DLX
Dimensions
(wall mounted)**



**DLX
Dimensions
(foot mounted)**



BT MA/M Solenoid Pump

New generation microcontroller dosing pump. The BT range is suitable where large flows are required for larger pools, and water features may also be included.



Features

- Manual air bleed head.
- Manual adjustment of flow using two scales; 0 - 20% or 0 - 100%.
- Allows finer control of dosing rates therefore better water balance and sanitisation.
- Level control function.
- Wall mounting. (Foot mounting [BTB] available as an option).
- Aluminium casing protected with PTFE.
- IP65 ratings.
- Polycarbonate control panel cover protection.
- Standard power supply.
- Standard operating voltage: 240 V AC, 50 Hz/60 Hz, 1 phase.
- Flow rates up to 80 L/Hr available on request.
- The head on the 30, 50 and 80 litre pumps are suitable for use with Calcium Hypochlorite.

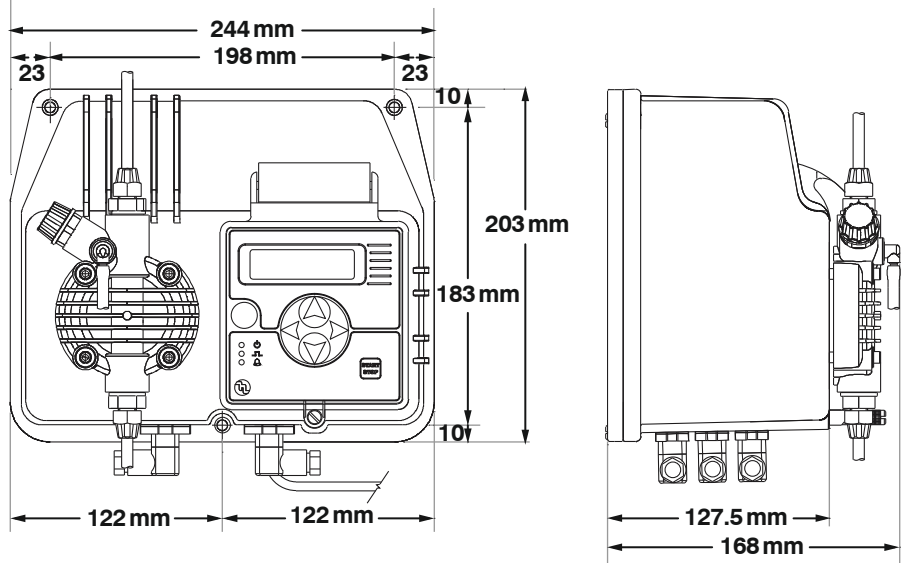
Stock Code

21 06 678 060

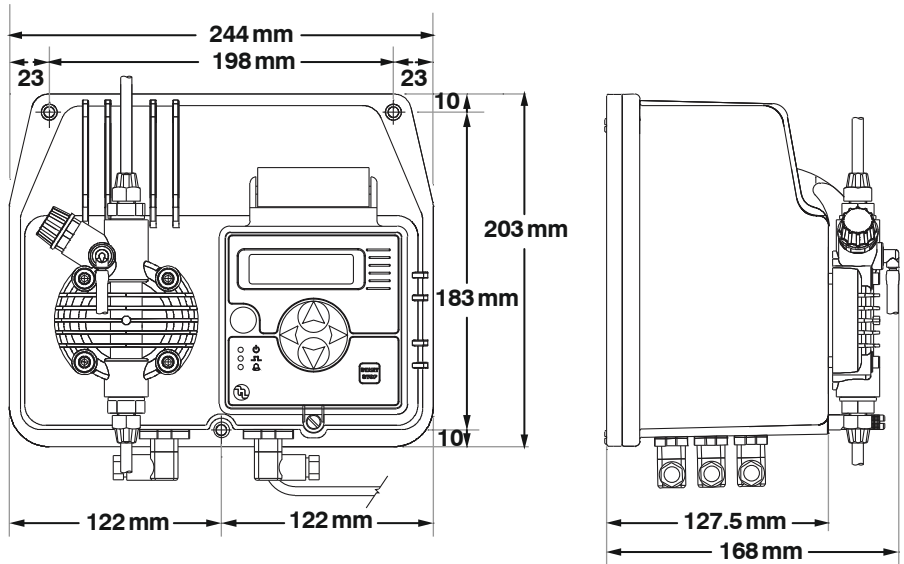
Supplied with

- Foot valve
- Injector
- 2 metre suction and delivery pipe

**BT MA/M
Dimensions
(wall mounted)**



**BT MA/M
Dimensions
(foot mounted)**





Control Panels

The AG-Select range is our top of the line, high-tech microprocessor based controllers and are designed to measure and control pH, redox (redox potential) and chlorine.

This range of controllers includes the measurement of hydrogen peroxide, peracetic acid and chlorine dioxide.

These controllers are highly flexible and can be configured to measure any of the above mentioned parameters, by means of one of our wide range of ion-selective sensors.

Several power supply options are available: 24V/230V AC 50Hz/60Hz, 20V/48V DC.

All AG-Select B units have been designed to ensure a high level of accuracy and reliability. Furthermore, they are supplied with a large selection of outputs and control settings, featuring simple calibration procedures.

They have been designed for use in processes such as water treatment, swimming pools, chemical industrial processes, food and beverage industries. Two types of menus are provided: a basic mode allows the user to control only basic functions, while the expert mode allows access to the full set of functions.

The E.Co series controllers are units designed to measure, control and regulate the pH, redox (ORP), conductivity and free chlorine values. Typical applications are water treatment, chemical process, cooling towers, steam towers, aqueducts, industrial process and swimming pools.

All our controllers comply with CE certification.

AG-Select Panel Controllers

The AG-Select series is a range of water treatment controllers for pH, ORP, conductivity or chlorine. Microprocessor based electronics providing versatility in operation.



Features

- Capable of measuring up to three water conditions simultaneously, by receiving the information from the appropriate probe.
- The panels utilise full microprocessor technology and incorporate a backlit alphanumeric LCD display.
- All settings are adjusted using the touch pad keys on the face of the panel.
- Backlit LCD screens.
- Each output relay is controlled by its own independently adjusted set point (on/off level, upwards/downwards control).
- Outputs include dry-contact relays (for the control of auxiliary equipment, eg. metering pumps, solenoid valves, etc) and two 4-20 mA current signals.
- Appropriate probes/electrodes need to be connected (probes/electrodes supplied as option).
- Serial output for computer connection.
- Daily/weekly timer for auxiliary dosing eg. PAC.
- SD card port to allow data retrieval (card not included).
- Two point probe calibration.
- Automatic/manual temperature compensation.
- Two independent set points for each reading.
- Hysteresis setting.
- Delayed activation setting.

Stock Code

21 06 639 010 (B1)

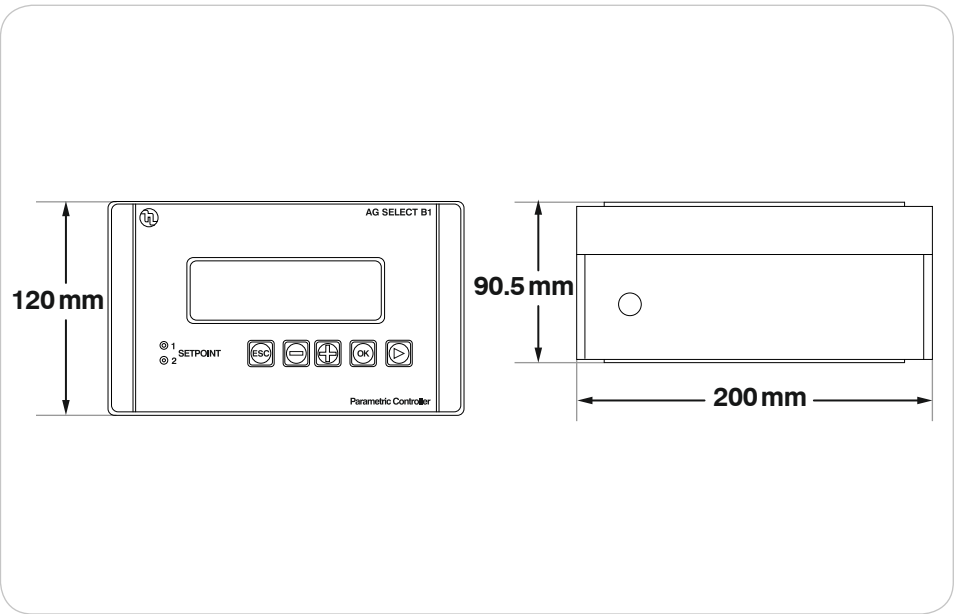
21 06 639 020 (B2)

21 06 639 030 (B3)

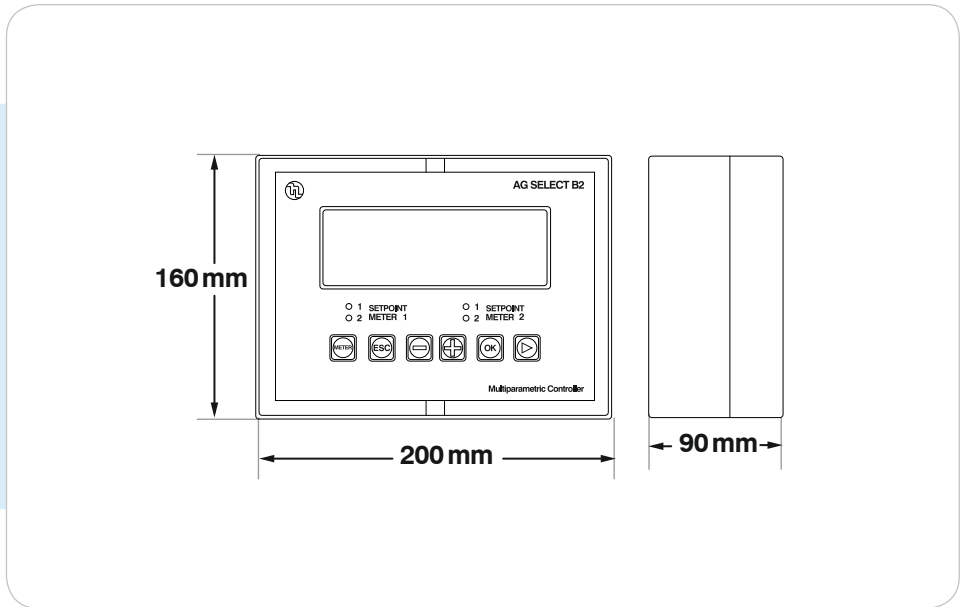
Model Specifications

- Model B1:
1 measuring parameter
- Model B2:
2 measuring parameters
- Model B3:
3 measuring parameters

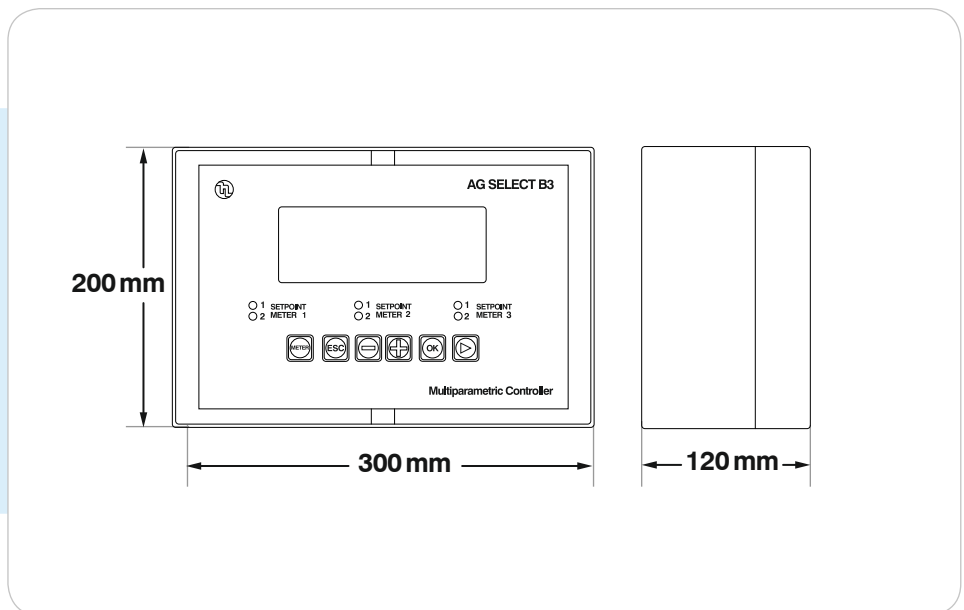
**AG-Select
B1 Controller
Measurements**



**AG-Select
B2 Controller
Measurements**



**AG-Select
B3 Controller
Measurements**



E.Co Controllers

The E.Co controller is available as a cost effective solution to control one of three water conditions: pH, redox or free chlorine (with an amperometric copper platinum probe only).



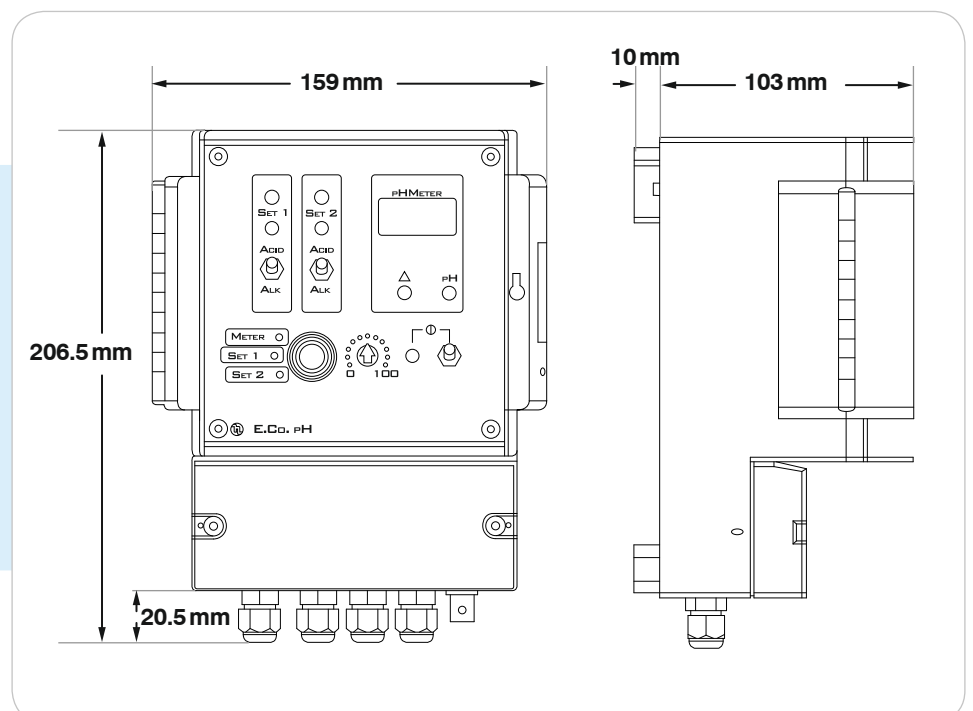
Features

- Simple to use manual controls with numeric display of reading.
- Conformed to CE certification.
- 7 segments display.
- Two set points.
- Independent adjustment.
- 2 free potential outputs.
- 4 – 20mV output.
- Manual temperature compensation (pH and CD units).
- Standard power supply: 230 V ($\pm 10\%$) 50 Hz/60 Hz.
- Measurement of either:
 - pH: range 0 - 14
 - Redox: range ± 1.400 mV
 - Free Chlorine: range 0 ppm - 10 ppm

Stock Code

21 06 639 210 (Redox)

E.Co Controller Measurements





Domestic Proportional Pump Dosing Kits

A range of self contained dosing systems, suitable for use with spas and domestic pools.

The durable operation characterises these pumps with the pump head and control panel on the same side, providing easy setting and operation.

The MyPool dosing system is a reliable and robust cost effective solution for pH and/or redox, and can control the maximum allowed working time for the peristaltic pump to prevent overdosing.

This pump has a LED indicator alarm display, automatic level control for dosing isolation with visual indication, and a large digit display for pH/redox values.

Easy installation with a quick pump priming button and is simple, effective and safe to use.

The DLX pump dosing kit comes complete with a microprocessor wall mounted DLX or foot mounted DLXB dosing pump, with pH and redox (mV) control and regulation, and has a clear backlit LED display.

This pump is supplied with manual air bleed pump head, and has anti-acid plastic casing.

All our pumps have IP65 protection.

MyPool B Pump Dosing Kit

Ideally suited for domestic pools or spas up to 100m³, the MyPool is a simple, reliable and robust solution for pH and/or redox control.



Features

- A reliable and robust cost effective solution for pH and/or redox.
- MyPool B can control the maximum allowed working time for the peristaltic pump to prevent overdosing.
- LED indicator alarm display.
- Automatic level control for dosing isolation with visual indication (probe not included).
- Easy installation with a quick pump priming button.
- Simple, effective and safe to use.
- IP65 rated.
- Quiet in operation peristaltic pump.
- Large digit display for pH/redox values.
- On/Off or proportional dosing control.
- Limited operation period to prevent overdosing.
- Quick prime button.
- Measurement range:
 - pH: 0 – 14
 - Redox: 0 – 1000 mV

Stock Code

21 06 678 420 (Redox)

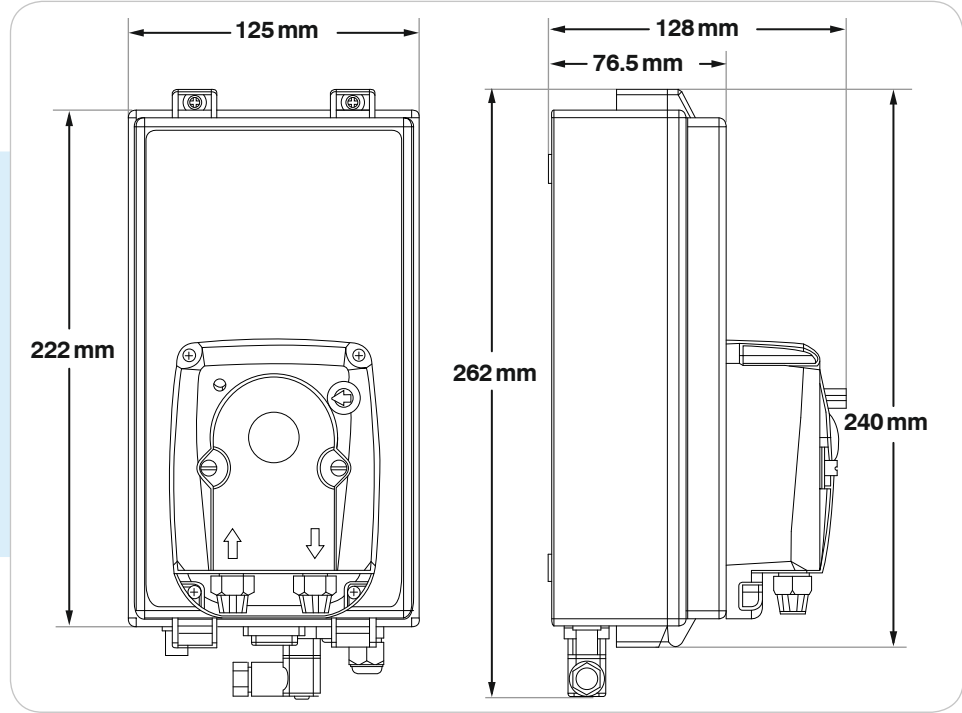
21 06 678 425 (pH)

MyPool Kit Contents

- Foot valve
- Injector
- 2 metre suction and delivery pipe
- Measurement probe
- Saddle clamps for injector and probe
- Probe buffer solutions



MyPool B Measurements



DLX Pump Dosing Kit

These kits offer a simple and easy method to achieve accurate pool water chemistry control, with the benefit of full proportional dosing.



Features

- Suitable for the larger domestic pool, or a commercial pool of 100m³ – 600m³.
- Wall mounted DLX or foot mounted DLXB dosing pumps.
- Microprocessor dosing pump with pH, redox (mV), control and regulation.
- Pump supplied with manual air bleed pump head.
- Level control capability.
- Anti-acid plastic casing.
- Clear backlit LCD display.
- On/Off or proportional dosing modes.
- Optional level probe input.
- Measuring range:
 - pH: 0 – 14
 - Redox: 1000 – 1400 mV
- IP65 protection.
- Standard power supply: 230V - 50 Hz/60 Hz

Stock Code

Pools up to 250m³

21 06 678 520 (Redox)

21 06 678 525 (pH)

Pools up to 600m³

21 06 678 550 (Redox)

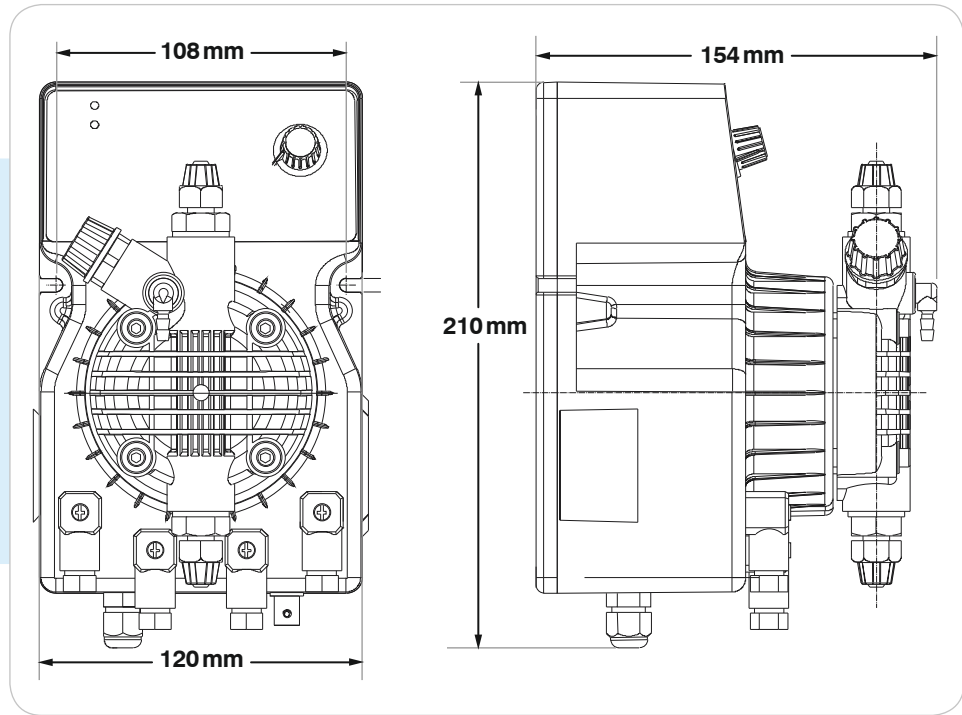
21 06 678 555 (pH)

DLX Kit Contents

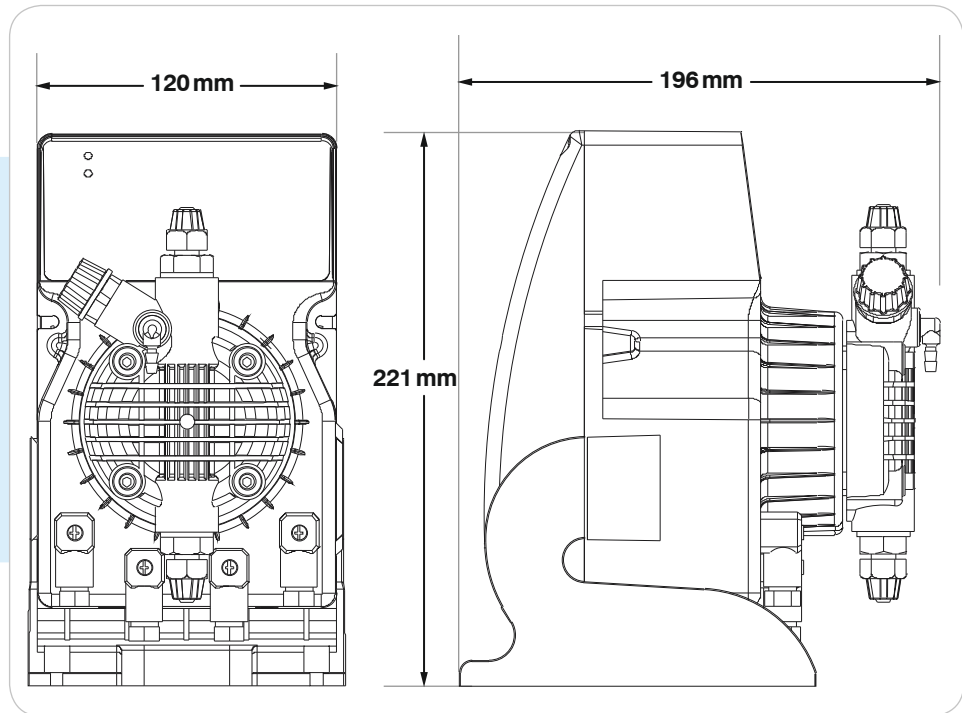
- Foot valve
- Injector
- 2 metre suction and delivery pipe
- Probe
- Saddle clamps for injector and probe
- Probe buffer solutions



**DLX
Dimensions
(wall mounted)**



**DLX
Dimensions
(foot mounted)**





Automatic Chemical Control Systems

A range of fully automatic dosing systems.

Choose from a multiparametric controller based system or a DLX controller system.

Control and regulation instruments comes complete with dosing pump and pH, redox (ORP) or conductivity controller built into one compact unit, level alarm, cooling towers controller, multiparameter photometric analyser, pH; redox (ORP); free Chlorine residual; and conductivity.

The AG-Select multiparametric controller gives you full control over a large amount of parameters including data recording onto an SD card, serial output, free software if required.

The DLX controller system is suitable for all domestic and small commercial applications.

Hydrogen Peroxide Dosing System

A non chlorine based dosing system suitable for domestic pools.



Features

- Control and regulation of pH with hydrogen peroxide on timed dosing.
- Size: 410mm high x 600 mm wide.

Stock Code

21 06 999 500

Supplied With

- Controller (1 channel)
- Peristaltic pumps
- In-line filter
- pH probe holder
- Suction lance
- Saddle clamps

AG-Select Controller Dosing Systems

Fully automatic dosing system, suitable for all applications. Choose from three systems.



AG-Select Redox/pH System

- Control and regulation for pH and Redox.
- Size: 450 mm wide x 600 mm high

Supplied With

- Control panel (2 channel)
- Double union ball valves:
 - 4 mm x 6 mm
 - 10 mm x 14 mm
- 150 micron water filter
- Probe holder with proximity switch and flow adjustment
- pH probe
- Redox probe
- Buffer solutions:
 - pH 7
 - pH 9
 - Redox 650 (mV)
- Connections for two dosing pumps

AG-Select Free Chlorine (open cell)/pH System

- Control and regulation for free inorganic chlorine and pH
- Size: 450 mm wide x 600 mm high

Supplied With

- Control panel (2 channel)
- Double union ball valves:
 - 4 mm x 6 mm
 - 10 mm x 14 mm
- 150 micron water filter
- Probe holder with proximity switch and flow adjustment
- pH probe
- Copper/platinum free chlorine probe
- Buffer solutions:
 - pH 7
 - pH 9
- Connections for two dosing pumps

AG-Select Free Chlorine (closed cell)/pH System

- Control and regulation for free inorganic chlorine and pH
- Size: 450 mm wide x 600 mm high

Supplied With

- Control panel (2 channel)
- Double union ball valves:
 - 4 mm x 6 mm
 - 10 mm x 14 mm
- 150 micron water filter
- Probe holder with proximity switch and flow adjustment
- pH probe
- Ion chlorine probe (free inorganic and organic)
- Buffer solutions:
 - pH 7
 - pH 9
- Connections for two dosing pumps

Stock Code

21 06 999 200

Stock Code

21 06 999 225

Stock Code

21 06 999 250

DLX Controller/ Pump Dosing Systems

Suitable for domestic and small commercial applications. Suitable for pools up to 250m³. A larger version is available upon request. Choose from three systems.



DLX Redox/pH Pump System

- Control and regulation for pH and Redox.
- Size: 450mm wide x 600mm high

Supplied With

- 2 x DLX pH – Redox/Chlorine proportional solenoid pump
- Double union ball valves:
 - 4mm x 6mm
 - 10mm x 14mm
- 150 micron water filter
- Probe holder with proximity switch and flow adjustment
- pH probe
- Redox probe
- Buffer solutions:
 - pH 7
 - pH 9
 - Redox 650mV

DLX Free Chlorine (open cell)/pH System

- Control and regulation for free inorganic chlorine and pH
- Size: 450mm wide x 600mm high

Supplied With

- 2 x DLX pH – Redox/Chlorine proportional solenoid pump
- Double union ball valves:
 - 4mm x 6mm
 - 10mm x 14mm
- 150 micron water filter
- Probe holder with proximity switch and flow adjustment
- pH probe
- Copper/platinum free chlorine probe
- Buffer solutions:
 - pH 7
 - pH 9

DLX Free Chlorine (closed cell)/pH System

- Control and regulation for free inorganic chlorine and pH.
- Size: 450mm wide x 600mm high

Supplied With

- 2 x DLX pH – Redox/Chlorine proportional solenoid pump
- Double union ball valves:
 - 4mm x 6mm
 - 10mm x 14mm
- 150 micron water filter
- Probe holder with proximity switch and flow adjustment
- pH probe
- Ion chlorine probe (free inorganic and organic)
- Buffer solutions:
 - pH 7
 - pH 9

Stock Code

21 06 999 100

Stock Code

21 06 999 125

Stock Code

21 06 999 150



Accessories

We offer a range of accessories to accentuate our pumps.

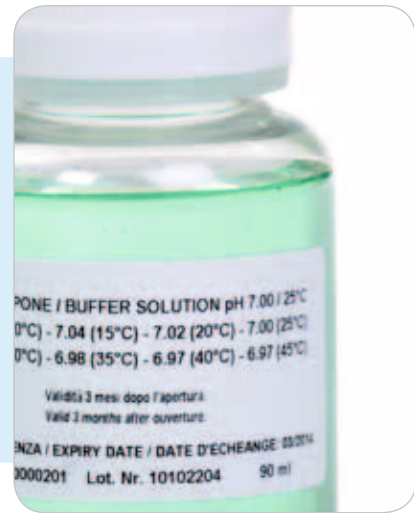
From probes and buffer solutions, to hoses and agitators, you should find what you need.

We also stock a range of safety equipment and clothing, to ensure your safety while handling chemicals and solutions.

Please contact us if you require something you cannot see on the following pages.

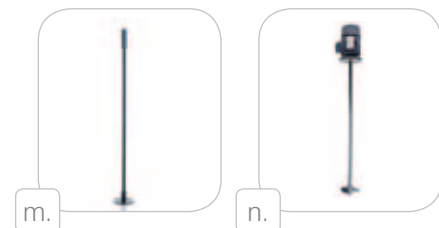
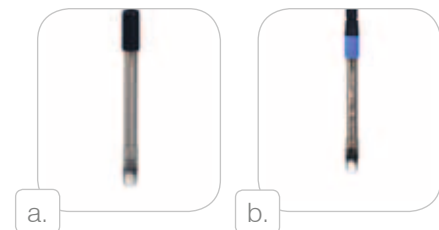
Etatron Accessories

Choose from a range of accessories including probes, buffer solutions, tubing and agitators.



Stock Codes

- | | |
|---|---|
| a. Redox (ORP) Probe
(21 06 680 050) | i. Red/Blue Tube
(21 06 680 000) |
| b. pH Probe (Blue Cap)
(21 06 680 060) | j. Hose Set
(71 06 639 500) |
| c. pH 7 Buffer
(21 06 680 107) | k. Filter Cartridge
(71 29 639 319) |
| d. pH 9 Buffer
(21 06 680 109) | l. Injector
(71 29 639 270) |
| e. Redox 650mV Buffer
(21 06 680 111) | m. Hand Operated Agitator
(suits all day tanks)
(21 22 687 000) |
| f. PVC Delivery Tube - 10 mm x 13 mm (per 30m)
(21 22 680 008) | n. Electric Agitators for 100L Day Tank
(21 22 687 100) |
| g. Low Density Polythene Delivery Tube - 4 mm x 6 mm (per 30m)
(21 22 680 004) | |
| h. Red/Blue Tube
(21 06 680 002) | |



Dosing Tanks

Made in UV stabilised polythene, suitable for use with all water purification chemicals.



Day Tank - 50 Litre

- Capacity: 50L/11 gal
- Diameter: 425 mm
- Height: 500 mm
- Weight: 3.5 kg
- Cap Size: 190 mm
- Aperture: 130 mm

Stock Code

21 22 683 050

Day Tank - 100 Litre

- Capacity: 100L/22 gal
- Diameter: 495 mm
- Height: 700 mm
- Weight: 7.5 kg
- Cap Size: 190 mm
- Aperture: 130 mm

Stock Code

21 22 683 100

Day Tank - 200 Litre

- Capacity: 200L/44 gal
- Diameter: 635 mm
- Height: 785 mm
- Weight: 11 kg
- Cap Size: 190 mm
- Aperture: 130 mm

Stock Code

21 22 683 200

Day Tank - 300 Litre

- Capacity: 300L/66 gal
- Diameter: 660 mm
- Height: 1075 mm
- Weight: 16.5 kg
- Cap Size: 190 mm
- Aperture: 130 mm

Stock Code

21 22 683 300

Day Tank - 500 Litre

- Capacity: 500L/110 gal
- Diameter: 815 mm
- Height: 1100 mm
- Weight: 21 kg
- Cap Size: 270 mm
- Aperture: 195 mm

Stock Code

21 22 683 500

Day Tank - 1000 Litre

- Capacity: 1000L/220 gal
- Diameter: 1065 mm
- Height: 1355 mm
- Weight: 35 kg
- Cap Size: 270 mm
- Aperture: 195 mm

Stock Code

21 22 683 900

Bund Tanks

Designed to accommodate 110% of dosing tank capacity.



Bund Tank - 55 Litre

- Capacity: 55L/13gal
- Diameter: 680mm
- Height: 285mm
- Weight: 2.7kg

Stock Code

21 22 685 050

Bund Tank - 110 Litre

- Capacity: 110L/25gal
- Diameter: 805mm
- Height: 325mm
- Weight: 4kg

Stock Code

21 22 685 100

Bund Tank - 220 Litre

- Capacity: 220L/49gal
- Diameter: 970mm
- Height: 395mm
- Weight: 6kg

Stock Code

21 22 685 200

Bund Tank - 360 Litre

- Capacity: 360L/80gal
- Diameter: 940mm
- Height: 620mm
- Weight: 5.8kg

Stock Code

21 22 685 300

Bund Tank - 550 Litre

- Capacity: 550L/123gal
- Diameter: 1130mm
- Height: 680mm
- Weight: 11kg

Stock Code

21 22 685 500

Bund Tank - 1000 Litre

- Capacity: 1100L/244gal
- Diameter: 1825mm
- Height: 560mm
- Weight: 15kg

Stock Code

21 22 685 900

Safety Equipment and Clothing

Make sure you keep yourself safe while using Etatron products. We stock plenty of safety equipment and clothing.



Stock Codes

o. Eyewash Station - Small
(20 22 690 070)



o.

p. Replacement Eyewash Solution - 2 x 500 ml bottles
(20 22 690 080)



p.

q. Anti Splash Goggles
(20 22 690 030)



q.

r. Health and Safety Kit 1
(20 22 690 060)



r.

Health and Safety Kit 1 contents:

- Half mask respirator
- Goggles
- Gauntlets
- Apron
- Wellingtons
- Holdall

